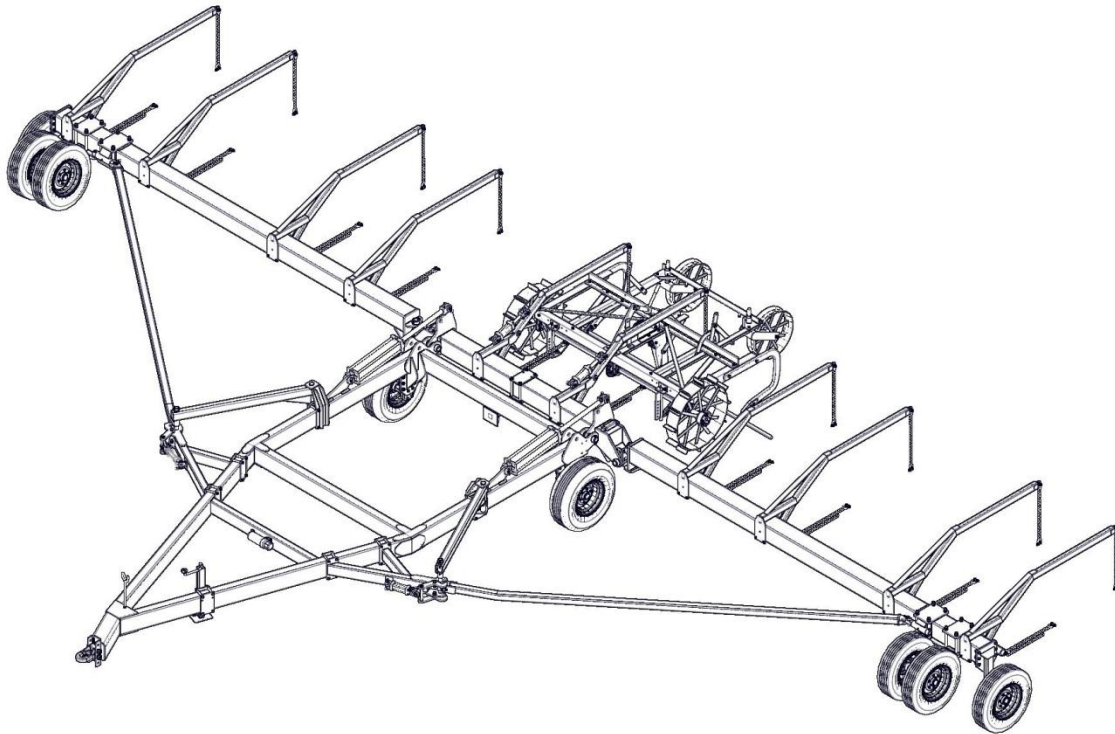


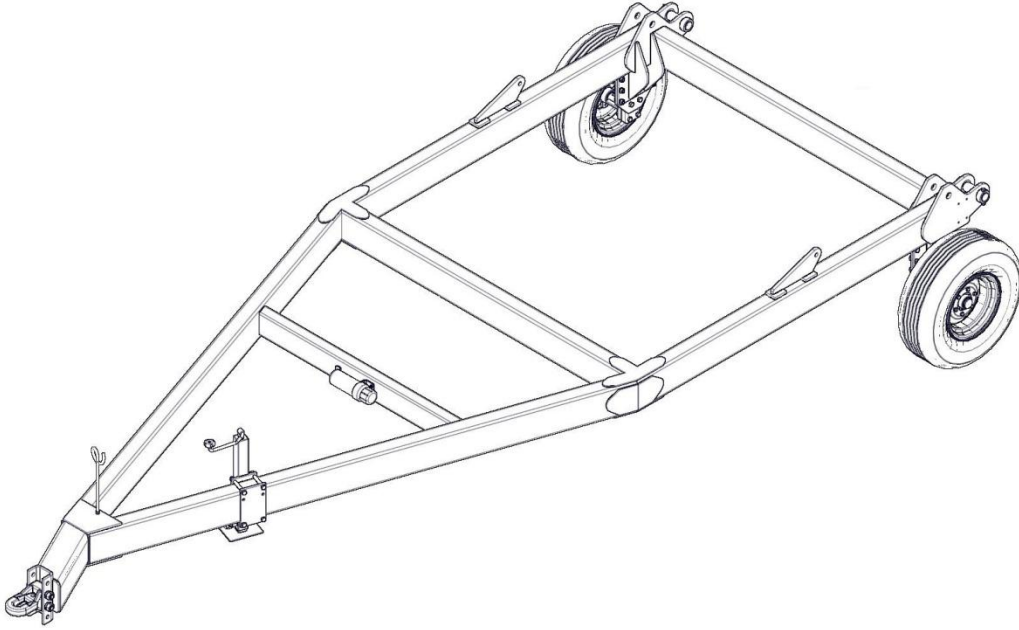
UTILITY HITCH PARTS MANUAL



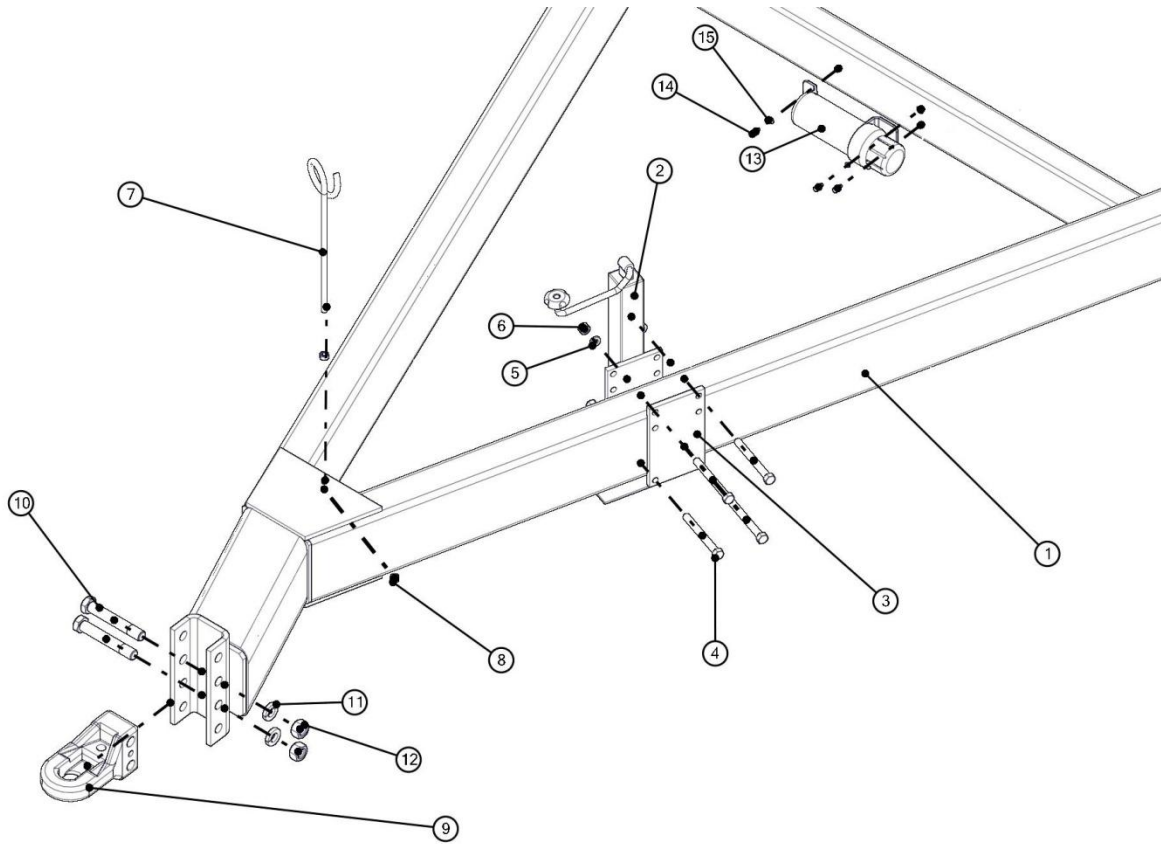
J.E. LOVE COMPANY
LOVE®

309 W. CALIFORNIA STREET
P.O. BOX 188
GARFIELD, WASHINGTON 99130-0188
(509) 635-1321 FAX: (509) 635-1434
www.jeloveco.com

UTILITY HITCH MAIN FRAME

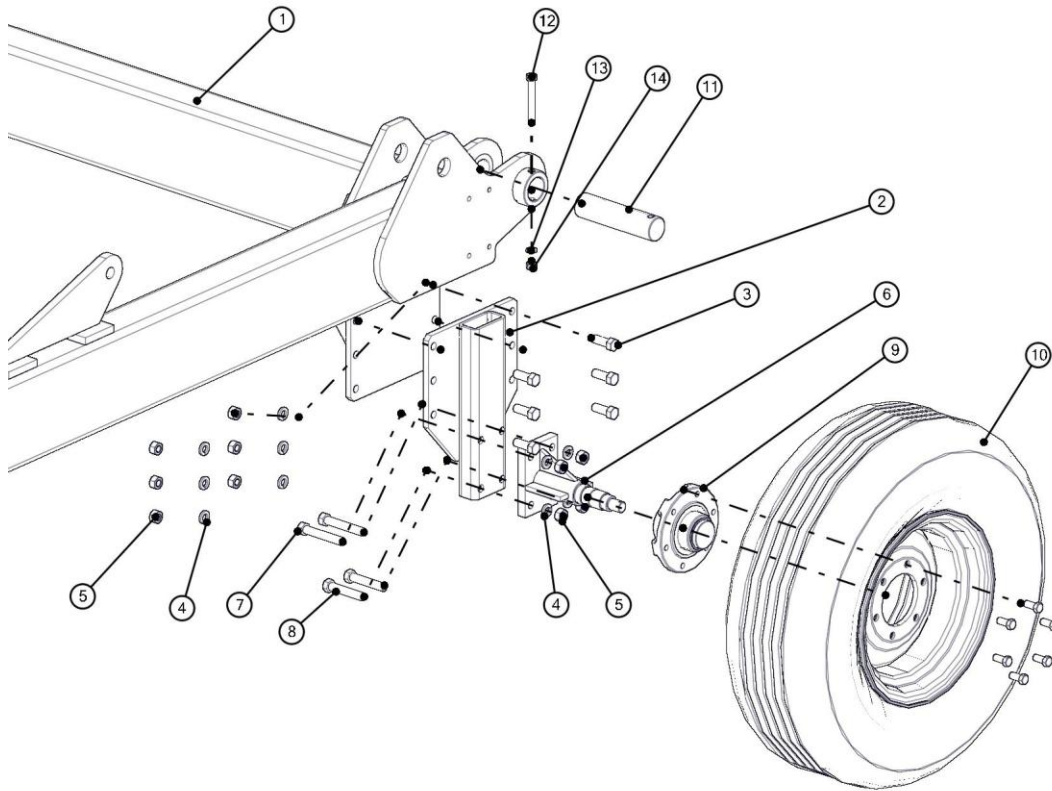


MAIN FRAME TONGUE, JACK



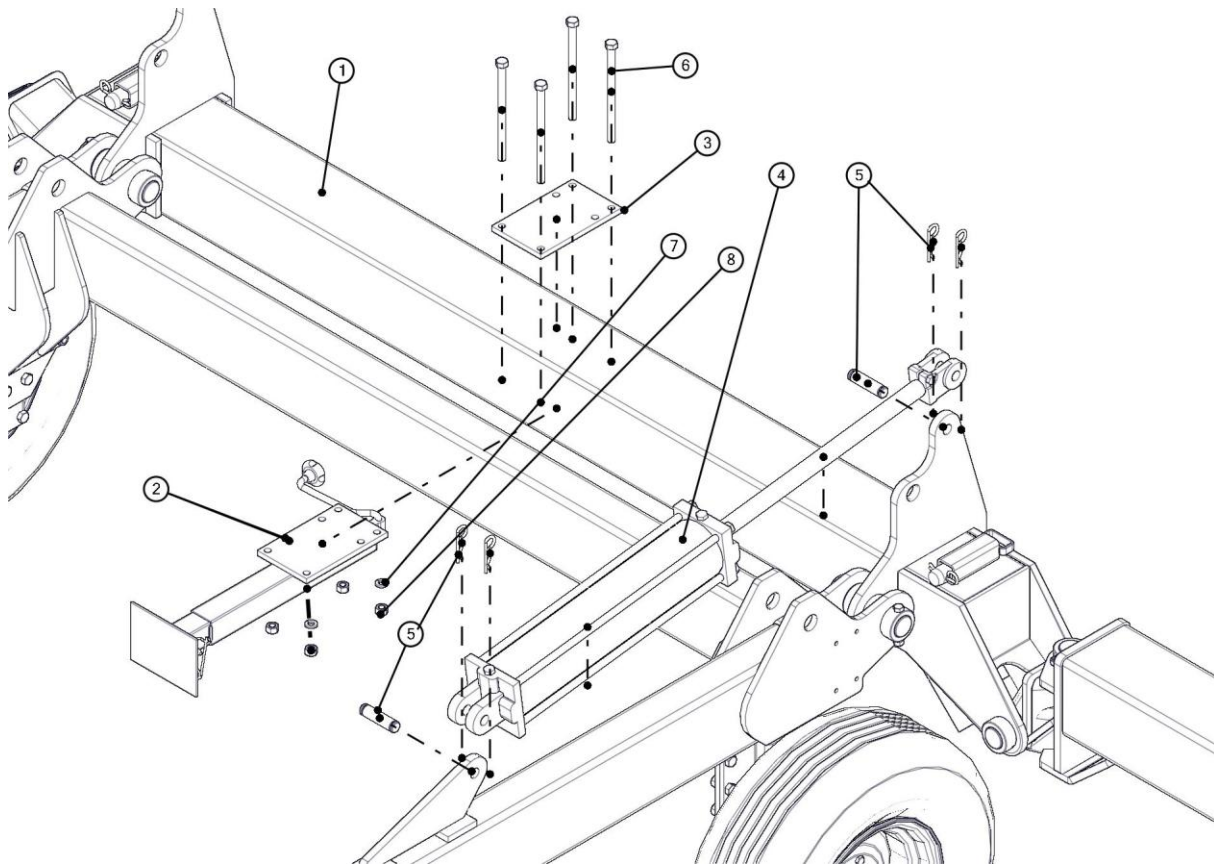
Key	Part Number	Description	Quantity
1	UT050-10	UT MAIN FRAME™	1
2	6329-055	TOPWIND TONGUE JACK	1
3	0400-088	BACKING PLATE	1
4	7114-060	CAP SCREW 5/8" NC	4
5	7844-020	LOCK WASHER 5/8"	4
6	7724-005	HEX NUT 5/8"	4
7	0101-037	HOSE MAST	1
8	7723-015	HEX NUT 1/2"	2
9	7843-015	LOCK WASHER 1/2"	1
10	5929-010	HITCH	1
11	8116-050	BOLT 1" NC	1
12	7846-020	LOCK WASHER 1"	1
13	7726-005	HEX NUT 1" NC	1
14	9499-001	MANUAL CANISTER	1
15	7111-010	HEX CAP SCREW 1/4"	3
16	7841-010	LOCK WASHER 1/4"	3

FRAME WHEEL LEG ASSEMBLY



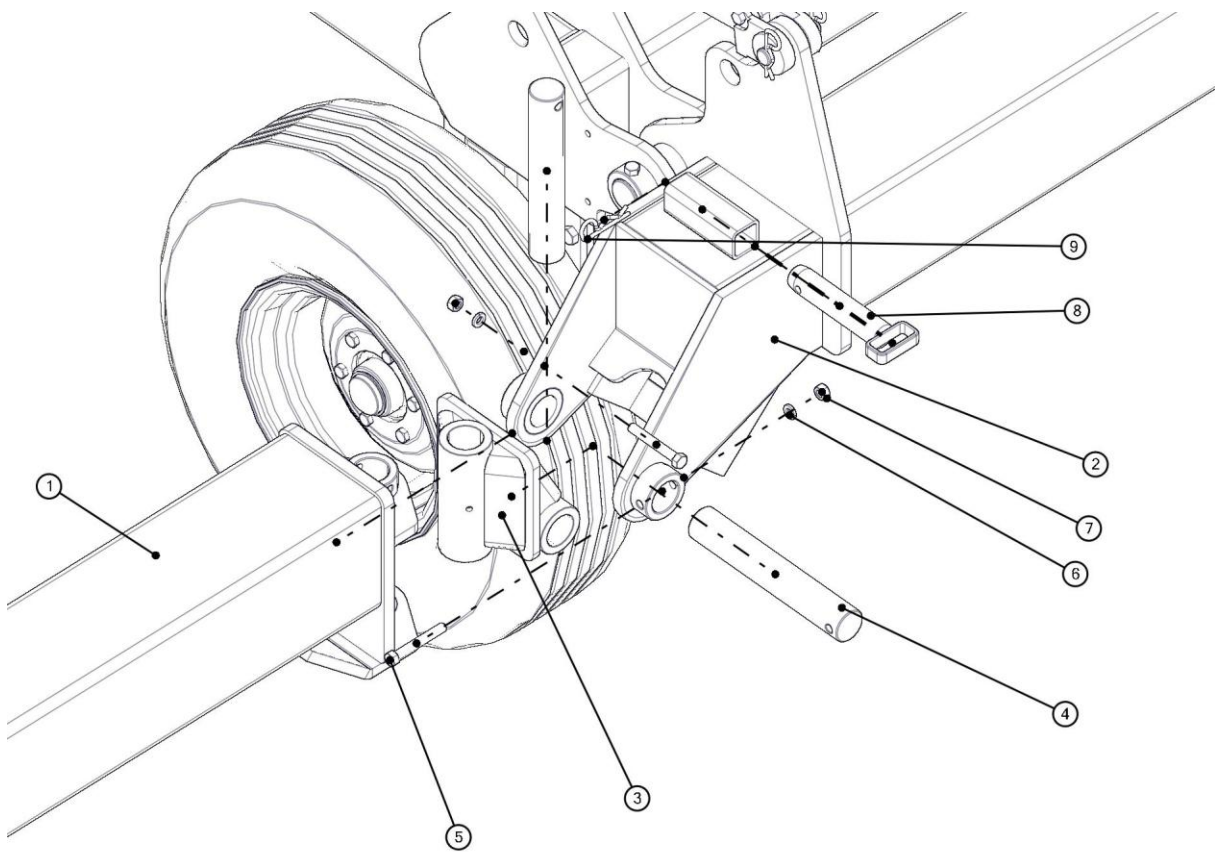
<u>Key</u>	<u>Part Number</u>	<u>Description</u>	<u>Quantity</u>
1	UT050-010	UT MAIN FRAME™	1
2	UT051	WHEEL LEG	2
3	7114-006	CAP SCREW 5/8" NC	12
4	7844-020	LOCK WASHER 5/8"	20
5	7724-005	HEX NUT 5/8" NC	20
6	CWP-034	SPINDLE PLATFORM	2
7	7114-040	CAP SCREW 5/8" NC	4
8	7114-030	CAP SCREW 5/8" NC	4
9	5619-021	6 BOLT HUB ASSY	2
10	5639-027	TIRE AND WHEEL, 11L X 15 8 PLY RIBBED IMP, 6 BOLT	2
11	UT100-029	HINGE PIN	2
12	7113-121	CAP SCREW 1/2" NC	2
13	7843-015	LOCK WASHER 1/2"	2
14	7723-015	HEX NUT 1/2" NC	2

WING CENTER ASSEMBLY



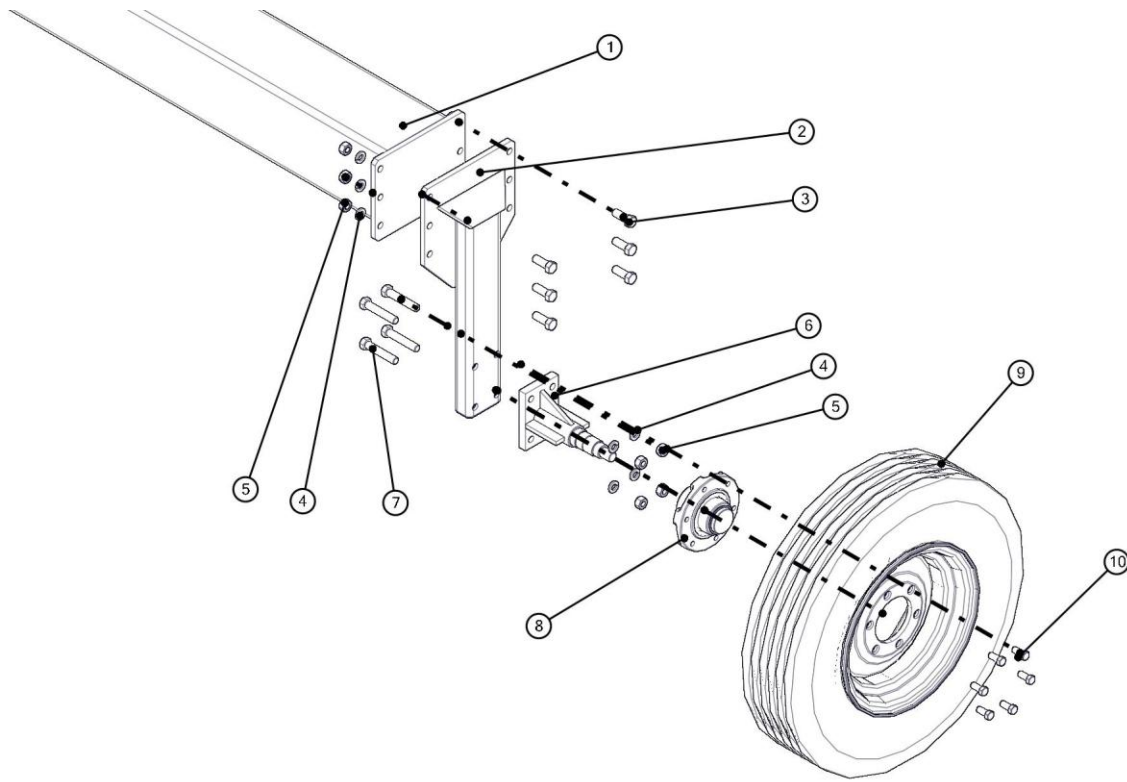
Key	Part Number	Description	Quantity
1	UT200	WING CENTER 5-SECTION	1
	UT201	WING CENTER 7-SECTION	
2	6329-055	REAR TOPWIND JACK	1
3	0400-088	BACKING PLATE	1
4	5818-605	CYLINDER 4 X 24 SAE	2
5	5832-001	CLEVIS PIN KIT	2
6	7114-100	CAP SCREW 5/8" NC	4
7	7844-020	LOCK WASHER 5/8"	4
8	7724-005	HEX NUT 5/8"	4

WING CENTER TO WING ASSEMBLY



Key	Part Number	Description	Quantity
1	UT300	WING 5-SECTION	1
	UT301	WING 7-SECTION	
2	UT200	WING CENTER 5 SECTION	1
3	UT400	HINGE	1
4	UT200-017	HINGE PIN	2
5	7113-121	CAP SCREW 5/8" NC	1
6	7843-015	LOCK WASHER 1/2"	1
7	7723-015	HEX NUT 1/2" NC	1
8	UT204	TRANSPORT LOCK PIN	1
9	7920-002	#8 HITCH PIN	1

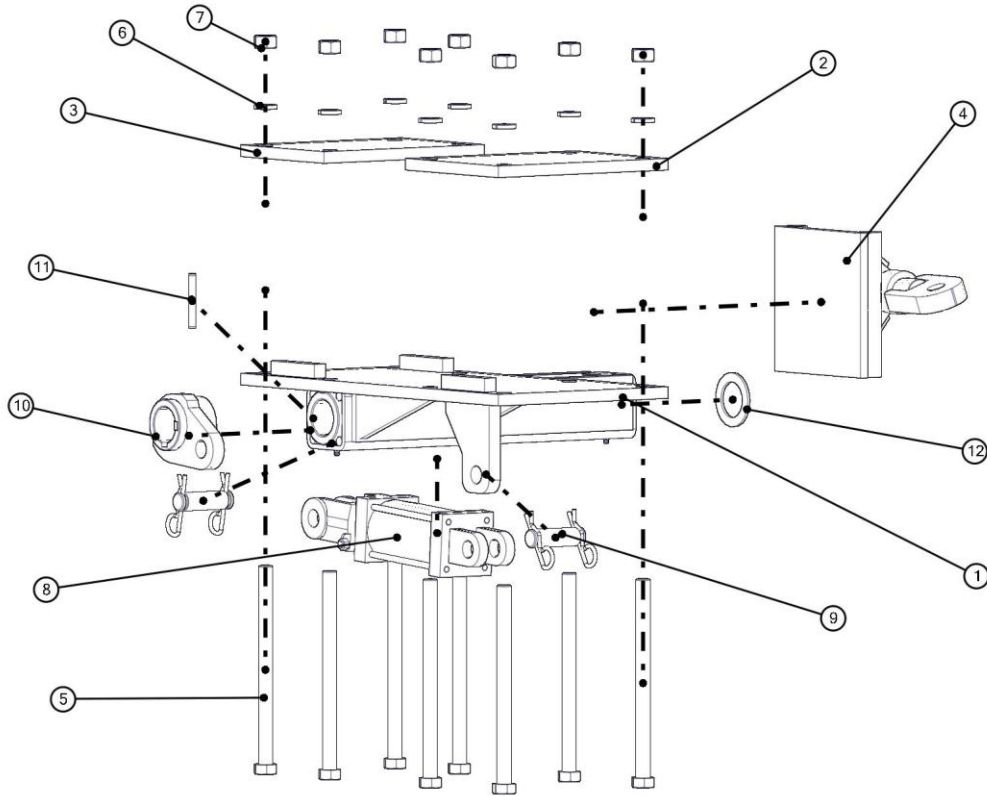
WING FIELD WHEEL LEG ASSEMBLY



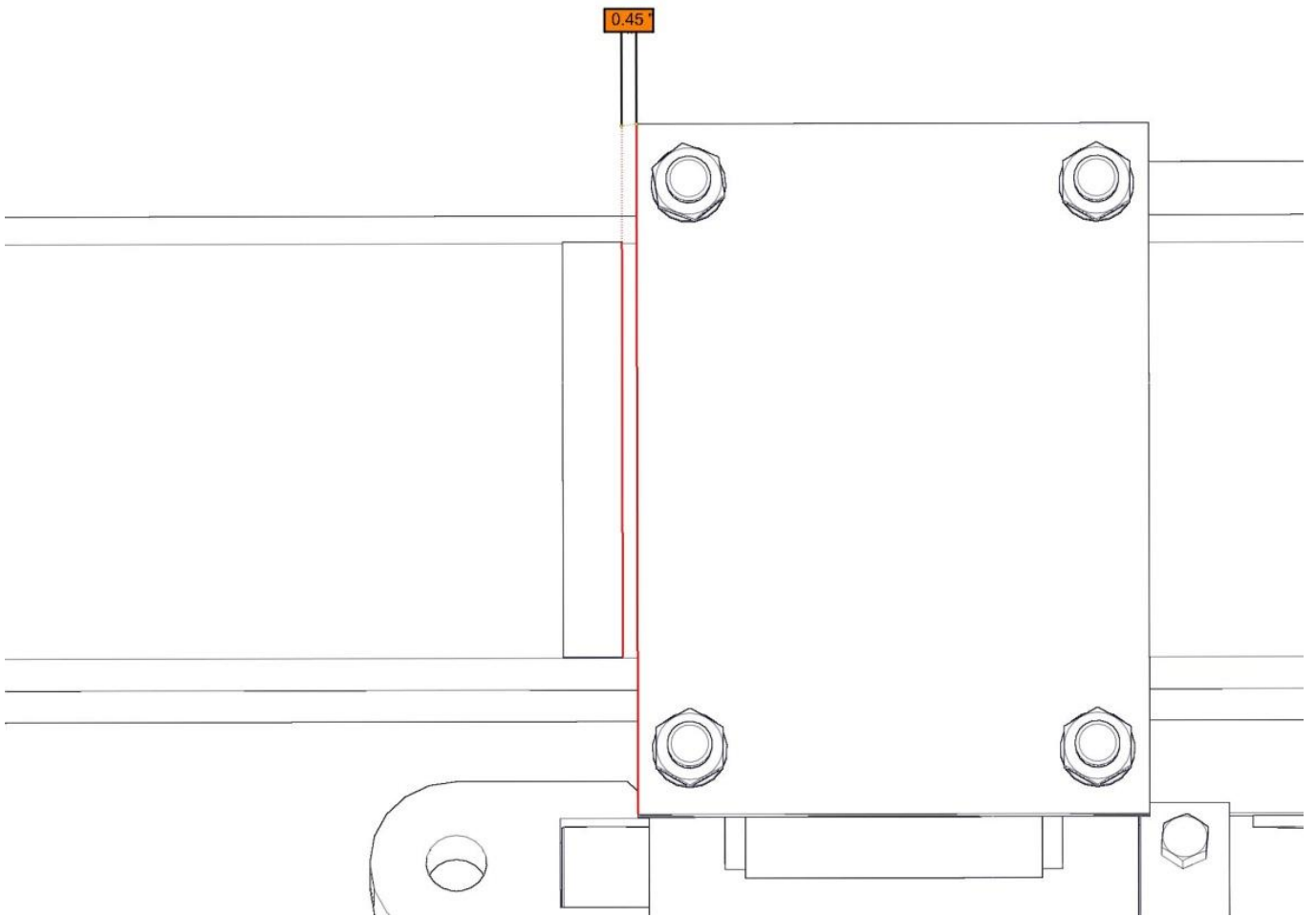
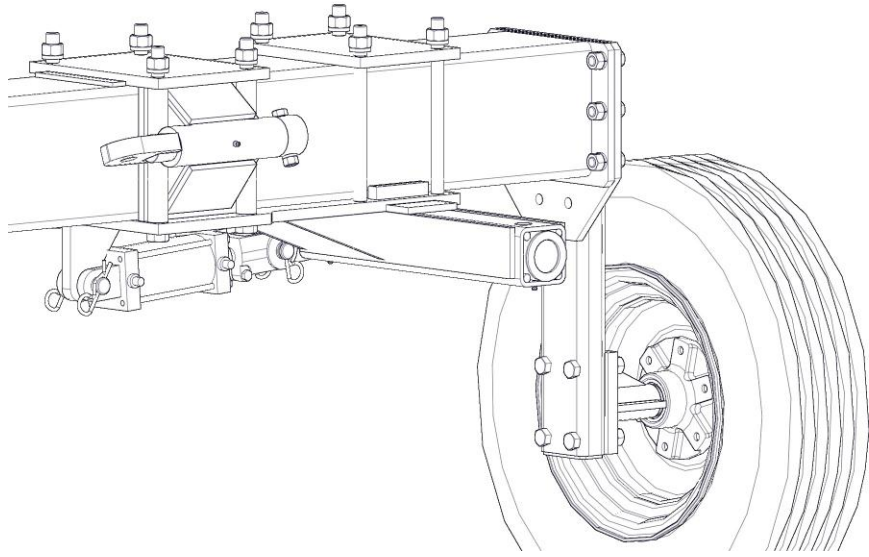
Key	Part Number	Description	Quantity
1	UT300 UT301	WING 5-SECTION WING 7-SECTION	1
2	UT300-020	WHEEL LEG, WING	1
3	7114-006	CAP SCREW 5/8" NC	6
4	7844-020	LOCK WASHER 5/8"	10
5	7724-005	HEX NUT 5/8" NC	10
6	CW9-034	SPINDLE PLATFORM	1
7	7114-030	CAP SCREW 5/8" NC	4
8	5619-021	6 BOLT HUB ASSY	1
9	5639-029	TIRE AND WHEEL, 7.60 X 15 8 PLY 6 BOLT RIBBED IMP	1
10	7333-006	LUG BOLT, 1/2" NF, (INCLUDED IN 5619-021)	6

WING TRANSPORT WHEEL LEG

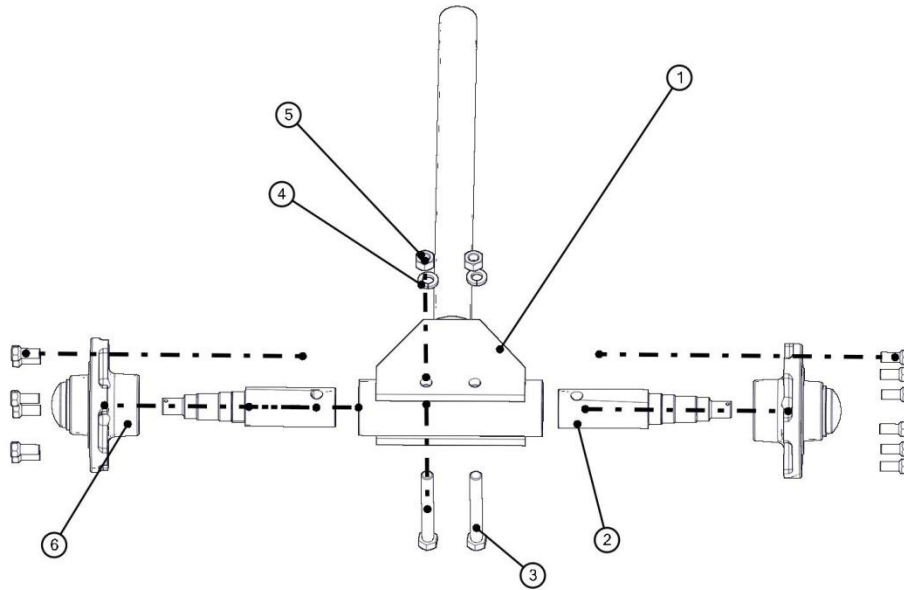
UT370-010 (RH)/UT371-010 (LH) – LEFT HAND SHOWN



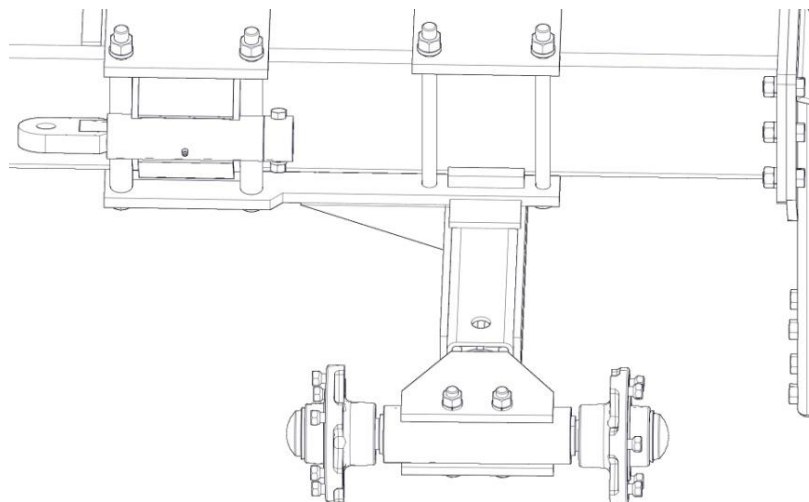
<u>Key</u>	<u>Part Number</u>	<u>Description</u>	<u>Quantity</u>
1	UT370-010 UT371-010	TRANSPORT WHEEL LEG, RH TRANSPORT WHEEL LEG, LH	1
2	UT371-013	PLATE	1
3	UT371-012	PLATE	1
4	UT375	WING PULL ATTACHMENT	1
5	7115-101	CAP SCREW 3/4" NC	8
6	7843-020	LOCK WASHER 3/4"	8
7	7725-002	HEX NUT 3/4" NC	8
8	5818-623	CYLINDER, 3 X 4 SAE	1
9	5832-003	CLEVIS PIN KIT	1
10	UT376-010 UT377-010	CYLINDER LUG, RH CYLINDER LUG, LH	1
11	7022-002	ROLL PIN 3/8"	1
12	7897-050	MACHINE BUSHING	1

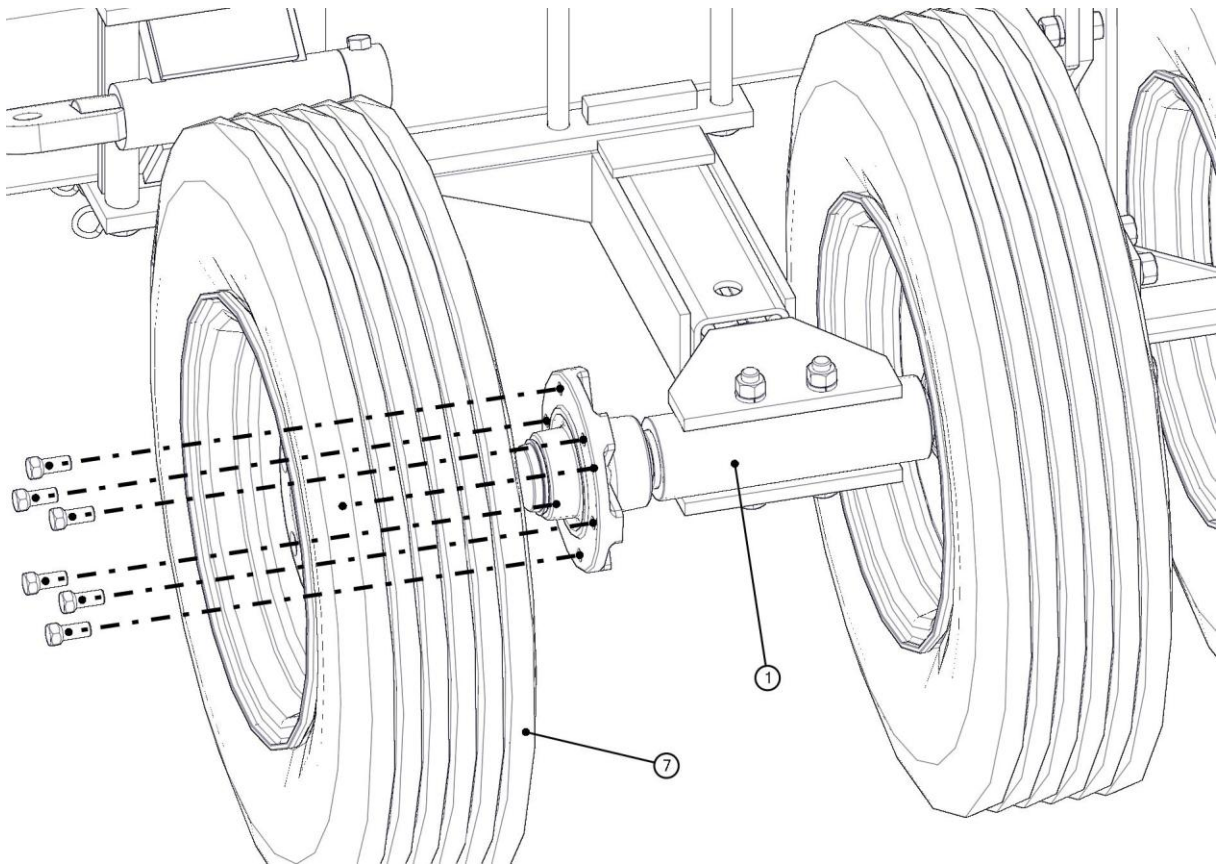


PIVOT SHAFT ASSEMBLY



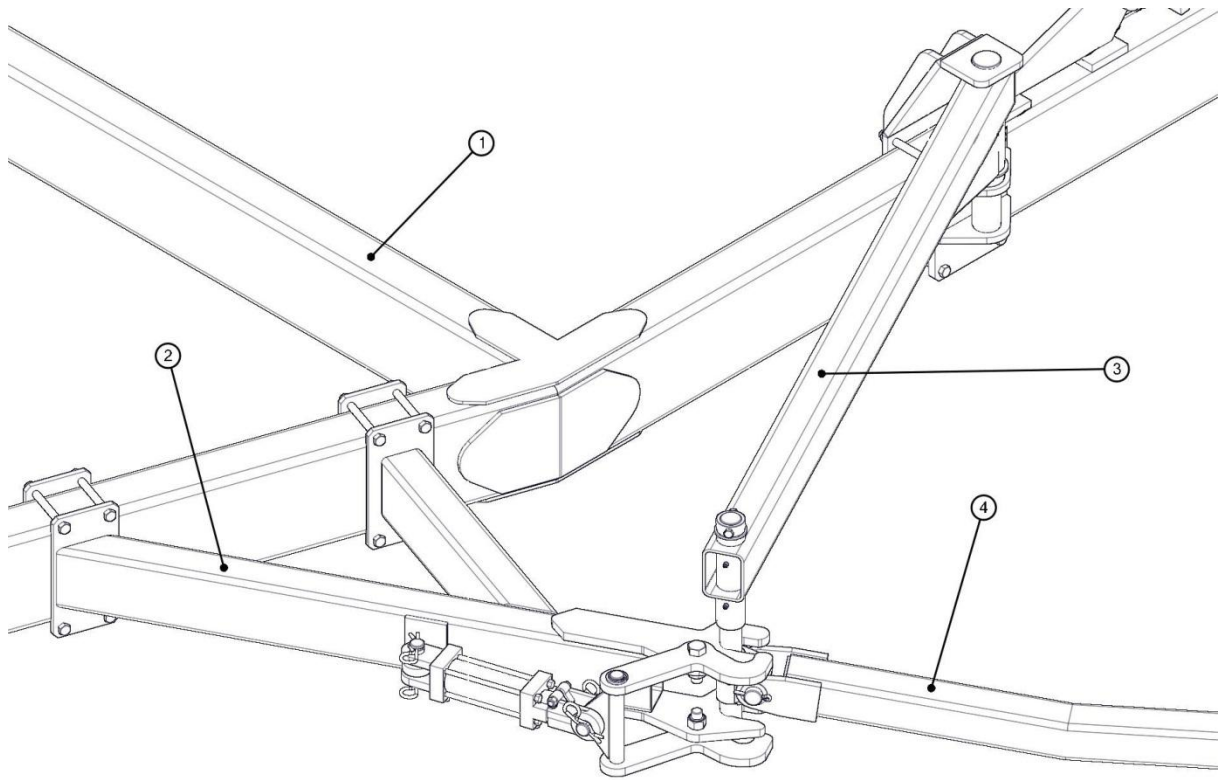
Key	Part Number	Description	Quantity
1	UT372-010	PIVOT SHAFT ASSY	1
2	5629-005	SPINDLE 6 BOLT	2
3	7114-050	CAP SCREW 5/8" NC	2
4	7844-020	LOCK WASHER 5/8"	2
5	7724-005	HEX NUT 5/8" NC	2
6	5619-021	6 BOLT HUB ASSY	2





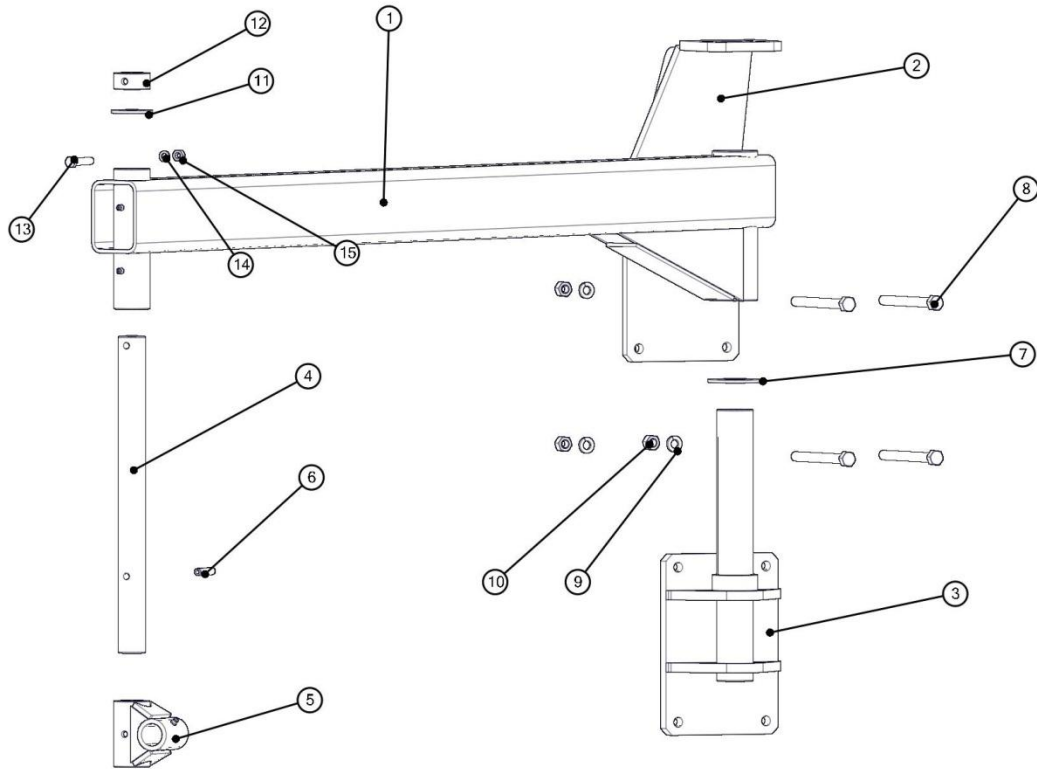
Key	Part Number	Description	Quantity
1	UT372-010	PIVOT SHAFT ASSY	1
2	5639-029	TIRE AND WHEEL, 7.60 X 15, 8 PLY RIBBED IMP, 6 BOLT	2

UTILITY HITCH LATCH ASSEMBLY



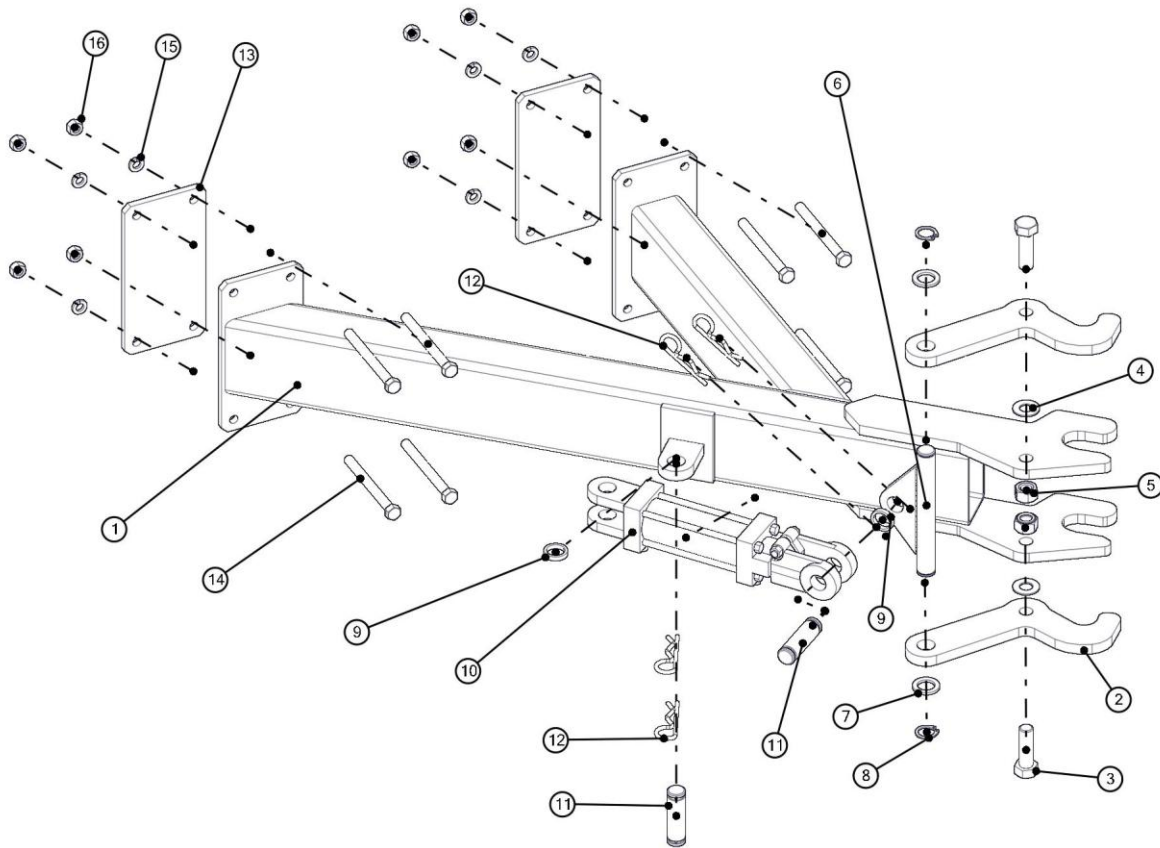
Key	Part Number	Description	Quantity
1	UT050-10	UT MAIN FRAME TM	1
2	6329-055	TOPWIND TONGUE JACK	1
3	0400-088	BACKING PLATE	1
4	7114-060	CAP SCREW 5/8" NC	4

PIVOT ARM ASSEMBLY



<u>Key</u>	<u>Part Number</u>	<u>Description</u>	<u>Quantity</u>
1	UT100-072	ARM, PIVOT	1
2	UT100-071	ANCHOR, PIVOT	1
3	UT100-070	BACKING PLATE	1
4	UT150-015	SHAFT, UT	1
5	UT150-010	WING PULL JOINT	1
6	7022-005	ROLL PIN 3/8"	1
7	7897-050	MACHINE BUSHING	1
8	7113-135	CAP SCREW 1/2" NC	4
9	7843-015	LOCK WASHER 1/2"	4
10	7723-015	HEX NUT 1/2" NC	4
11	7896-500	MACHINE BUSHING	1
12	UT150-016	COLLAR, UT	1
13	7112-066	CAP SCREW 3/8" NC	1
14	7842-010	LOCK WASHER 3/8"	1
15	7722-010	HEX NUT 3/8" NC	1

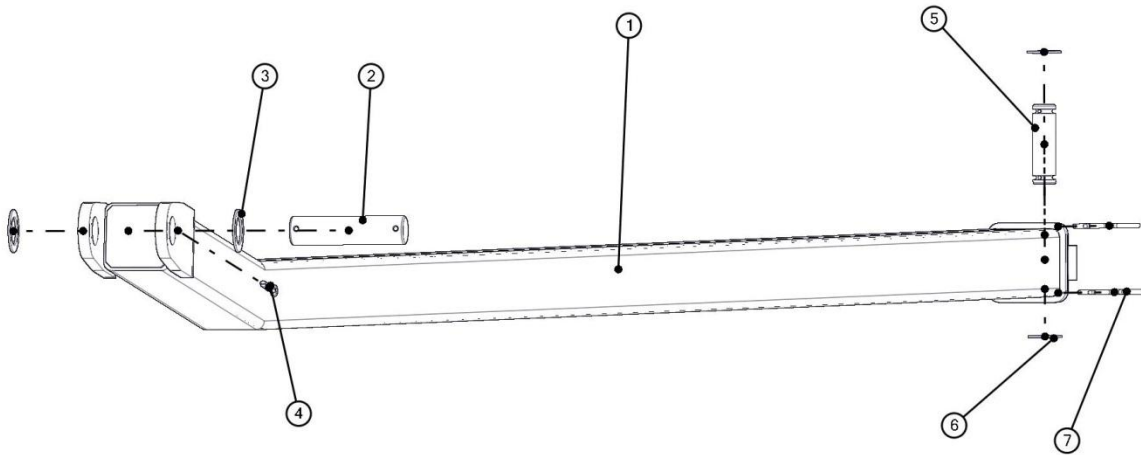
LATCH ASSEMBLY



Key	Part Number	Description	Quantity
1	UT100-081	LATCH BASE	1
2	UT100-061	LATCH	2
3	7115-025	CAP SCREW 3/4" NC	2
4	7815-020	FLAT WASHER 3/4" SAE	2
5	7725-120	LOCK NUT, NYLOCK 3/4" NC	2
6	UT100-060	LATCH PULL PIN	1
7	7896-001	MACHINE BUSHING	2
8	5459-100	SNAP RING	2
9	6143-050	BUSHING	2
10	5818-620	CYLINDER, 2 X 4 SAE	1
11	5832-003	CLEVIS PIN KIT	1
12	7929-002	HITCH PIN CLIP #8 (INCLUDED IN 5832-003)	4
13	UT100-040	BACKING PLATE	2
14	7113-129	CAP SCREW 1/2" NC	8
15	7843-015	LOCK WASHER 1/2"	8
16	7723-015	HEX NUT 1/2" NC	8

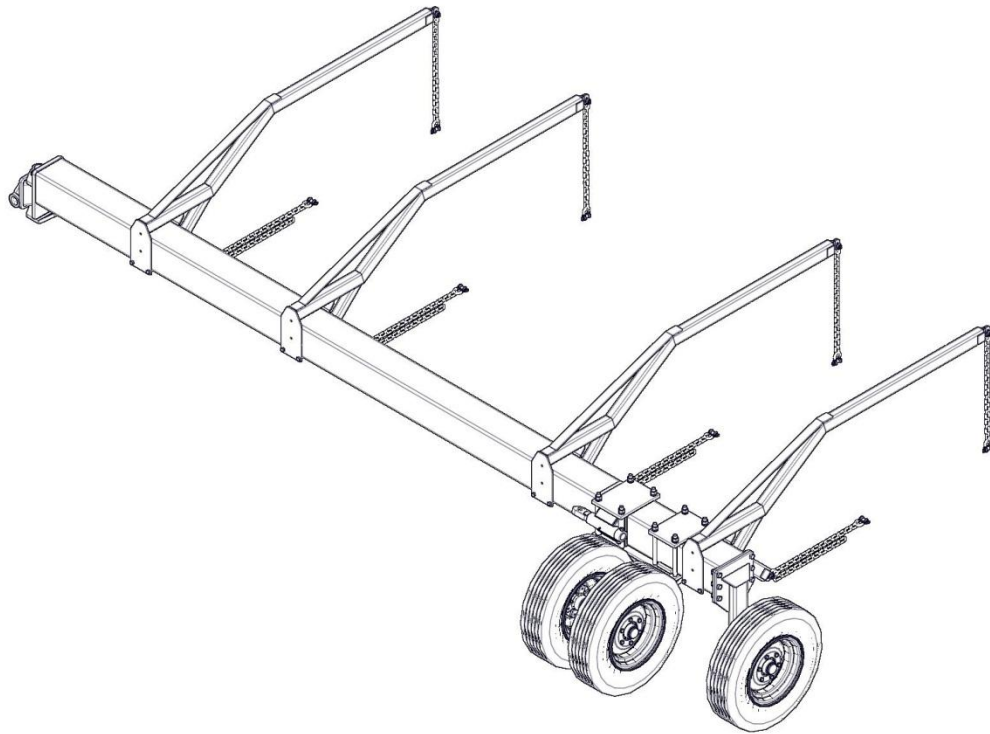
WING PULL ASSEMBLY

UT153 (5 SECTION) / UT154 (7 SECTION)



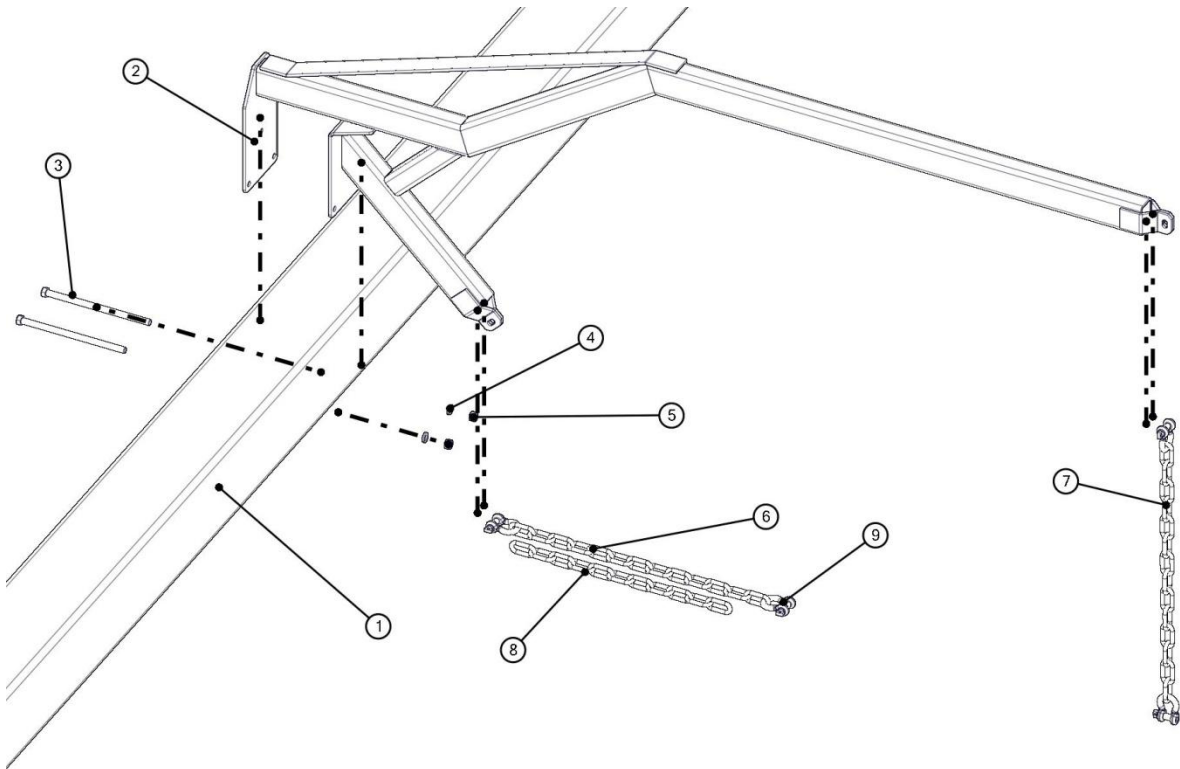
<u>Key</u>	<u>Part Number</u>	<u>Description</u>	<u>Quantity</u>
1	UT153-010 UT154-010	WING PULL 5-SEC WING PULL 7-SEC	1
2	UT153-015	SHAFT	1
3	7896-225	MACHINE BUSHING	2
4	7910-180	COTTER PIN	2
5	5832-003	CLEVIS PIN KIT	1
6	7896-000	MACHINE BUSHING	2
7	7929-002	HITCH PIN #8 (INCLUDED IN 5832-003)	2

OUTER WING CARRIER ARMS ASSEMBLY



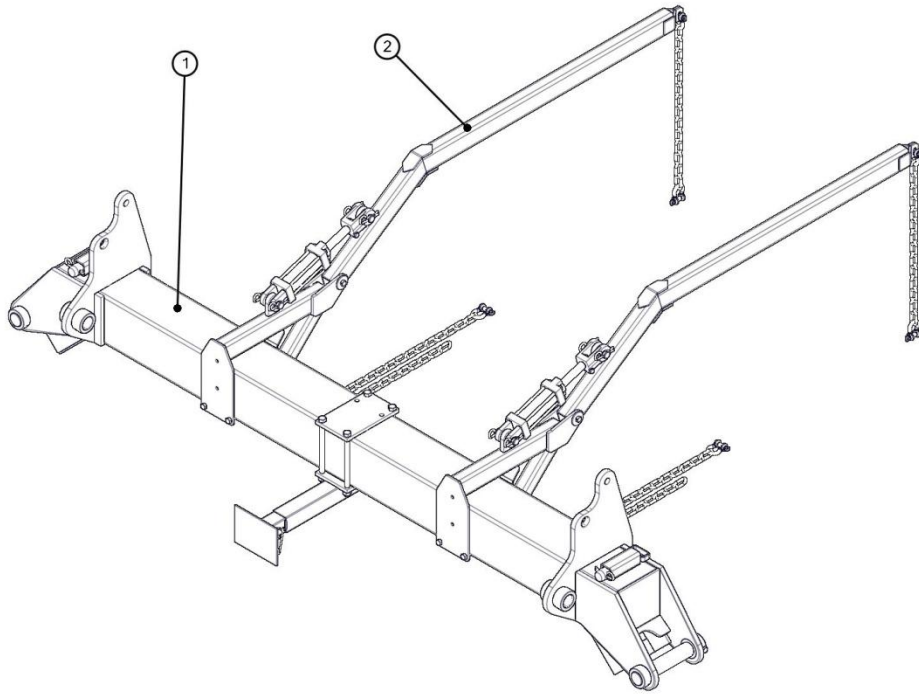
<u>Key</u>	<u>Part Number</u>	<u>Description</u>	<u>Quantity</u>
1	UT300	OUTER WING (5-SEC)	2
	UT301	OUTER WING (7-SEC)	
2	UT260	CARRIER ARM (5-SEC)	8
		CARRIER ARM (7-SEC)	12

OUTER WING CARRIER ARM



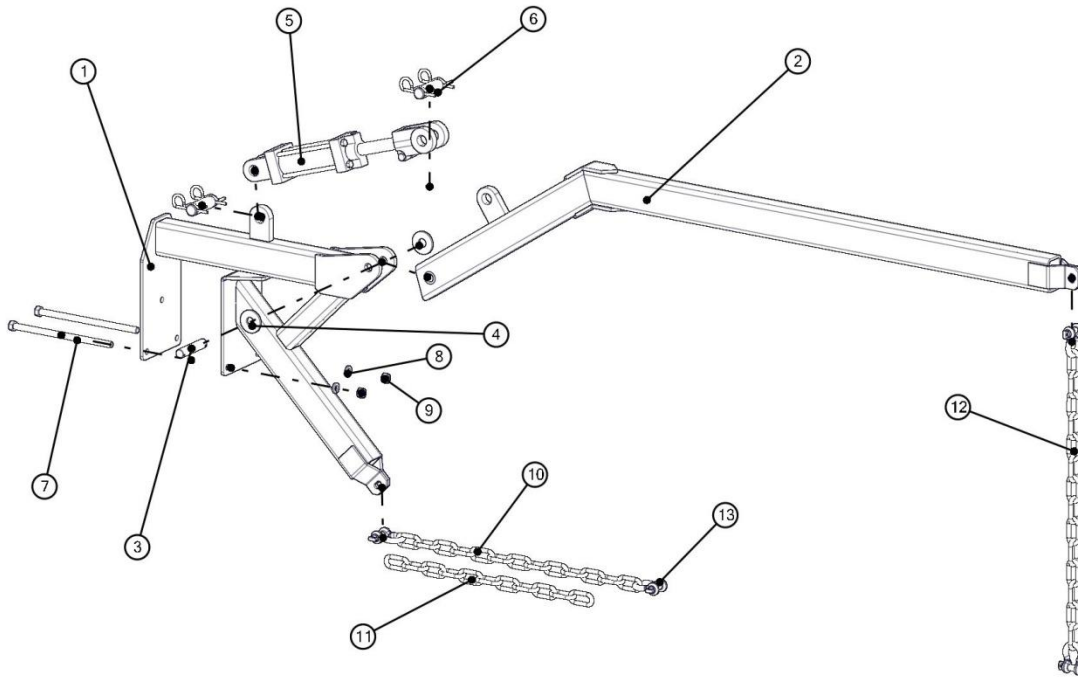
<u>Key</u>	<u>Part Number</u>	<u>Description</u>	<u>Quantity</u>
1	UT300 UT301	WING 5-SECTION WING 7-SECTION	1
2	UT250	CARRIER ARM	1
3	7113-150	CAP SCREW 1/2" NC	2
4	7843-015	LOCK WASHER 1/2"	2
5	7723-015	HEX NUT 1/2" NC	2
6	UT122	LONG TOW CHAIN	1
7	UT121	LIFT CHAIN	1
8	UT123	SHORT TOW CHAIN	1
9	7990-350	ANCHOR SHACKLE	4

CENTER WING CARRIER ARM ASSEMBLY



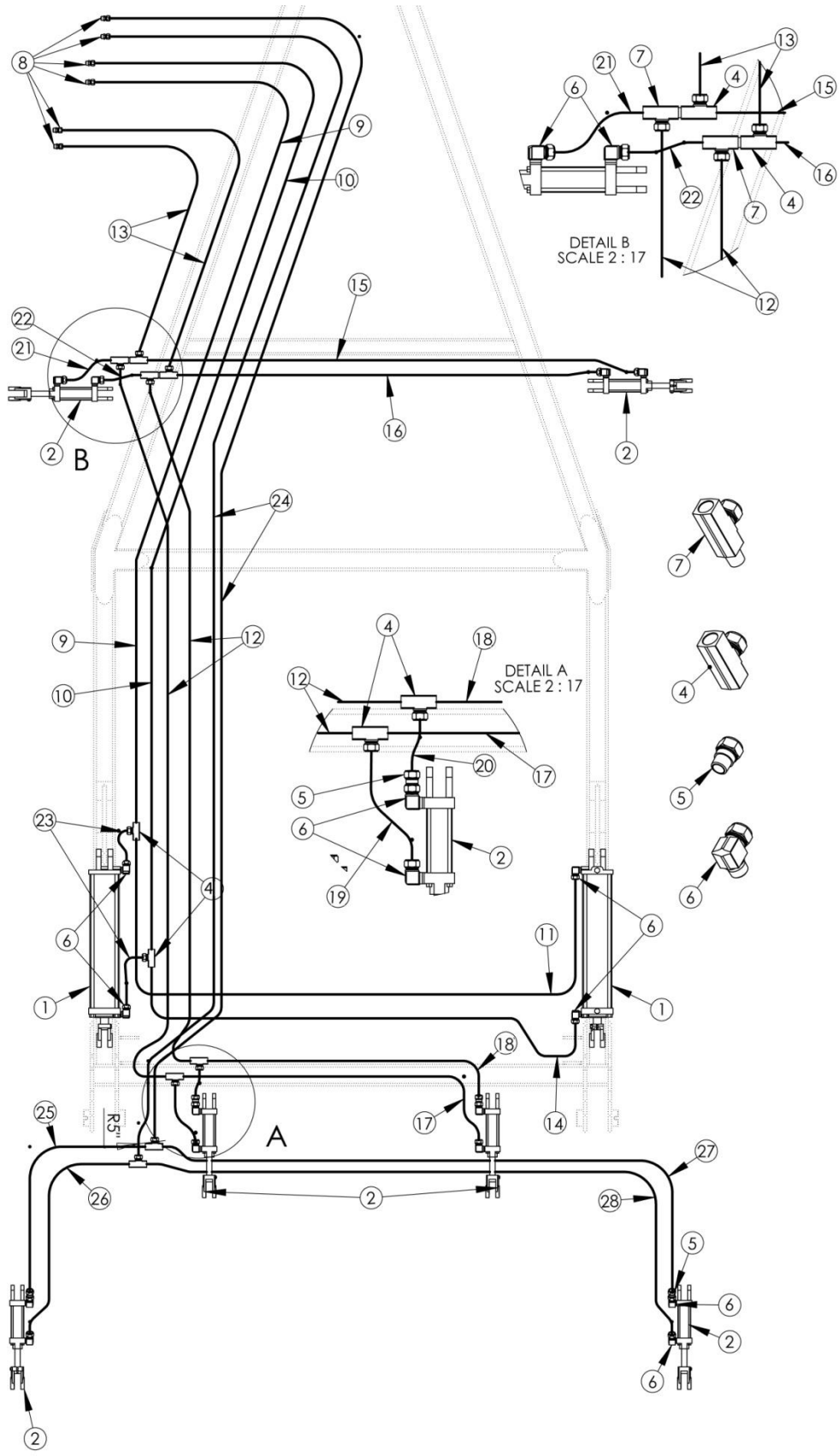
<u>Key</u>	<u>Part Number</u>	<u>Description</u>	<u>Quantity</u>
1	UT200	WING CENTER	1
2	UT260	CENTER CARRIER ARM	2

CENTER WING CARRIER ARM



<u>Key</u>	<u>Part Number</u>	<u>Description</u>	<u>Quantity</u>
1	UT262-010	CENTER ARM BASE	1
2	UT261-010	CENTER ARM OUTER	1
3	UT260-015	PIVOT PIN	1
4	7815-016	FLAT WASHER	2
5	5818-620	CYLINDER, 2 X 4 SAE	1
6	5832-003	CLEVIS PIN KIT	2
7	7113-150	CAP SCREW 1/2" NC	2
8	7843-015	LOCK WASHER 1/2"	2
9	7723-015	HEX NUT 1/2" NC	2
10	UT122	LONG TOW CHAIN	1
11	UT121	LIFT CHAIN	1
12	UT123	SHORT TOW CHAIN	1
13	7990-350	ANCHOR SHACKLE	4

UT HITCH HYDRAULIC LAYOUT



HYDRAULIC PARTS
5-SECTION

<u>Key</u>	<u>Part Number</u>	<u>Description</u>	<u>Quantity</u>
1	5818-605	CYLINDER 2 X 24	2
2	5818-620	CYLINDER 2 X 4 SAE	6
4	5843-470	1/2" F T SWIVEL BRANCH	8
5	5843-451	1/2" RESTRICTOR UNION	4
6	5846-095	1/2" 90 DEGREE SWIVEL UNION	16
7	5843-214	1/2" F T SWIVEL BRANCH	2
8	5843-235	1/2" MALE QUICK COUPLER	6
9	6838-242	HOSE, 3/8 X 242, 1/2 M-M	1
10	6838-270	HOSE, 3/8 X 270, 1/2 M-M	1
11	6838-156	HOSE, 3/8 X 156, 1/2 M-M	1
12	6838-152	HOSE, 3/8 X 152, 1/2 M-M	2
13	6838-141	HOSE, 3/8 X 141, 1/2 M-M	2
14	6838-114	HOSE, 3/8 X 114, 1/2 M-M	1
15	6838-108	HOSE, 3/8 X 108, 1/2 M-M	1
16	6838-096	HOSE, 3/8 X 96, 1/2 M-M	1
17	6838-084	HOSE, 3/8 X 84, 1/2 M-M	1
18	6838-072	HOSE, 3/8 X 72, 1/2 M-M	1
19	6838-056	HOSE, 3/8 X 56, 1/2 M-M	1
20	6838-048	HOSE, 3/8 X 46, 1/2 M-M	1
21	6838-040	HOSE, 3/8 X 40, 1/2 M-M	1
22	6838-032	HOSE, 3/8 X 32, 1/2 M-M	1
23	6838-021	HOSE, 3/8 X 21, 1/2 M-M	2
24	6838-324	HOSE, 3/8 X 324, 1/2 M-M	2
25	6838-220	HOSE, 3/8 X 220, 1/2 M-M	1
26	6838-224	HOSE, 3/8 X 224, 1/2 M-M	1
27	6838-300	HOSE, 3/8 X 300, 1/2 M-M	1
28	6838-307	HOSE, 3/8 X 307, 1/2 M-M	1

HYDRAULIC PARTS
7-SECTION

<u>Key</u>	<u>Part Number</u>	<u>Description</u>	<u>Quantity</u>
25	6838-331	HOSE, 3/8 X 331, 1/2 M-M	1
26	6838-335	HOSE, 3/8 X 335, 1/2 M-M	1
27	6838-411	HOSE, 3/8 X 411, 1/2 M-M	1
28	6838-418	HOSE, 3/8 X 418, 1/2 M-M	1