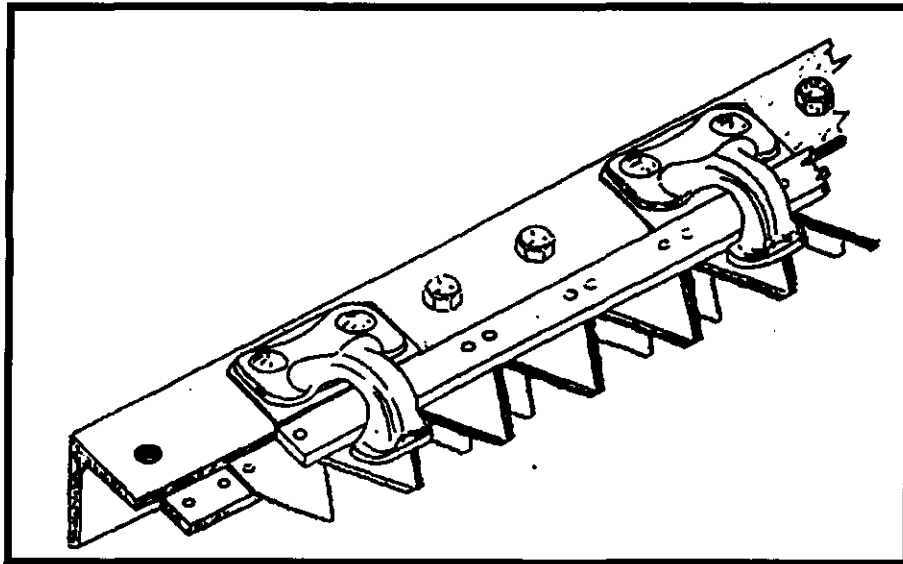


J.E. LOVE COMPANY

*Productivity
Through Innovation.*

LOVE®

www.jeloveco.com



**The Love Double Sickle Ricebar System
greatly improves the combining of down
rice and other tough to cut crops.**

**Look to Love for quality in
combine attachments**

J.E. LOVE COMPANY

LOVE

BARFIELD, WASHINGTON 99130
 (509) 635-1321 ■ FAX: (509) 635-1434

RICE BAR

MODEL 3/2

BASE KIT COMPONENT LIST

	<u>Quantity</u>	<u>Part Number</u>	<u>Description</u>
L10016	1	L10000	12" Base Plate Assy.
	1	L10001	16" Base Plate Assy.
	7	L10002	24" Base Plate Assy.
	15	L260	Wear Plate, 6"
	14	L221	Knife Clip
	30	L221S	Shim
	1	L222	Knife Clip, high bridge
<hr/>			
L10017	1	L10001	16" Base Plate Assy.
	8	L10002	24" Base Plate Assy.
	16	L260	Wear Plate, 6"
	15	L221	Knife Clip
	32	L221S	Shim
	1	L222	Knife Clip, high bridge
	<hr/>		
L10018	1	L10000	12" Base Plate Assy.
	1	L10001	16" Base Plate Assy.
	8	L10002	24" Base Plate Assy.
	17	L260	Wear Plate
	16	L221	Knife Clip
	34	L221S	Shim
	1	L222	Knife Clip, high bridge
<hr/>			
L10020	1	L10000	12" Base Plate Assy.
	1	L10001	16" Base Plate Assy.
	9	L10002	24" Base Plate Assy.
	19	L260	Wear Plate
	18	L221	Knife Clip
	38	L221S	Shim
	1	L222	Knife Clip, high bridge
<hr/>			
L10022	1	L10000	12" Base Plate Assy.
	1	L10001	16" Base Plate Assy.
	10	L10002	24" Base Plate Assy.
	21	L260	Wear Plate
	20	L221	Knife Clip
	42	L221S	Shim
	1	L222	Knife Clip, high bridge
<hr/>			
L10070	7	L10002	24" Base Plate Assy.
	13	L260	Wear Plate
	12	L221	Knife Clip
	26	L221S	Shim
	1	L222	Knife Clip, high bridge

	<u>Quantity</u>	<u>Part Number</u>	<u>Description</u>
L10071	1	L10001	16" Base Plate Assy.
	7	L10002	24" Base Plate Assy.
	14	L260	Wear Plate
	13	L221	Knife Clip
	28	L221S	Shim
	1	L222	Knife Clip, high bridge
<hr/>			
L10072	12	L10002	24" Base Plate Assy.
	23	L260	Wear Plate
	22	L221	Knife Clip
	46	L221S	Shim
	1	L222	Knife Clip, high bridge
<hr/>			
L10101	7	L10002	24" Base Plate Assy.
	1	L10095	12" Base Plate Assy.
	14	L10092	Knife Clip
	14	L260	Wear Plate
	28	L221S	Shim
<hr/>			
L10102	1	L10000	12" Base Plate Assy.
	7	L10002	24" Base Plate Assy.
	1	L10095	12" Base Plate Assy.
	1	L10106	18" Base Plate Assy.
	17	L260	Wear Plate
	17	L10092	Knife Clip
	34	L221S	Shim
<hr/>			
L10103	1	L10000	12" Base Plate Assy.
	9	L10002	24" Base Plate Assy.
	1	L10095	12" Base Plate Assy.
	19	L10092	Knife Clip
	38	L221S	Shim
	19	L260	Wear Plate
<hr/>			
L10104	10	L10002	24" Base Plate Assy.
	1	L10095	12" Base Plate Assy.
	1	L10106	18" Base Plate Assy.
	22	L10092	Knife Clip
	44	L221S	Shim
	22	L260	Wear Plate
<hr/>			
L10105	12	L10002	24" Base Plate Assy.
	1	L10095	12" Base Plate Assy.
	24	L10092	Knife Clip
	48	L221S	Shim
	24	L260	Wear Plate
<hr/>			
L10108	1	L10001	16" Base Plate Assy.
	12	L10002	24" Base Plate Assy.
	23	L221	Knife Clip
	48	L221S	Shim
	1	L222	Knife Clip, High bridge
	24	L260	Wear Plate

COMPONENTS FOR HONEYBEE HEADER RICEBAR



LOVE ASSEMBLY# LB2056C, 25' HONEYBEE PACKAGE

<u>PART#</u>	<u>DESCRIPTION</u>	<u>QTY</u>
L221A	KNIFE CLIP	22
L221S	SHIM	96
L222	KNIFE CLIP, HIGH	2
L260	WEAR PLATE	24
LB10002	24" BASE PLATE ASSY	12
LB10095	11-1/4" BASE PLATE ASSY	1
LB20060C	25' SICKLE W/HEAD, RICEBAR CHROME	1

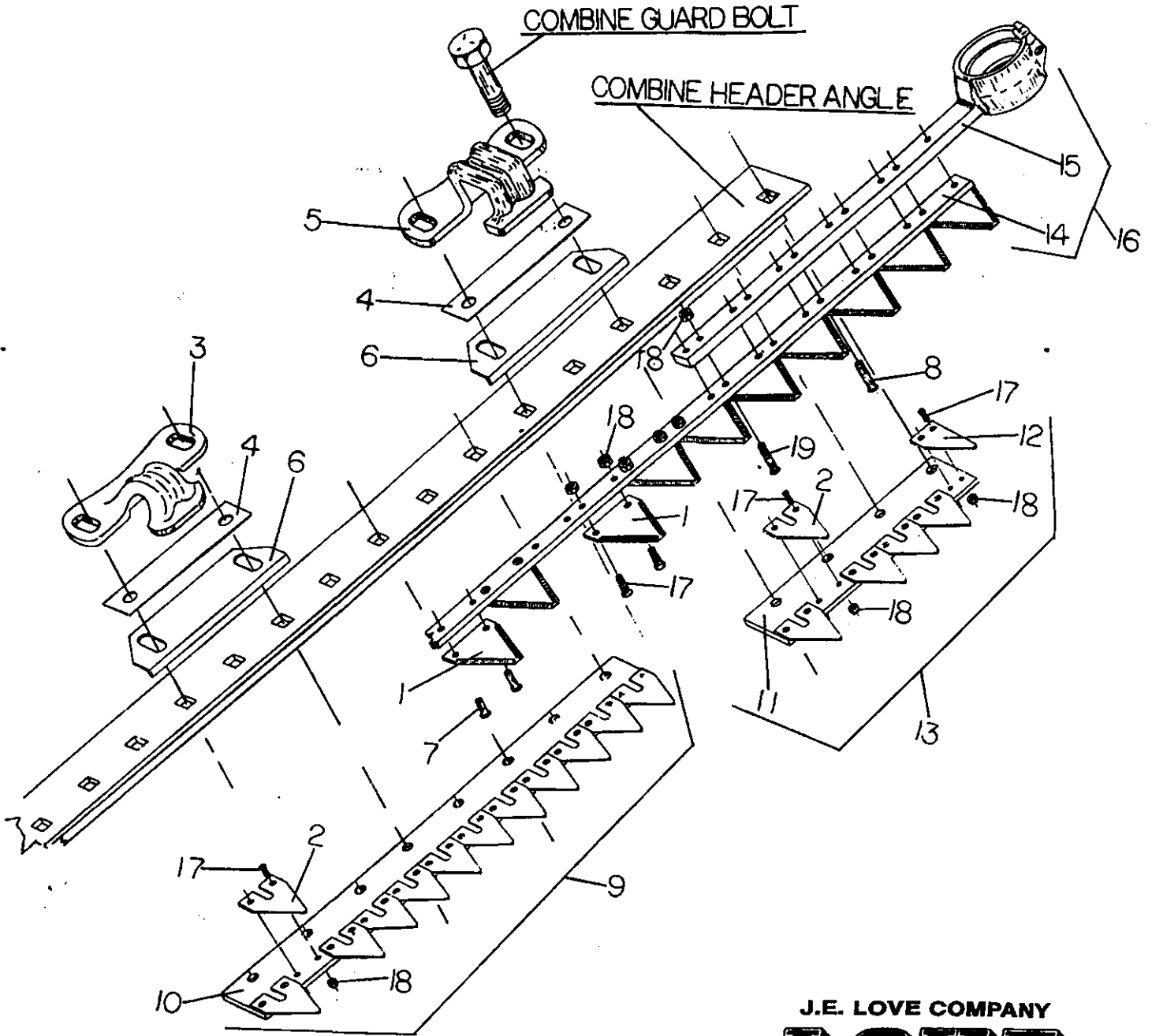
LOVE ASSEMBLY# LB2057C, 21' HONEYBEE PACKAGE

<u>PART#</u>	<u>DESCRIPTION</u>	<u>QTY</u>
L221A	KNIFE CLIP	19
L221S	SHIM	84
L222	KNIFE CLIP, HIGH	2
L260	WEAR PLATE	21
LB10002	24" BASE PLATE ASSY	10
LB10095	11-1/4" BASE PLATE ASSY	1
LB20059C	21' SICKLE W/HEAD, RICEBAR CHROME	1

J.E. LOVE COMPANY
LOVE

309 W. CALIFORNIA STREET
P.O. BOX 188
GARFIELD, WASHINGTON 99130-0188

RICE BAR - HONEYBEE HEADER



J.E. LOVE COMPANY
LOVE

309 W. CALIFORNIA STREET
P.O. BOX 188
GARFIELD, WASHINGTON 99130-0188
(509) 636-1321 FAX: (509) 636-1434
www.jelovco.com

RICE BAR – HONEYBEE HEADER

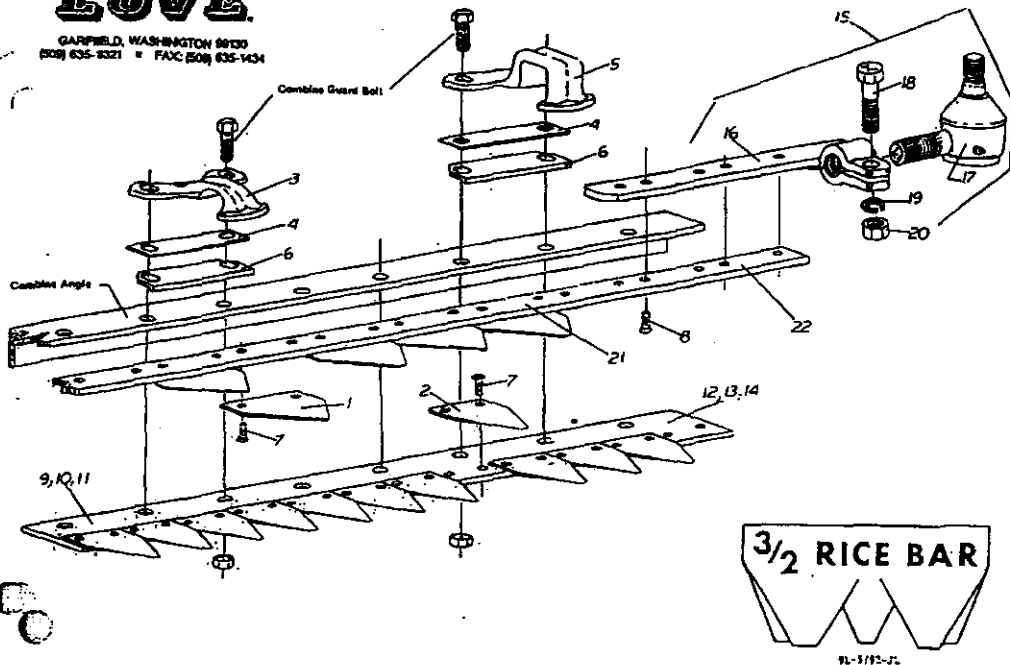
KEY	PART NO.	DESCRIPTION
1.	L192D	SECTION, TOP SERRATED, CSK, BLACK SICKLE
	L192DC	SECTION, TOP SERRATED, CSK, CHROME SICKLE
2.	L195	SECTION, TOP SERRATED, CSK (BASE PLATE, 2")
3.	L221A	KNIFE CLIP
4.	L221S	SHIM
5.	L222	KNIFE CLIP, HIGH BRIDGE
6.	L260	WEAR PLATE
7.	L325B	RIVET, CSK HD, #5-1/2 X 5/8
8.	L325H	RIVET, CSK HD, #5-1/2 X 1-1/4
9.	L10002	24" BASE PLATE ASSEMBLY, RIVET ASSY
	LB10002	24" BASE PLATE ASSEMBLY, BOLT ASSY
10.	L10005	24" BASE PLATE
11.	L10093	11-1/4" BASE PLATE
12.	L10094	SECTION, DRIVE END
13.	L10095	11-1/4" BASE PLATE ASSEMBLY, RIVET ASSY
	LB10095	11-1/4" BASE PLATE ASSEMBLY, BOLT ASSY
14.	L10121	21' SICKLE, LESS HEAD, RICEBAR, BLACK, RIVET
	L10121C	21' SICKLE, LESS HEAD, RICEBAR, CHROME, RIVET
	LB10121	21' SICKLE, LESS HEAD, RICEBAR, BLACK, BOLT
	LB10121C	21' SICKLE, LESS HEAD, RICEBAR, CHROME, BOLT
	L10125	25' SICKLE, LESS HEAD, RICEBAR, BLACK, RIVET
	L10125C	25' SICKLE, LESS HEAD, RICEBAR, CHROME, RIVET
	LB10125	25' SICKLE, LESS HEAD, RICEBAR, BLACK, BOLT
	LB10125C	25' SICKLE, LESS HEAD, RICEBAR, CHROME, BOLT
15.	L20058	KNIFEHEAD, HONEYBEE
16.	L20059	21' SICKLE W/HEAD, RICEBAR, BLACK, RIVET
	L20059C	21' SICKLE W/HEAD, RICEBAR, CHROME, RIVET
	LB20059	21' SICKLE W/HEAD, RICEBAR, BLACK, BOLT
	LB20059C	21' SICKLE W/HEAD, RICEBAR, CHROME, BOLT
	L20060	25' SICKLE W/HEAD, RICEBAR, BLACK, RIVET
	L20060C	25' SICKLE W/HEAD, RICEBAR, CHROME, RIVET
	LB20060	25' SICKLE W/HEAD, RICEBAR, BLACK, BOLT
	LB10060C	25' SICKLE W/HEAD, RICEBAR, CHROME, BOLT
17.	7500-063	FLATHEAD SOCKET CAP SCREW, 5/8" (SICKLE)
18.	7723-050	NUT, CONE LOCKING
19.	7500-125	FLATHEAD SOCKET CAP SCREW, 1-1/4" (KNIFEHEAD)



J.E. LOVE COMPANY
LOVE

300 W. CALIFORNIA STREET
P.O. BOX 108
GARFIELD, WASHINGTON 99130-0108

AC GLEANER



HEADER SIZE	COMPLETE WHOLEGOODS #	BASE KIT NUMBER	SICKLE ASSY. NUMBER	DRIVE HEAD KIT NUMBER	BASE SICKLE
14ft.	L20000	L10070	L10055	L10006	L10114
15ft.	L20001	L10071	L10059	L10006	L10115
16ft.	L20002	L10016	L10023	L10006	L10116
18ft.	L20003	L10018	L10024	L10006	L10118
20ft.	L20004	L10020	L10025	L10006	L10120
22ft.	L20005	L10022	L10026	L10006	L10122
24ft.	L20006	L10072	L10065	L10006	L10124
25ft.	L20057	L10058	L10012	L10006	L10125

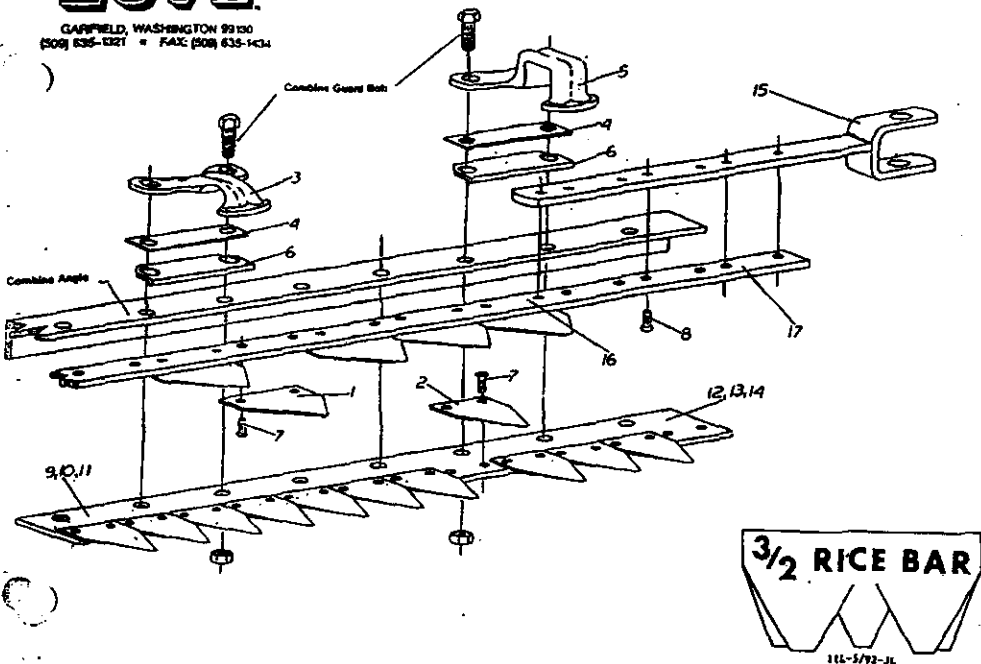
The rice bar is designed on the building block theory. Starting with the base sickle, less drive head kit. Adding the drive head kit to the base sickle produces the sickle assy. The sickle assy. added to the base kit, which is made up of varying numbers of parts from Key #1 through #11, depending on the header size, will produce the complete wholegoods number.

AC GLEANER

KEY	PART NUMBER	DESCRIPTION
1	L192D	Section, Black
2	L195	Section, Black
3	L221	Knife Clip
4	L221S	Shim
5	L222	Knife Clip, High Bridge
6	L260	Wear Plate
7	L325B	Rivet, 5/8"
8	L325F	Rivet 1"
With L195 Sections		
9	L10000	12" Base Plate Assy.
10	L10001	16" Base Plate Assy.
11	L10002	24" Base Plate Assy.
Less L195 Sections		
12	L10003	12" Base Plate
13	L10004	16" Base Plate
14	L10005	24" Base Plate
15	L10006	Drive Head Kit, AC Gleaner
16	L10011	Drive Head, AC Gleaner
17	L10083	Ball Joint, AC Rice Sickle
18	X2A0370150	Capscrew
19	X3B037	Lock Washer
20	X2C037	Nut
Sickle Less Drive Head Kit		
21	L10114	14' Sickle, Rice Bar, Black
	L10115	15' Sickle, Rice Bar, Black
	L10116	16' Sickle, Rice Bar, Black
	L10118	18' Sickle, Rice Bar, Black
	L10120	20' Sickle, Rice Bar, Black
	L10122	22' Sickle, Rice Bar, Black
	L10124	24' Sickle, Rice Bar, Black
Sickle With Drive Head Kit L10006		
22	L10055	14' Sickle W/HD AC, A, A2, C, C2 F, & K
	L10059	15' Sickle W/HD AC, F, G, K, L, M F2, M2 & L2
	L10023	16' Sickle W/HD AC
	L10024	18' Sickle W/HD AC
	L10025	20' Sickle W/HD AC
	L10026	22' Sickle W/HD AC
	L10065	24' Sickle W/HD AC, C2 & L

I.H.C.—PRIOR TO 1974 W/O 810 HEADER

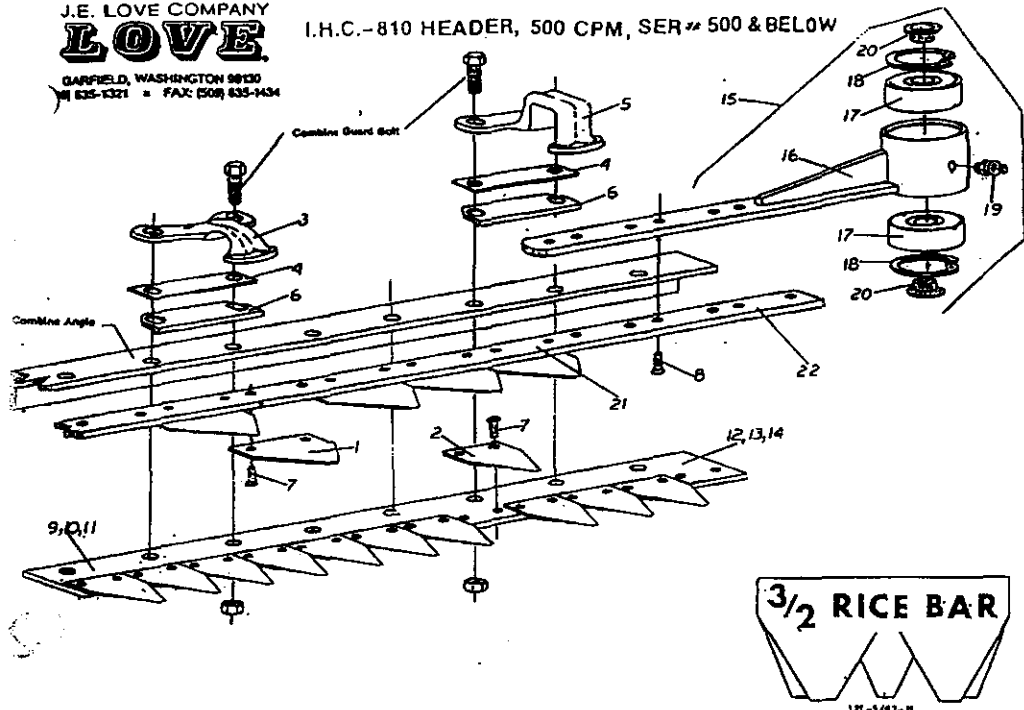
I.H.C.—PRIOR TO 1974 W/O 810 HEADER



HEADER SIZE	COMPLETE WHOLEGOODS #	BASE KIT NUMBER	SICKLE ASSY. NUMBER	DRIVE HEAD KIT NUMBER	BASE SICKLE
14ft.	L20007	L10070	L10053	L10012	L10114
15-1/2ft.	L20008	L10071	L10061	L10012	L10115
16-1/2ft.	L20009	L10016	L10027	L10012	L10116
18-1/2ft.	L20010	L10018	L10028	L10012	L10118
20-1/2ft.	L20011	L10020	L10029	L10012	L10120

The rice bar is designed on the building block theory. Starting with the base sickle, less drive head kit. Adding the drive head kit to the base sickle produces the sickle assy. The sickle assy. added to the base kit, which is made up of varying numbers of parts from Key #1 through #11, depending on the header size, will produce the complete wholegoods number.

KEY	PART NUMBER	DESCRIPTION
1	L192D	Section, Black
2	L195	Section, Black
3	L221	Knife Clip
4	L221S	Shim
5	L222	Knife Clip, High bridge
6	L260	Wear Plate
7	L325B	Rivet, 5/8"
8	L325F	Rivet, 1"
	With L195 Sections	
9	L10000	12" Base Plate Assy.
10	L10001	16" Base Plate Assy.
11	L10002	24" Base Plate Assy.
	Less L195 Sections	
12	L10003	12" Base Plate
13	L10004	16" Base Plate
14	L10005	24" Base Plate
15	L10012	Drive Head Kit, IHC prior to 1974
	Sickle Less Drive Head Kit	
16	L10114	14' Sickle, Rice Bar, Black
	L10115	15-1/2' Sickle, Rice Bar, Black
	L10116	16-1/2' Sickle, Rice Bar, Black
	L10118	18-1/2' Sickle, Rice Bar, Black
	L10120	20-1/2' Sickle, Rice Bar, Black
	Sickle With Drive Head Kit L10012	
17	L10053	14' Sickle W/Hd, IHC prior to 1974
	L10061	15-1/2' Sickle W/Hd, IHC prior to 1974
	L10027	16-1/2' Sickle W/Hd, IHC prior to 1974
	L10028	18-1/2' Sickle W/Hd, IHC prior to 1974
	L10029	20-1/2' Sickle W/Hd, IHC prior to 1974

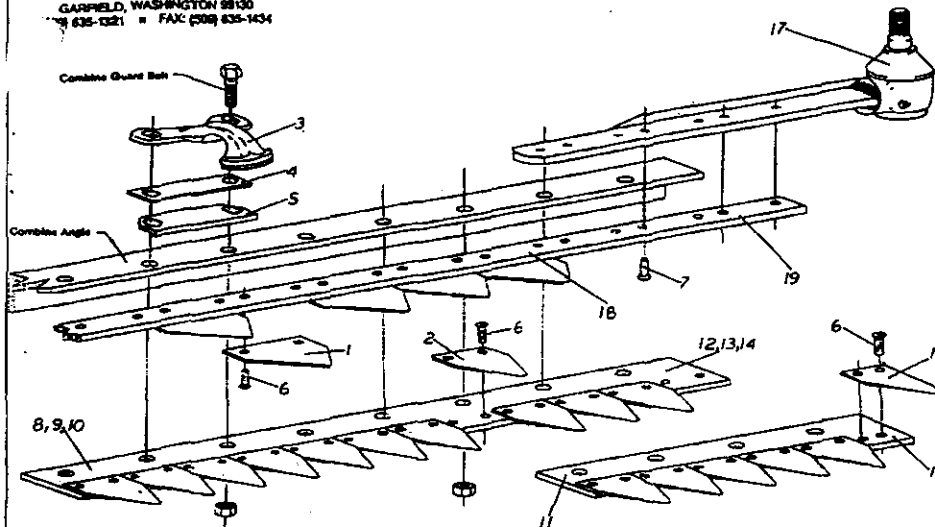


HEADER SIZE	COMPLETE WHOLEGOODS #	BASE KIT NUMBER	SICKLE ASSY. NUMBER	DRIVE HEAD KIT NUMBER	BASE SICKLE
15ft.	L20012	L10071	L10058	L10007	L10115
16-1/2ft.	L20013	L10016	L10030	L10007	L10116
17-1/2ft.	L20014	L10017	L10031	L10007	L10117
20ft.	L20015	L10020	L10032	L10007	L10120
22-1/2ft.	L20016	L10022	L10033	L10007	L10122
24ft.	L20017	L10072	L10064	L10007	L10124

The rice bar is designed on the building block theory. Starting with the base sickle, less drive head kit. Adding the drive head kit to the base sickle produces the sickle assy. The sickle assy. added to the base kit, which is made up of varying numbers of parts from Key #1 through #11, depending on the header size, will produce the complete wholegoods number.

KEY	PART NUMBER	DESCRIPTION
1	L192D	Section, Black
2	L195	Section, Black
3	L221	Knife Clip
4	L221S	Shim
5	L222	Knife Clip, High bridge
6	L260	Wear Plate
7	L325B	Rivet, 5/8"
8	L325F	Rivet, 1"
	With L195 Sections	
9	L10000	12" Base Plate Assy.
10	L10001	16" Base Plate Assy.
11	L10002	24" Base Plate Assy.
	Less L195 Sections	
12	L10003	12" Base Plate
13	L10004	16" Base Plate
14	L10005	24" Base Plate
15	L10007	Drive Head Kit, IHC 810 Header, 500 CPM
16	L10013	Sickle Head
17	L10015	Bearing
18	L10019	Snap Ring
19	X6A5010	Zerk, Grease 1/4"
20	F1167	Cap Plug, BP 3/4
	Sickle Less Drive Head Kit	
21	L10115	15' Sickle, Rice Bar, Black
	L10116	16' Sickle, Rice Bar, Black
	L10117	17' Sickle, Rice Bar, Black
	L10120	20' Sickle, Rice Bar, Black
	L10122	22' Sickle, Rice Bar, Black
	L10124	24' Sickle, Rice Bar, Black
	Sickle with Drive Head Kit L10007	
22	L10058	15' Sickle W/Hd, IHC 810 Header, 500 CPM
	L10030	16-1/2' Sickle W/Hd, IHC 810 Header, 500 CPM
	L10031	17-1/2' Sickle W/Hd, IHC 810 Header, 500 CPM
	L10032	20' Sickle W/Hd, IHC 810 Header, 500 CPM
	L10033	22-1/2' Sickle W/Hd, IHC 810 Header, 500 CPM
	L10064	24' Sickle W/Hd, IHC 810 Header, 500 CPM

CASE-IH 1010 SERIES HEADER

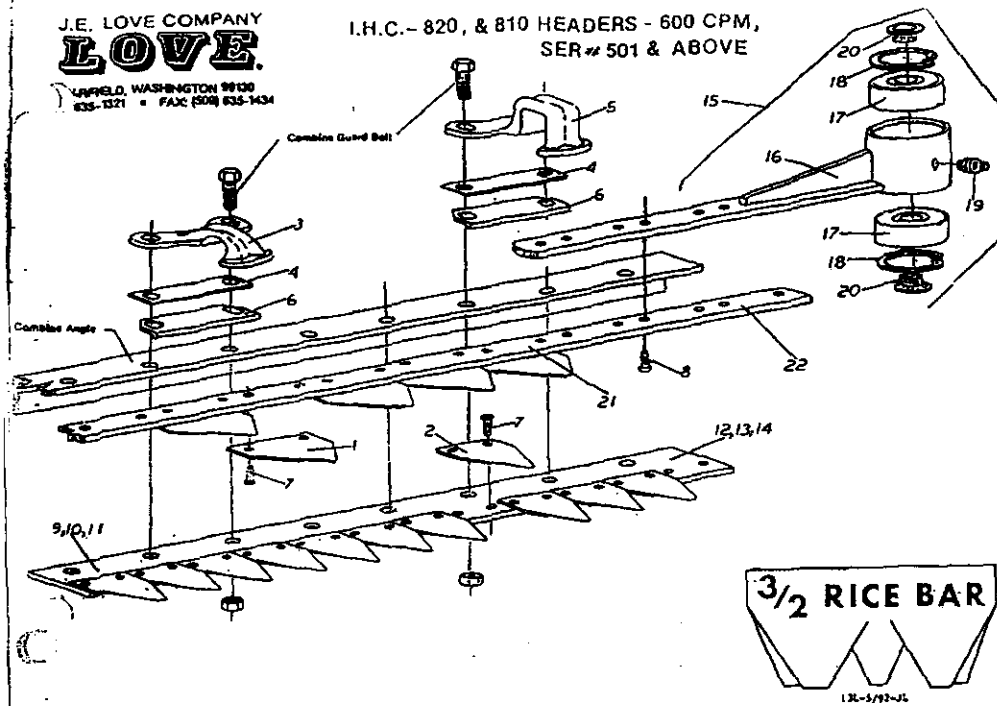


HEADER SIZE	COMPLETE WHOLEGOODS #	BASE KIT NUMBER	SICKLE ASSY. NUMBER	DRIVE HEAD KIT NUMBER	BASE SICKLE
15ft.	L20050	L10101	L10096	L10091	L10115
17-1/2ft.	L20051	L10102	L10097	L10091	L10117-1/2
20ft.	L20052	L10103	L10098	L10091	L10120
22-1/2ft.	L20053	L10104	L10099	L10091	L10122-1/2
25ft.	L20054	L10105	L10100	L10091	L10125

The rice bar is designed on the building block theory. Starting with the base sickle, less drive head kit. Adding the drive head kit to the base sickle produces the sickle assy. The sickle assy. added to the base kit, which is made up of varying numbers of parts from Key #1 through #11, depending on the header size, will produce the complete wholegoods number.

CASE-IH 1010 SERIES HEADER

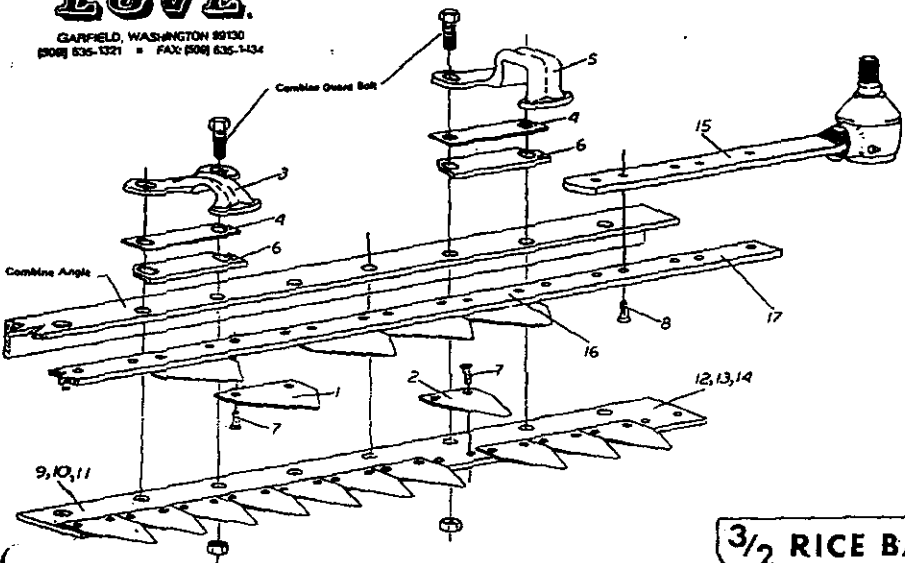
KEY	PART NUMBER	DESCRIPTION
1	L192D	Section, Black
2	L195	Section, Black
3	L10092	Knife Clip
4	L221S	Shim
5	L260	Wear Plate
6	L325B	Rivet, 5/8"
7	L325	Rivet, 1"
	With L195 Sections	
8	L10000	12" base plate Assy.
9	L10106	18" Base Plate Assy.
10	L10002	24" Base Plate Assy.
11	L10095	12" Base Plate Assy. (3/4 section Drive end)
	Less L195 Sections	
12	L10003	12" Base Plate
13	L10107	18" Base Plate
14	L10005	24" Base Plate
15	L10093	12" Base Plate Drive
16	L10094	Section, Drive End
17	L10091	Drive Head Kit, Case-IH 1010
	Sickle Less Drive Head Kit	
18	L10115	15' Sickle, Rice Bar, Black
	L10117-1/2	17-1/2' Sickle, Rice Bar, Black
	L10120	20' Sickle, Rice Bar, Black
	L10122-1/2	22-1/2' Sickle, Rice Bar, Black
	L10125	25' Sickle, Rice Bar, Black
	Sickle With Drive Head Kit L10091	
19	L10096	15' Sickle, Rice Bar, W/Hd
	L10097	17-1/2' Sickle, Rice Bar, W/Hd
	L10098	20' Sickle, Rice Bar, W/Hd
	L10099	22-1/2' Sickle, Rice Bar, W/Hd
	L10100	25' Sickle, Rice Bar, W/Hd



KEY	PART NUMBER	DESCRIPTION
1	L192D	Section, Black
2	L195	Section, Black
3	L221	Knife Clip
4	L221S	Shim
5	L222	Knife Clip, High bridge
6	L260	Wear Plate
7	L325B	Rivet, 5/8"
8	L325F	Rivet, 1"
	With L195 Sections	
9	L10000	12" Base Plate Assy.
10	L10001	16" Base Plate Assy.
11	L10002	24" Base Plate Assy.
	Less L195 Sections	
12	L10003	12" Base Plate
13	L10004	16" Base Plate
14	L10005	24" Base Plate
15	L10008	Drive Head Kit, IHC 820 & 810, 600 CPM
16	L10014	Sickle Head
17	L10015	Bearing
18	L10019	Snap Ring
19	X6A5010	Zerk, Grease 1/4"
20	F1167	Cap Plug, BP 3/4
	Sickle Less Drive Head Kit	
21	L10115	15' Sickle, Rice Bar, Black
	L10116	16' Sickle, Rice Bar, Black
	L10117	17' Sickle, Rice Bar, Black
	L10120	20' Sickle, Rice Bar, Black
	L10122	22' Sickle, Rice Bar, Black
	L10124	24' Sickle, Rice Bar, Black
	Sickle With Drive Head Kit L10008	
22	L10067	15' Sickle W/Hd, IHC 820, 810 - 600 CPM
	L10034	16-1/2' Sickle W/Hd, IHC 820, 810 - 600 CPM
	L10035	17-1/2' Sickle W/Hd, IHC 820, 810 - 600 CPM
	L10036	20' Sickle W/Hd, IHC 820, 810 - 600 CPM
	L10037	22-1/2' Sickle W/Hd, IHC 820, 810 - 600 CPM
	L10068	24' Sickle W/Hd, IHC 820, 810 - 600 CPM

HEADER SIZE	COMPLETE WHOLEGOODS #	BASE KIT NUMBER	SICKLE ASSY. NUMBER	DRIVE HEAD KIT NUMBER	BASE SICKLE
15ft.	L20018	L10071	L10067	L10008	L10115
16-1/2ft.	L20019	L10016	L10034	L10008	L10116
17-1/2ft.	L20020	L10017	L10035	L10008	L10117
20ft.	L20021	L10020	L10036	L10008	L10120
22-1/2ft.	L20022	L10022	L10037	L10008	L10122
24ft.	L20023	L10072	L10068	L10008	L10124

The rice bar is designed on the building block theory. Starting with the base sickle, less drive head kit. Adding the drive head kit to the base sickle produces the sickle assy. The sickle assy. added to the base kit, which is made up of varying numbers of parts from Key #1 through #11, depending on the header size, will produce the complete wholegoods number.



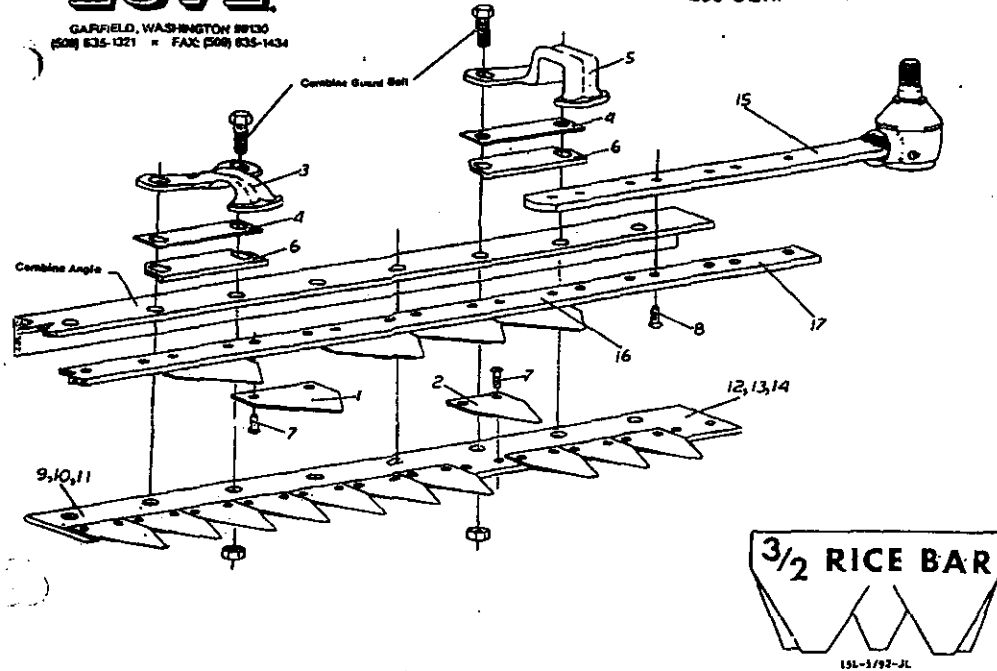
HEADER SIZE	COMPLETE WHOLEGOODS #	BASE KIT NUMBER	SICKLE ASSY. NUMBER	DRIVE HEAD KIT NUMBER	BASE SICKLE
14ft.	L20024	L10070	L10054	L10010	L10114
15ft.	L20025	L10071	L10057	L10010	L10115
16ft.	L20026	L10016	L10038	L10010	L10116
18ft.	L20027	L10018	L10039	L10010	L10118
20ft.	L20028	L10020	L10040	L10010	L10120
22ft.	L20029	L10022	L10041	L10010	L10122
24ft.	L20030	L10072	L10063	L10010	L10124

The rice bar is designed on the building block theory. Starting with the base sickle, less drive head kit. Adding the drive head kit to the base sickle produces the sickle numbers. The sickle assy. added to the base kit, which is made up of varying numbers of parts from Key #1 through #11, depending on the header size, will produce the complete wholegoods number.

KEY	PART NUMBER	DESCRIPTION
1	L192D	Section, Black
2	L195	Section, Black
3	L221	Knife Clip
4	L221S	Shim
5	L222	Knife Clip, High bridge
6	L260	Wear Plate
7	L325B	Rivet, 5/8"
8	L325F	Rivet, 1"
	With L195 Sections	
9	L10000	12" Base Plate Assy.
10	L10001	16" Base Plate Assy.
11	L10002	24" Base Plate Assy.
	Less L195 Sections	
12	L10003	12" Base Plate
13	L10004	16" Base Plate
14	L10005	24" Base Plate
15	L10010	Drive Head Kit, JD - 64 & Later W/O 200 Series Hdr.
	Sickle Less Drive Head	
16	L10114	14' Sickle, Rice Bar, Black
	L10115	15' Sickle, Rice Bar, Black
	L10116	16' Sickle, Rice Bar, Black
	L10118	18' Sickle, Rice Bar, Black
	L10120	20' Sickle, Rice Bar, Black
	L10122	22' Sickle, Rice Bar, Black
	L10124	24' Sickle, Rice Bar, Black
	Sickle With Drive Head Kit L10010	
17	L10054	14' Sickle W/Hd, JD 64 & Later W/O 200 Ser. Hdr
	L10057	15' Sickle W/Hd, JD 64 & later W/O 200 Ser. Hdr
	L10038	16' Sickle W/Hd, JD 64 & later W/O 200 Ser. Hdr
	L10039	18' Sickle W/Hd, JD 64 & later W/O 200 Ser. Hdr
	L10040	20' Sickle W/Hd, JD 64 & later W/O 200 Ser. Hdr
	L10041	22' Sickle W/Hd, JD 64 & later W/O 200 Ser. Hdr
	L10063	24' Sickle W/Hd, JD 64 & later W/O 200 Ser. Hdr

JOHN DEERE—1970 & LATER, QUICK ATTACH, PRIOR TO 200 SERIES HEADER

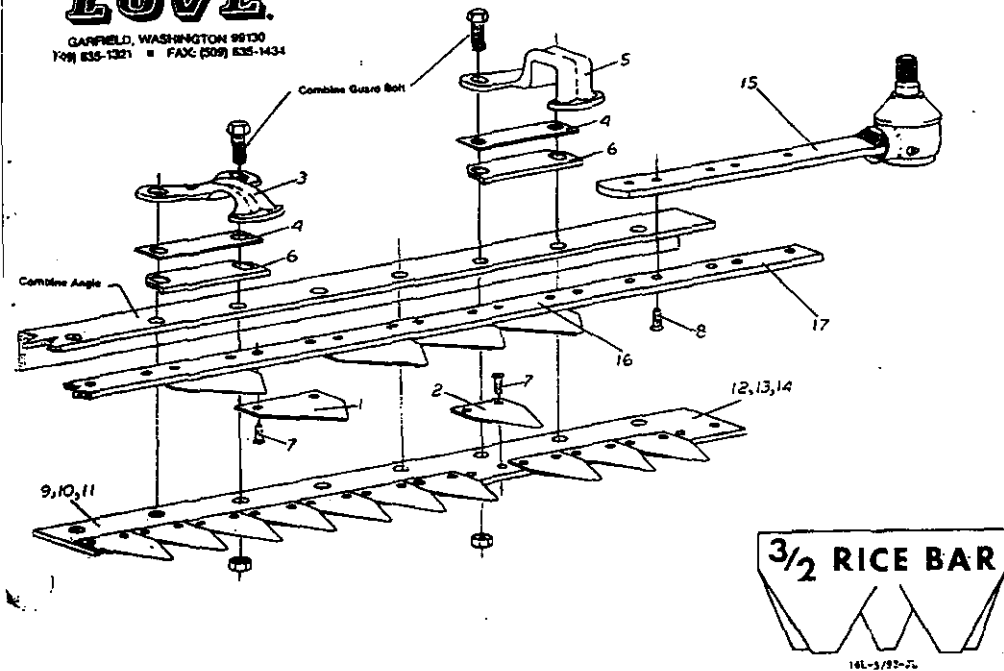
JOHN DEERE—1970 & LATER, QUICK ATTACH, PRIOR TO 200 SERIES HEADER



HEADER SIZE	COMPLETE WHOLEGOODS #	BASE KIT NUMBER	SICKLE ASSY. NUMBER	DRIVE HEAD KIT NUMBER	BASE SICKLE
14ft.	L20043	L10070	L10084	L10073	L10114
15ft.	L20044	L10071	L10085	L10073	L10115
16ft.	L20045	L10016	L10074	L10073	L10116
18ft.	L20046	L10018	L10075	L10073	L10118
20ft.	L20047	L10020	L10076	L10073	L10120
22ft.	L20048	L10022	L10077	L10073	L10122
24ft.	L20049	L10072	L10086	L10073	L10124

The rice bar is designed on the building block theory. Starting with the base sickle, less drive head kit. Adding the drive head kit to the base sickle produces the sickle assy. The sickle assy. added to the base kit, which is made up of varying numbers of parts from Key #1 through #11, depending on the header size, will produce the complete wholegoods number.

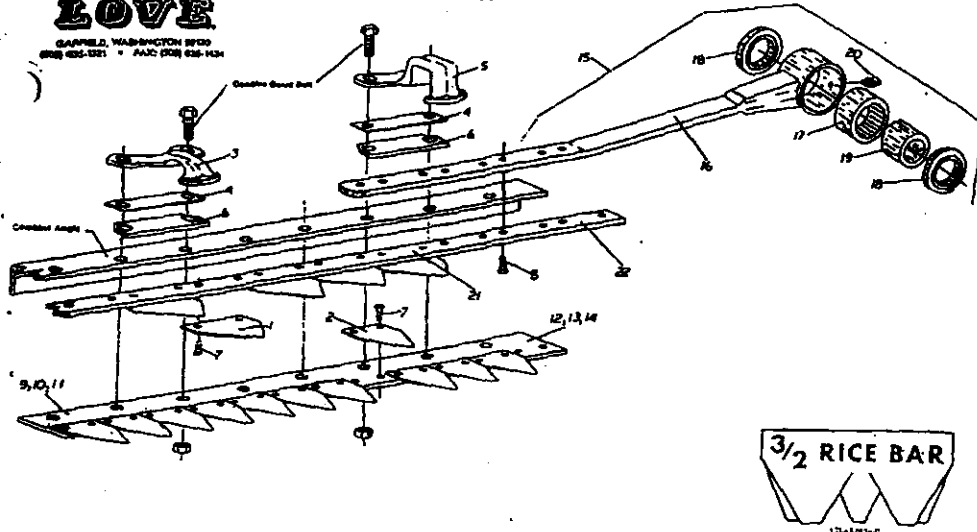
KEY	PART NUMBER	DESCRIPTION
1	L192D	Section, Black
2	L195	Section, Black
3	L221	Knife Clip
4	L221S	Shim
5	L222	Knife Clip, High bridge
6	L260	Wear Plate
7	L325B	Rivet, 5/8"
8	L325F	Rivet, 1"
	With L195 Sections	
9	L10000	12" Base Plate Assy.
10	L10001	16" Base Plate Assy.
11	L10002	24" Base Plate Assy.
	Less L195 Sections	
12	L10003	12" Base Plate
13	L10004	16" Base Plate
14	L10005	25" Base Plate
15	L10073	Drive Head Kit, John Deere 1970 & Later, Quick Attach.
	Sickle Less Drive Head	
16	L10114	14' Sickle, Rice Bar, Black
	L10115	15' Sickle, Rice Bar, Black
	L10116	16' Sickle, Rice Bar, Black
	L10118	18' Sickle, Rice Bar, Black
	L10120	20' Sickle, Rice Bar, Black
	L10122	22' Sickle, Rice Bar, Black
	L10124	24' Sickle, Rice Bar, Black
	Sickle With Drive Head Kit L10073	
17	L10084	14' Sickle W/Hd, JD-70 & Later Quick Attach.
	L10085	15' Sickle W/Hd, JD-70 & Later Quick Attach.
	L10074	16' Sickle W/Hd, JD-70 & Later Quick Attach.
	L10075	18' Sickle W/Hd, JD-70 & Later Quick Attach.
	L10076	20' Sickle W/Hd, JD-70 & Later Quick Attach.
	L10077	22' Sickle W/Hd, JD-70 & Later Quick Attach.
	L10086	24' Sickle W/Hd, JD-70 & Later Quick Attach.



HEADER SIZE	COMPLETE WHOLEGOODS #	BASE KIT NUMBER	SICKLE ASSY. NUMBER	DRIVE HEAD KIT NUMBER	BASE SICKLE
15ft.	L20031	L10071	L10052	L10009	L10115
16ft.	L20032	L10016	L10042	L10009	L10116
18ft.	L20033	L10018	L10043	L10009	L10118
20ft.	L20034	L10020	L10044	L10009	L10120
22ft.	L20035	L10022	L10045	L10009	L10122
24ft.	L20036	L10072	L10062	L10009	L10124
25ft.	L20055	L10108	L10109	L10009	L10125

The rice bar is designed on the building block theory. Starting with the base sickle, less drive head kit. Adding the drive head kit to the base sickle produces the sickle assy. The sickle assy. added to the base kit, which is made up of varying numbers of parts from Key #1 through #11, depending on the header size, will produce the complete wholegoods number.

KEY	PART NUMBER	DESCRIPTION
1	L192D	Section, Black
2	L195	Section, Black
3	L221	Knife Clip
4	L221S	Shim
5	L222	Knife Clip, High bridge
6	L260	Wear Plate
7	L325B	Rivet, 5/8"
8	L325F	Rivet, 1"
	With L195 Sections	
9	L10000	12" Base Plate Assy.
10	L10001	16" Base Plate Assy.
11	L10002	24" Base Plate Assy.
	Less L195 Sections	
12	L10003	12" Base Plate
13	L10004	16" Base Plate
14	L10004	24" Base Plate
15	L10009	Drive Head Kit John Deere 200, 900 Series
	Sickle Less Drive Head Kit	Header
16	L10115	15' Sickle, Rice Bar, Black
	L10116	16' Sickle, Rice Bar, Black
	L10118	18' Sickle, Rice Bar, Black
	L10120	20' Sickle, Rice Bar, Black
	L10122	22' Sickle, Rice Bar, Black
	L10124	24' Sickle, Rice Bar, Black
	L10125	25' Sickle, Rice Bar, Black
	Sickle With Drive Head Kit L10009	
17	L10052	15' Sickle W/Hd, John Deere 200, 900 Ser. Hdr.
	L10042	16' Sickle W/Hd, John Deere 200, 900 Ser. Hdr.
	L10043	18' Sickle W/Hd, John Deere 200, 900 Ser. Hdr.
	L10044	20' Sickle W/Hd, John Deere 200, 900 Ser. Hdr.
	L10045	22' Sickle W/Hd, John Deere 200, 900 Ser. Hdr.
	L10062	24' Sickle W/Hd, John Deere 200, 900 Ser. Hdr.
	L10109	25' Sickle W/Hd, John Deere 200, 900 Ser. Hdr.



HEADER SIZE	COMPLETE WHOLEGOODS #	BASE KIT NUMBER	SICKLE ASSY. NUMBER	DRIVE HEAD KIT NUMBER	BASE SICKLE
14ft.	L20037	L10070	L10056	L10079	L10114
15ft.	L20038	L10071	L10060	L10079	L10115
16ft.	L20039	L10016	L10049	L10079	L10116
18ft.	L20040	L10018	L10050	L10079	L10118
20ft.	L20041	L10020	L10051	L10079	L10120
24ft.	L20042	L10072	L10066	L10079	L10124

The rice bar is designed on the building block theory. Starting with the base sickle, less drive head kit. Adding the drive head kit to the base sickle produces the sickle assy. The sickle assy. added to the base kit, which is made up of varying numbers of parts from Key #1 through #11, depending on the header size, will produce the complete wholegoods number.

KEY	PART NUMBER	DESCRIPTION
1	L192D	Section, Black
2	L195	Section, Black
3	L221	Knife Clip
4	L221S	Shim
5	L222	Knife Clip, High bridge
6	L260	Wear Plate
7	L325B	Rivet, 5/8"
8	L325F	Rivet, 1"
With L195 Sections		
9	L10000	12" Base Plate Assy.
10	L10001	16" Base Plate Assy.
11	L10002	24" Base Plate Assy.
Less L195 Sections		
12	L10003	12" Base Plate
13	L10004	16" Base Plate
14	L10005	24" Base Plate
15	L10079	Drive Head Kit, MF 1968 & Later
16	L10078	Drive Head
17	L10080	Bearing
18	L10081	Seal
19	L10082	Inner Race
20	X6A5010	Zerk, Grease 1/4
Sickle Less Drive Head Kit		
21	L10114	14' Sickle, Rice Bar, Black
	L10115	15' Sickle, Rice Bar, Black
	L10116	16' Sickle, Rice Bar, Black
	L10118	18' Sickle, Rice Bar, Black
	L10120	20' Sickle, Rice Bar, Black
	L10124	24' Sickle, Rice Bar, Black
Sickle With Drive Head Kit L10079		
22	L10056	14' Sickle W/Hd, MF 1968 & Later
	L10060	15' Sickle W/Hd, MF 1968 & Later
	L10049	16' Sickle W/Hd, MF 1968 & Later
	L10050	18' Sickle W/Hd, MF 1968 & Later
	L10051	20' Sickle W/Hd, MF 1968 & Later
	L10066	24' Sickle W/Hd, MF 1968 & Later