

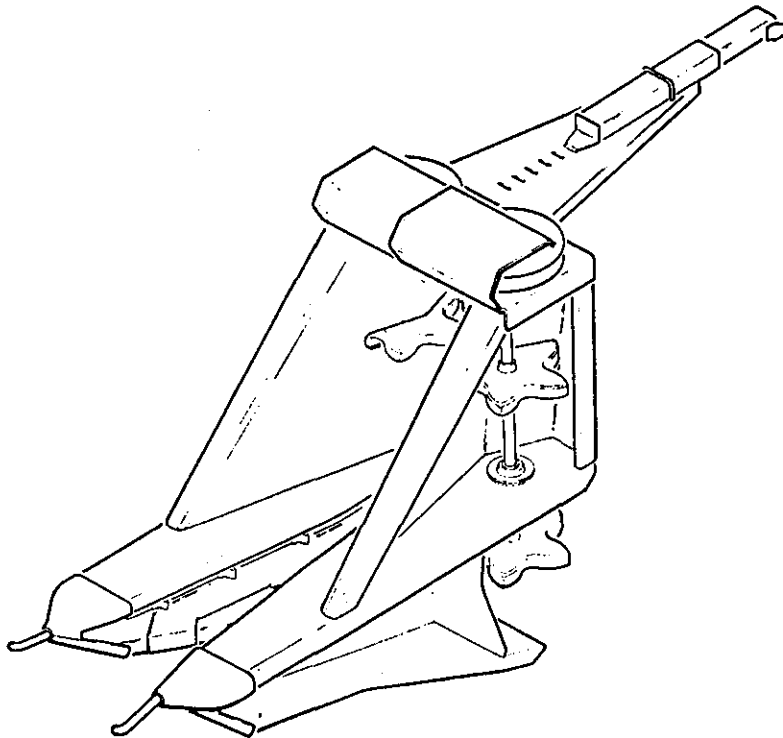
J.E. LOVE COMPANY



LOVE

LOVE HEADHUNTER

ROW HARVESTER



ILLUSTRATED PARTS LISTING

Garfield, WA 99130
(509) 635-1321

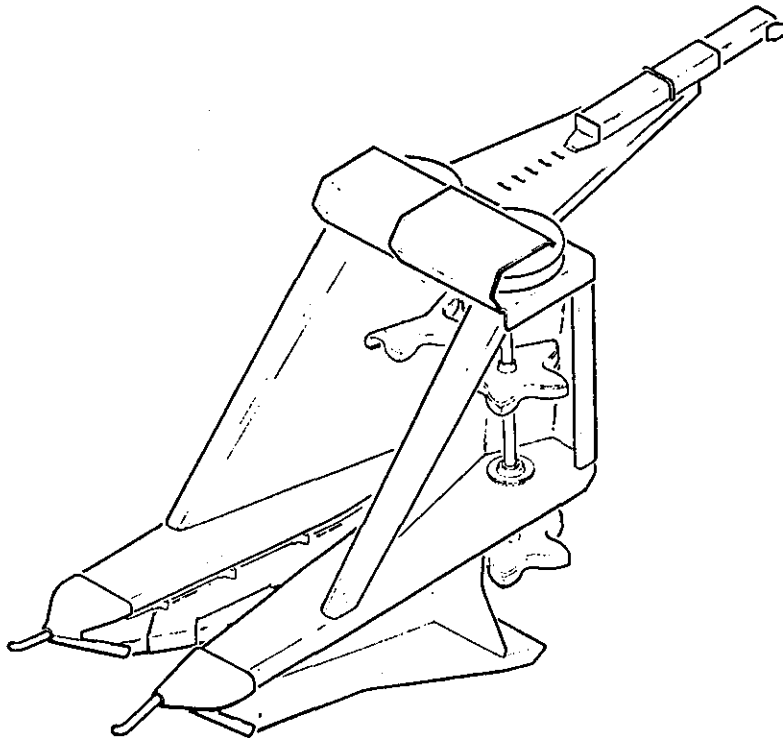
J.E. LOVE COMPANY



LOVE

LOVE HEADHUNTER

ROW HARVESTER



ILLUSTRATED PARTS LISTING

Garfield, WA 99130
(509) 635-1321

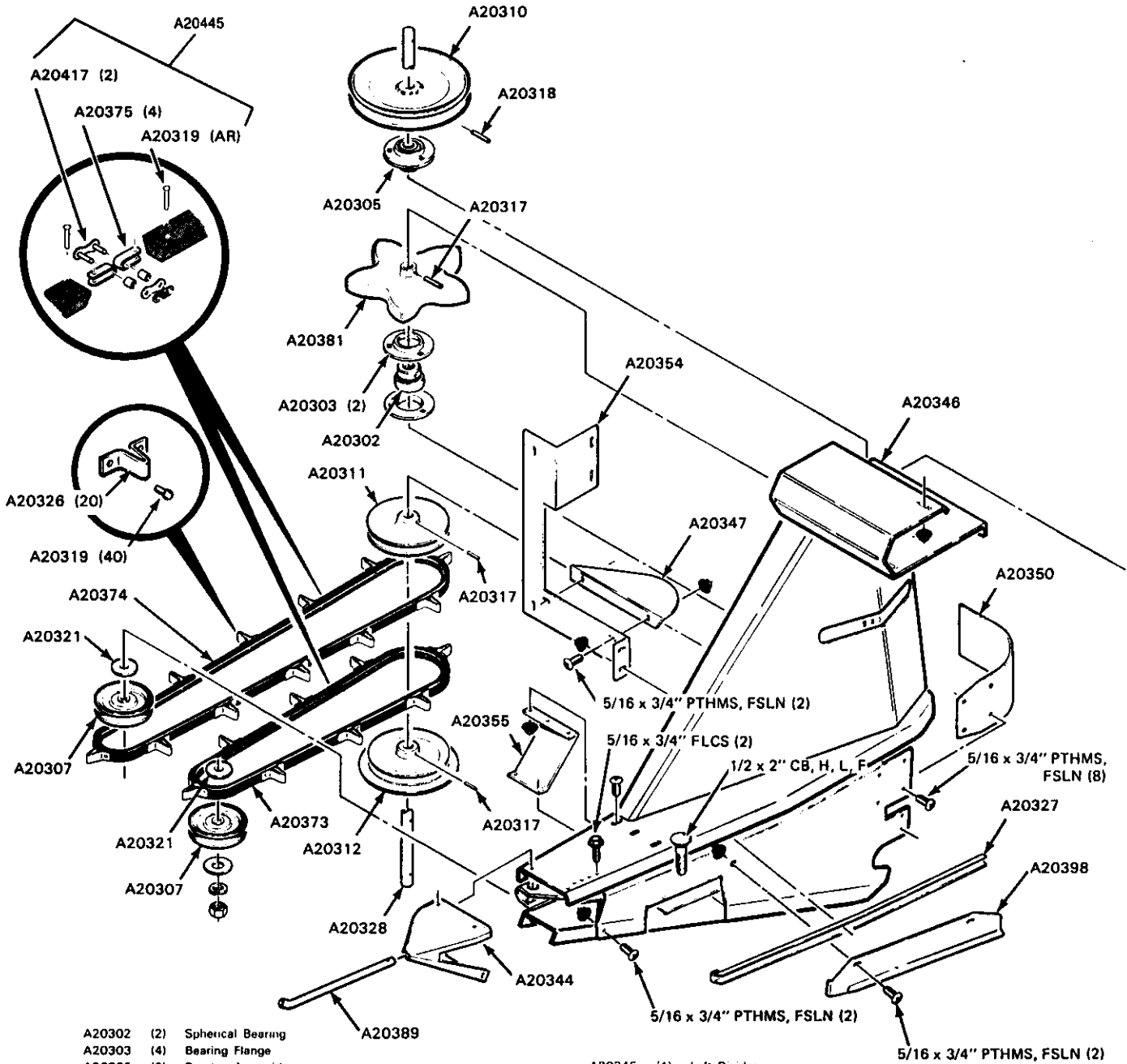
TABLE OF CONTENTS

GATHERING HEAD ASSEMBLY	4-5
PLATFORM ROW SHIELDS AND ROW DIVIDERS	6-7
ROW HEAD MOUNTINGS AND BRACES (SINGLE DRIVE).....	8-9
ROW HEAD MOUNTINGS AND BRACES (TWIN DRIVE)	10-11
DRIVE BELTS (SINGLE DRIVE).....	12
DRIVE BELT (TWIN DRIVE)	13
CENTER DRIVE AND U-JOINT ASSEMBLIES	14-15
JACKSHAFT ASSEMBLY (VARIABLE AND HYDROSTATIC)	16
HYDROSTATIC JACKSHAFT ASSEMBLY	16
JACKSHAFT (MECHANICAL) AND CHAIN TIGHTENER	17
CORNER IDLER ASSEMBLY	18
BELT TIGHTENER ASSEMBLY	18
PART NUMBER PAGE INDEX.....	19

HARDWARE LEGEND

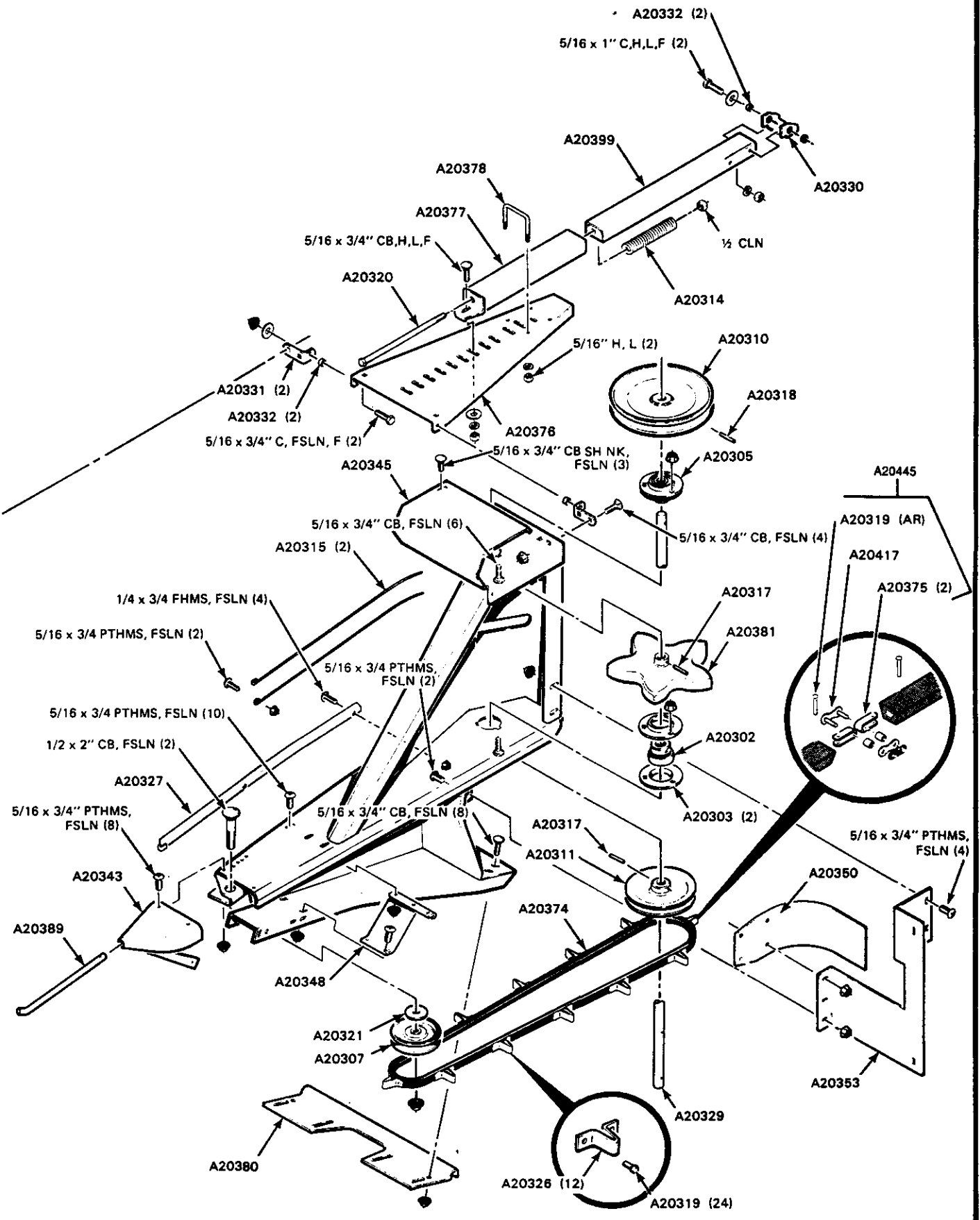
C	Cap Screw	NFC	National Fine Cap Screw
CB	Carriage Bolt	NPTF	National Pipe Taper Fuel
CLN	Center Lock Nut	PHMS	Pan Head Machine Screw
F	Flat Washer	PRHMS	Phillips Round Head Machine Screw
FHMS	Flat Head Machine Screw	PTHMS	Phillips Truss Head Machine Screw
FLCS	Flange Lock Cap Screw	RHMS	Round Head Machine Screw
FSLN	Flange Serrated Lock Nut	SQHSS	Square Head Set Screw
FTCS	Full Thread Cap Screw	SSS	Socket Set Screw
H	Hex Nut	STCS	Self-Tapping Cap Screw
J	Jam Nut	THMS	Truss Head Machine Screw
L	Lock Washer	WHCS	Washer Head Cap Screw
NF	National Fine (All threads are nc unless otherspecified)	OPV	Optional Per Variation

GATHERING HEAD ASSEMBLY



- A20302 (2) Spherical Bearing
- A20303 (4) Bearing Flange
- A20305 (2) Bearing Assembly
- A20307 (3) V-Idler
- A20310 (2) Drive Sheave
- A20311 (2) Driven Sheave
- A20312 (1) Lower Driven Sheave
- A20314 (1) Spring
- A20315 (2) Spring Rod
- A20317 (5) 1/4 x 1-1/2" Roll Pin
- A20318 (2) 1/4 x 1-3/4" Roll Pin
- A20319 (64) Countersunk—Rivet .045 x 0.578 (Box of 350)
- A20320 (1) 1/2 x 9" Cap Screw
- A20321 (3) 11/16" Flat Washer
- A20326 (32) Lug
- A20327 (2) Strip
- A20328 (1) Right Shaft
- A20329 (1) Left Shaft
- A20330 (1) Anchor
- A20331 (2) Anchor Bracket
- A20332 (4) Spacer 9/32" Long
- A20343 (1) Left Nose
- A20344 (1) Right Nose

- A20345 (1) Left Divider
- A20346 (1) Right Divider
- A20347 (1) Stripper
- A20348 (1) Gusset
- A20350 (2) Shield
- A20353 (1) Left Row Shield
- A20354 (1) Right Row Shield
- A20355 (1) Gusset
- A20373 (1) Lower Replacement Belt with Lugs
- A20374 (2) Upper Replacement Belt with Lugs
- A20375 (3) Connector Yoke
- A20376 (1) Support
- A20377 (1) Upper Slide
- A20378 (1) U-Bolt
- A20380 (1) Lower Pivot Bracket
- A20381 (2) Spider
- A20389 (2) Rod
- A20398 (1) Lower Strip
- A20399 (1) Inner Slide
- A20417 (3) No. 35 Special Link Connector, with Bushings
- A20445 — Gathering Belt Conn. Repair Kit

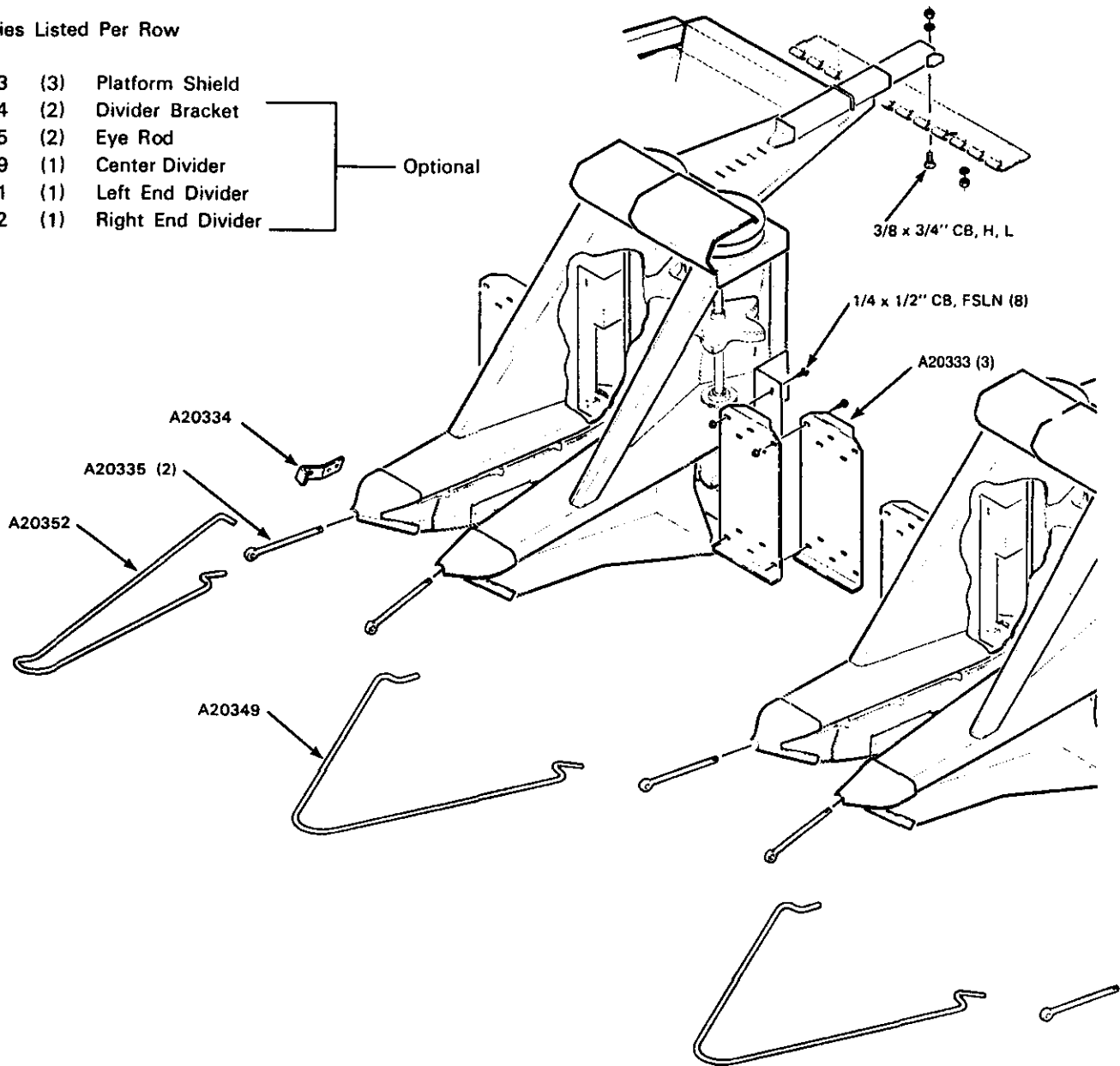


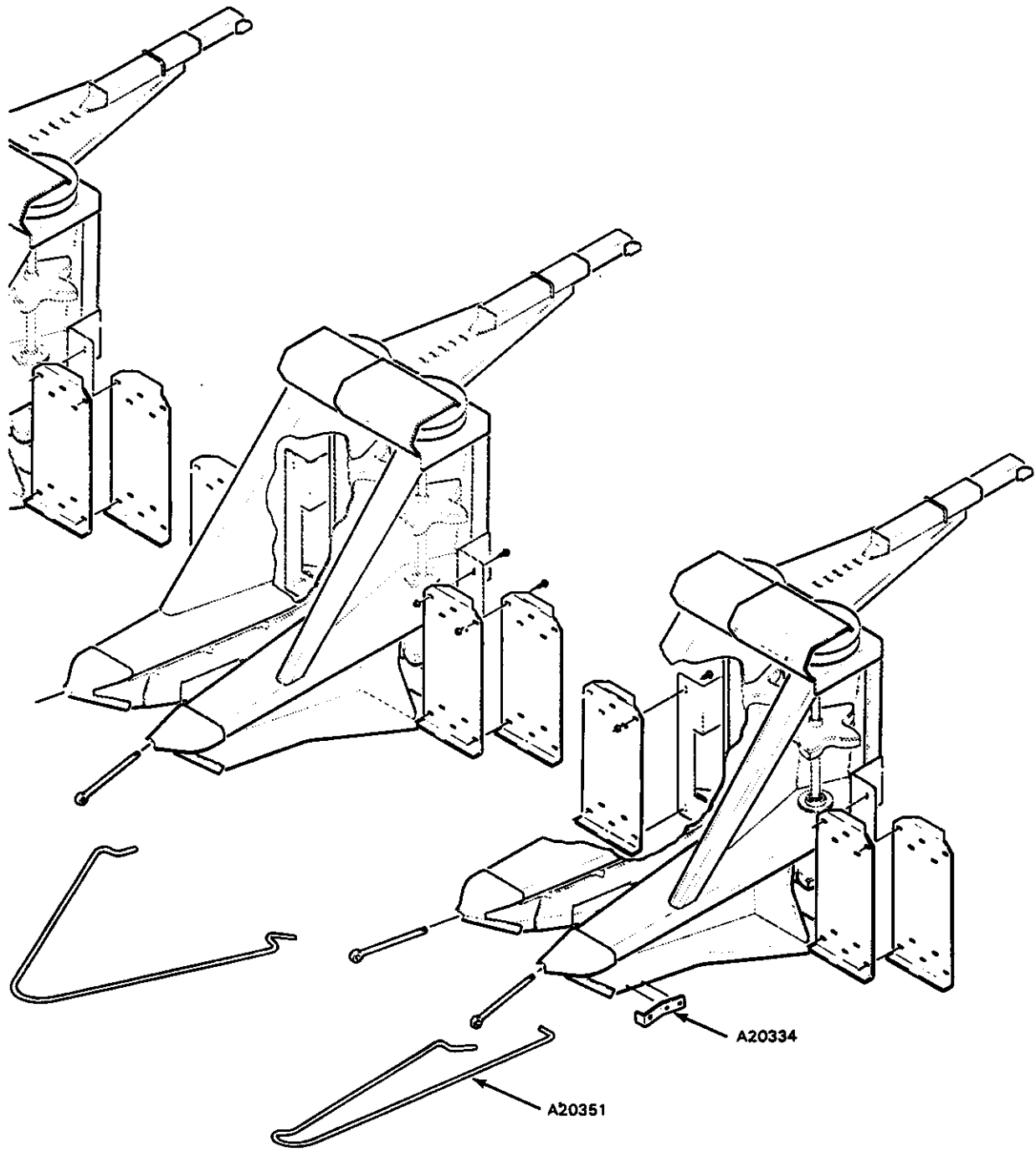
PLATFORM ROW SHIELDS AND ROW DIVIDERS

Quantities Listed Per Row

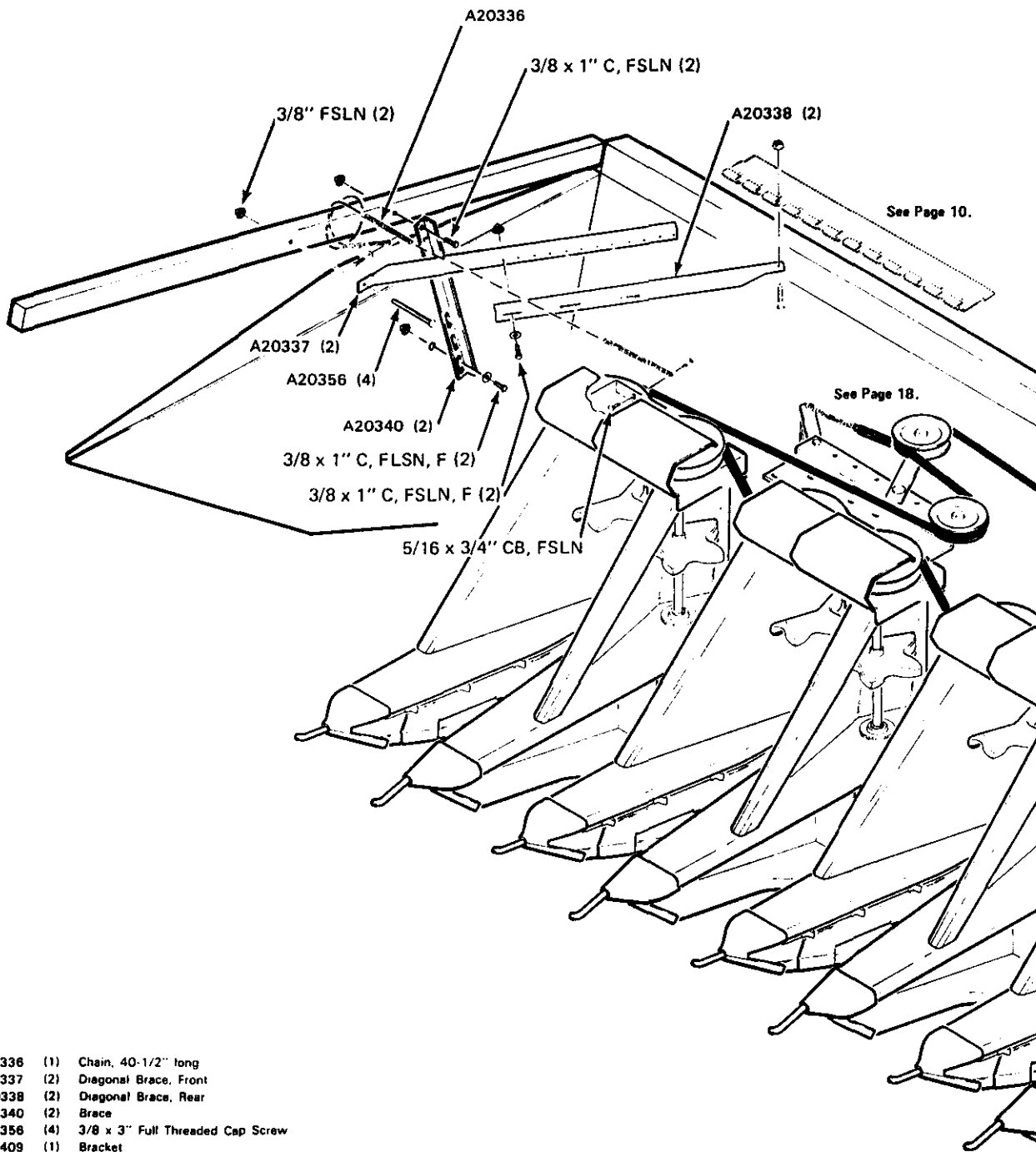
- A20333 (3) Platform Shield
- A20334 (2) Divider Bracket
- A20335 (2) Eye Rod
- A20349 (1) Center Divider
- A20351 (1) Left End Divider
- A20352 (1) Right End Divider

Optional





ROW HEAD MOUNTINGS AND BRACES (SINGLE DRIVE)



- A20336 (1) Chain, 40-1/2" long
- A20337 (2) Diagonal Brace, Front
- A20338 (2) Diagonal Brace, Rear
- A20340 (2) Brace
- A20356 (4) 3/8 x 3" Full Threaded Cap Screw
- A20409 (1) Bracket
- A20412 (2) Brace

See Page 12.

3/8 x 1" CB, FSLN (2)

A20412 (2)

3/8 x 1-1/4" CB, FSLN (2)

A20409

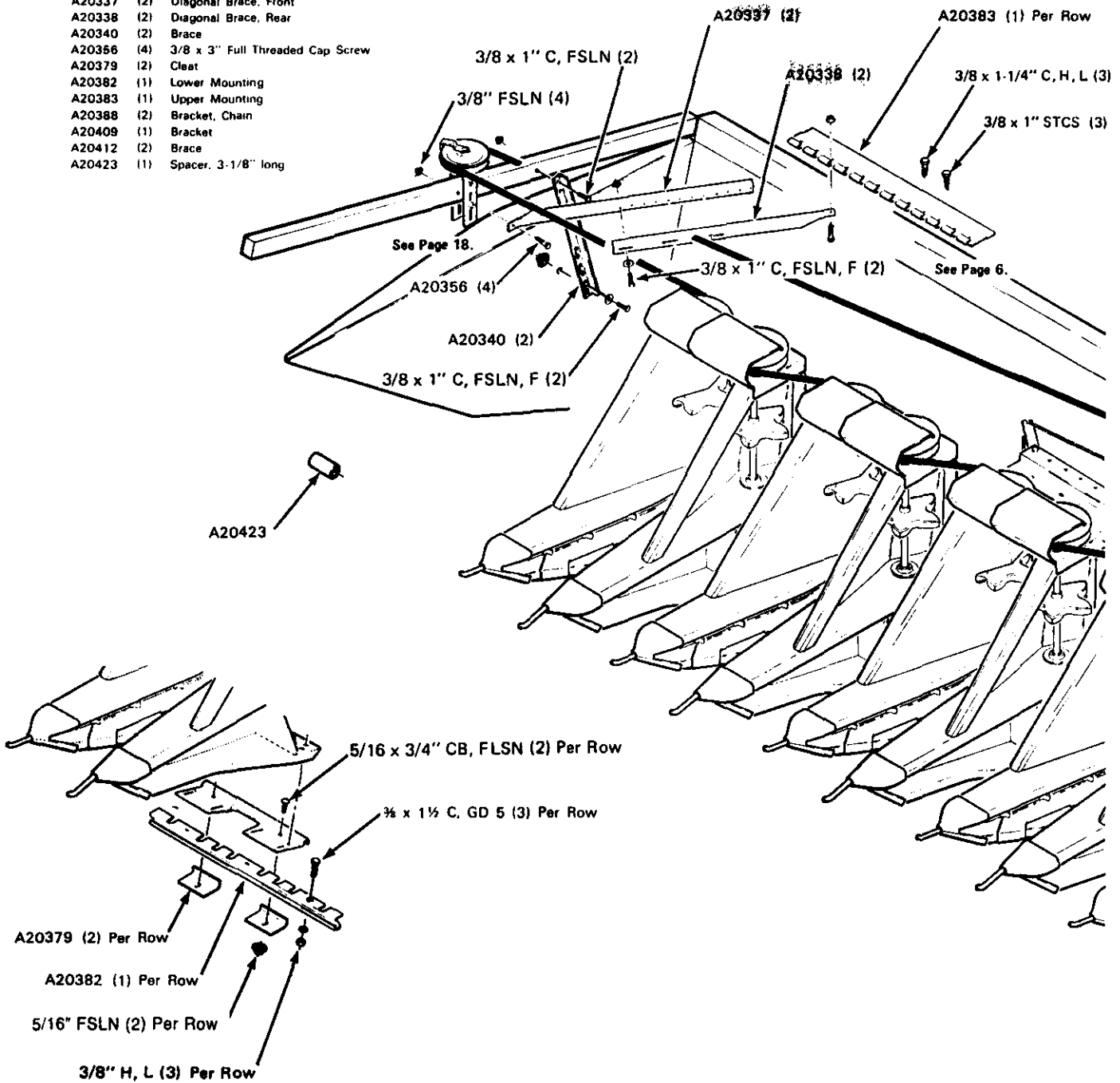
See Pages 16 and 17.

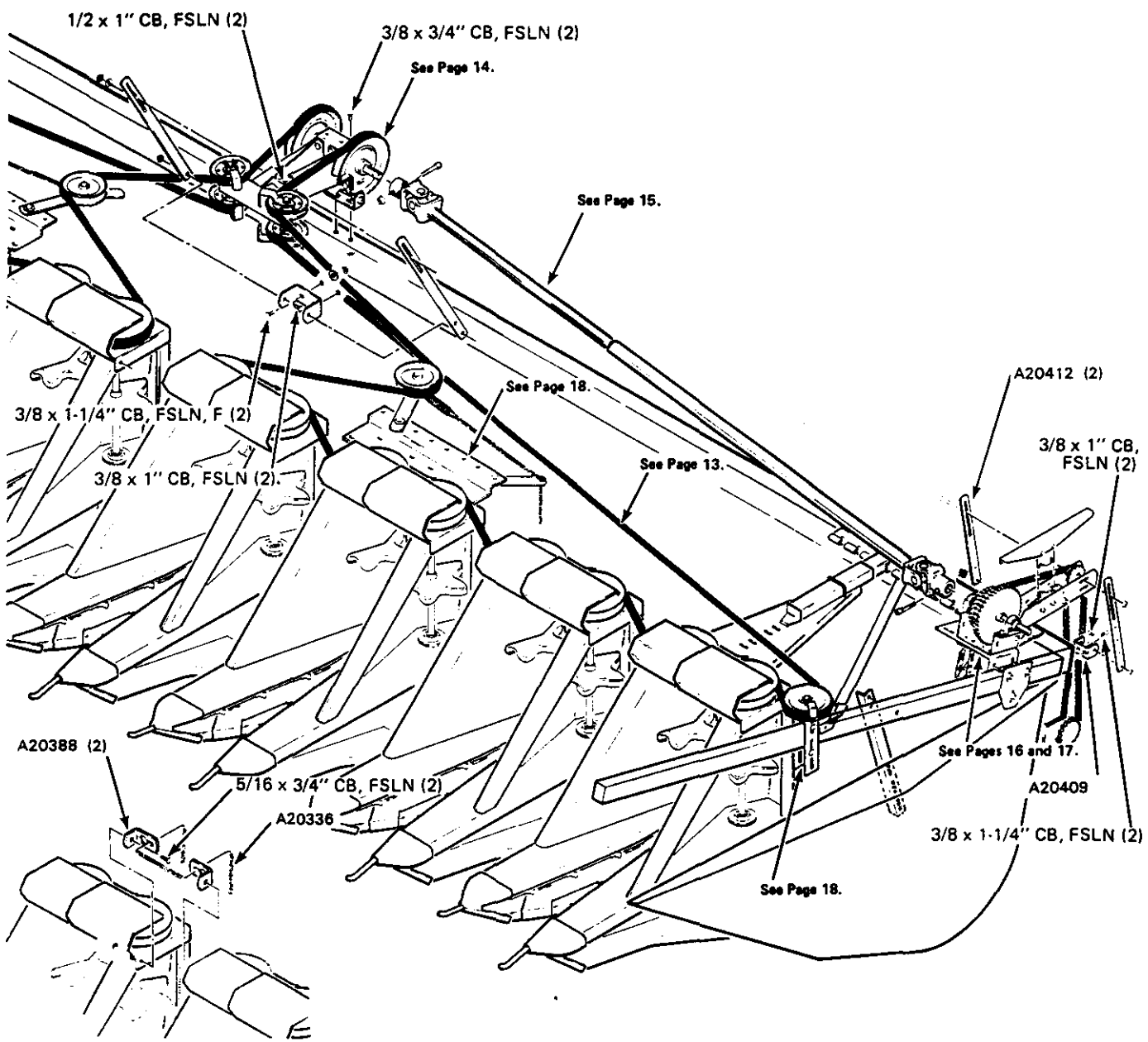
See Page 18.

See Page 18.

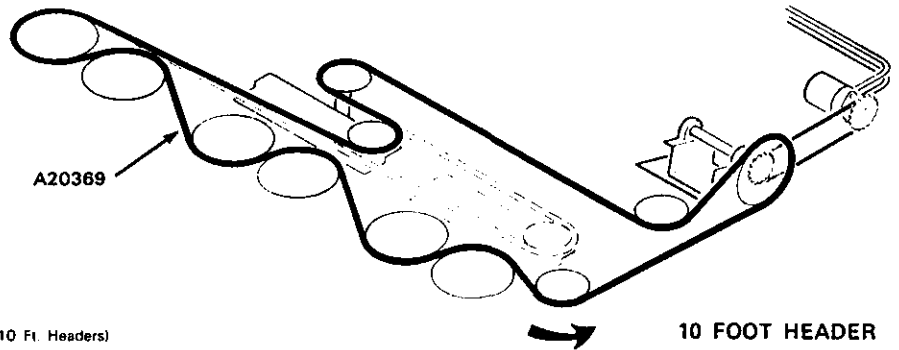
ROW HEAD MOUNTINGS AND BRACES (TWIN DRIVE)

- A20336 (1) Chain, 40-1/2" long
- A20337 (2) Diagonal Brace, Front
- A20338 (2) Diagonal Brace, Rear
- A20340 (2) Brace
- A20356 (4) 3/8 x 3" Full Threaded Cap Screw
- A20379 (2) Cleat
- A20382 (1) Lower Mounting
- A20383 (1) Upper Mounting
- A20388 (2) Bracket, Chain
- A20409 (1) Bracket
- A20412 (2) Brace
- A20423 (1) Spacer, 3-1/8" long

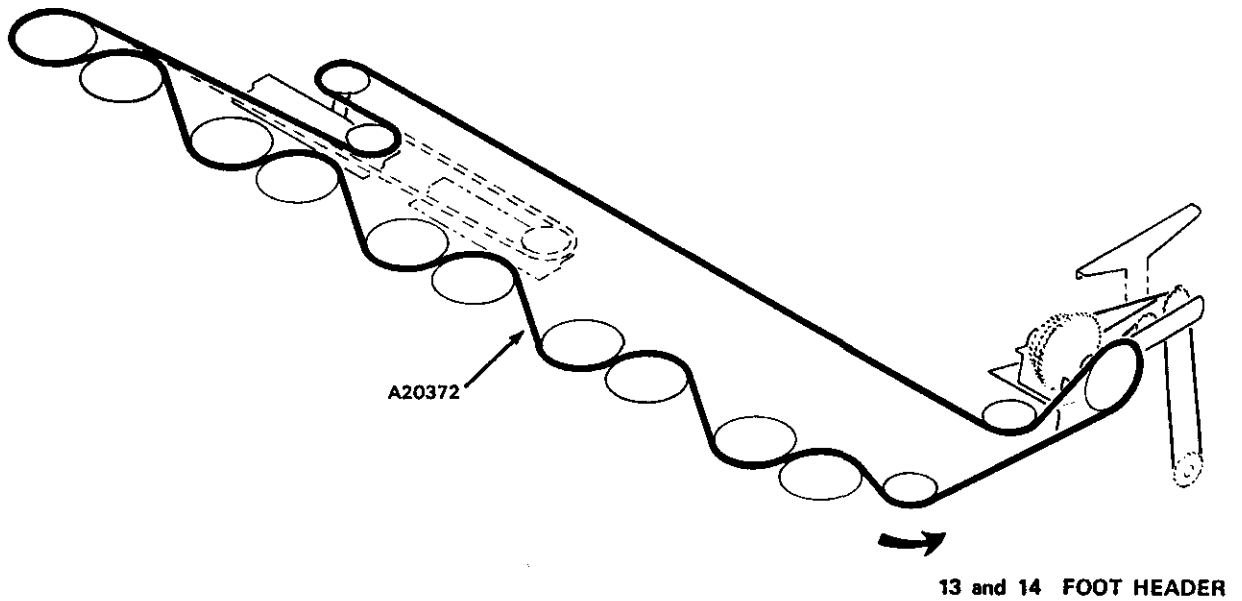
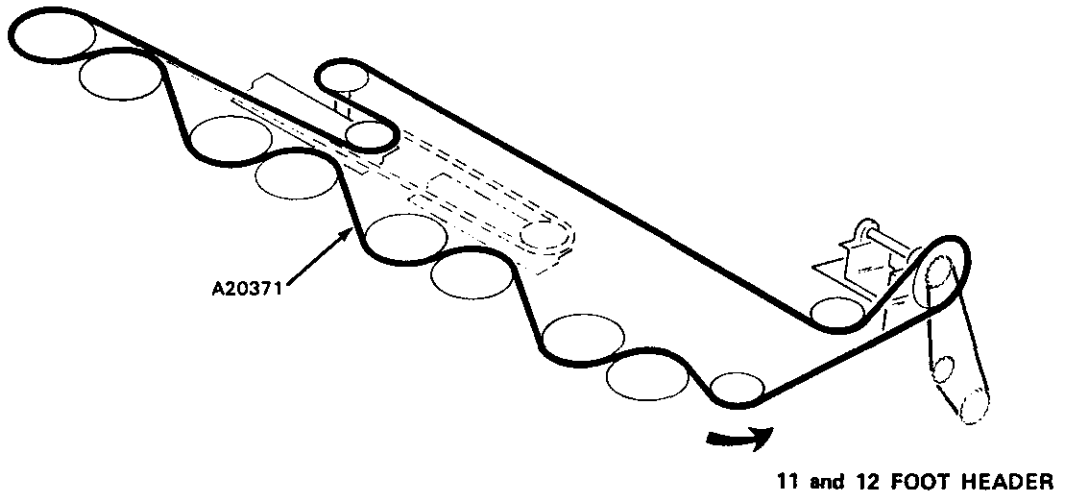




DRIVE BELTS (SINGLE DRIVE)

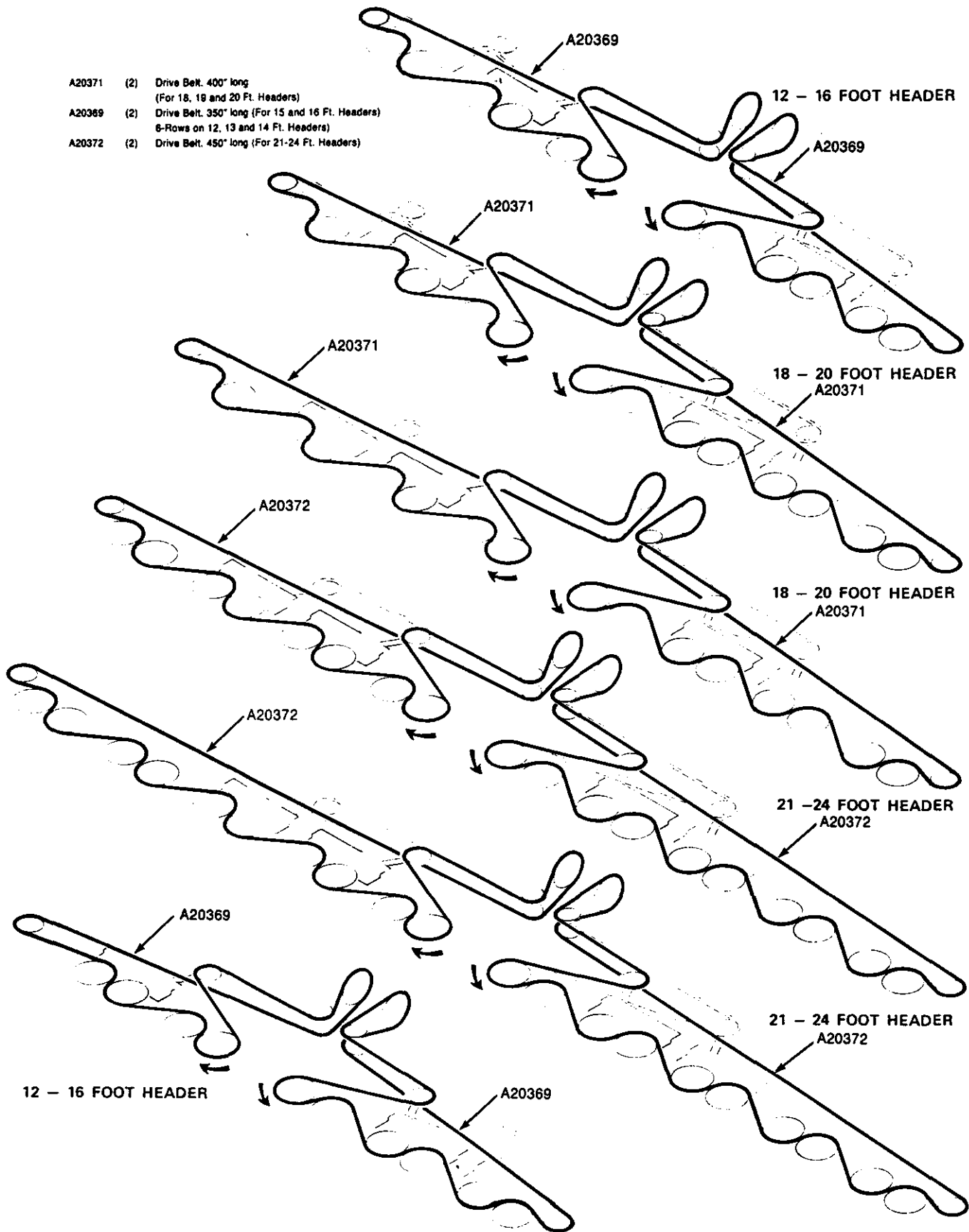


- A20369 (1) Drive Belt, 350" long (For 10 Ft. Headers)
- A20371 (1) Drive Belt, 400" long (For 11 and 12 Ft. Headers)
- A20372 (1) Drive Belt, 450" long (For 13 and 14 Ft. Headers)

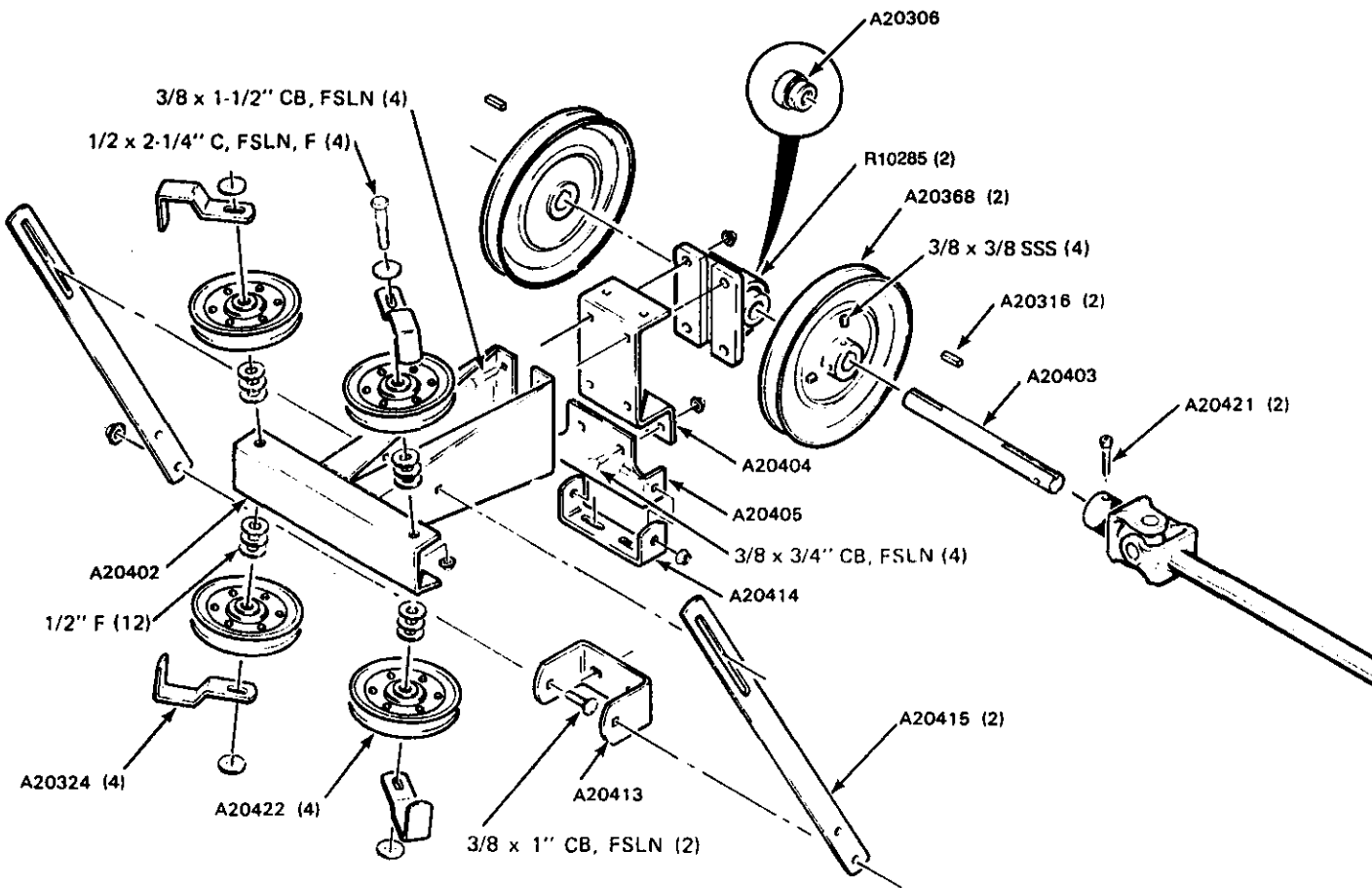


DRIVE BELTS (TWIN DRIVE)

- A20371 (2) Drive Belt. 400" long
(For 18, 19 and 20 Ft. Headers)
- A20369 (2) Drive Belt. 350" long (For 15 and 16 Ft. Headers)
6-Rows on 12, 13 and 14 Ft. Headers)
- A20372 (2) Drive Belt. 450" long (For 21-24 Ft. Headers)

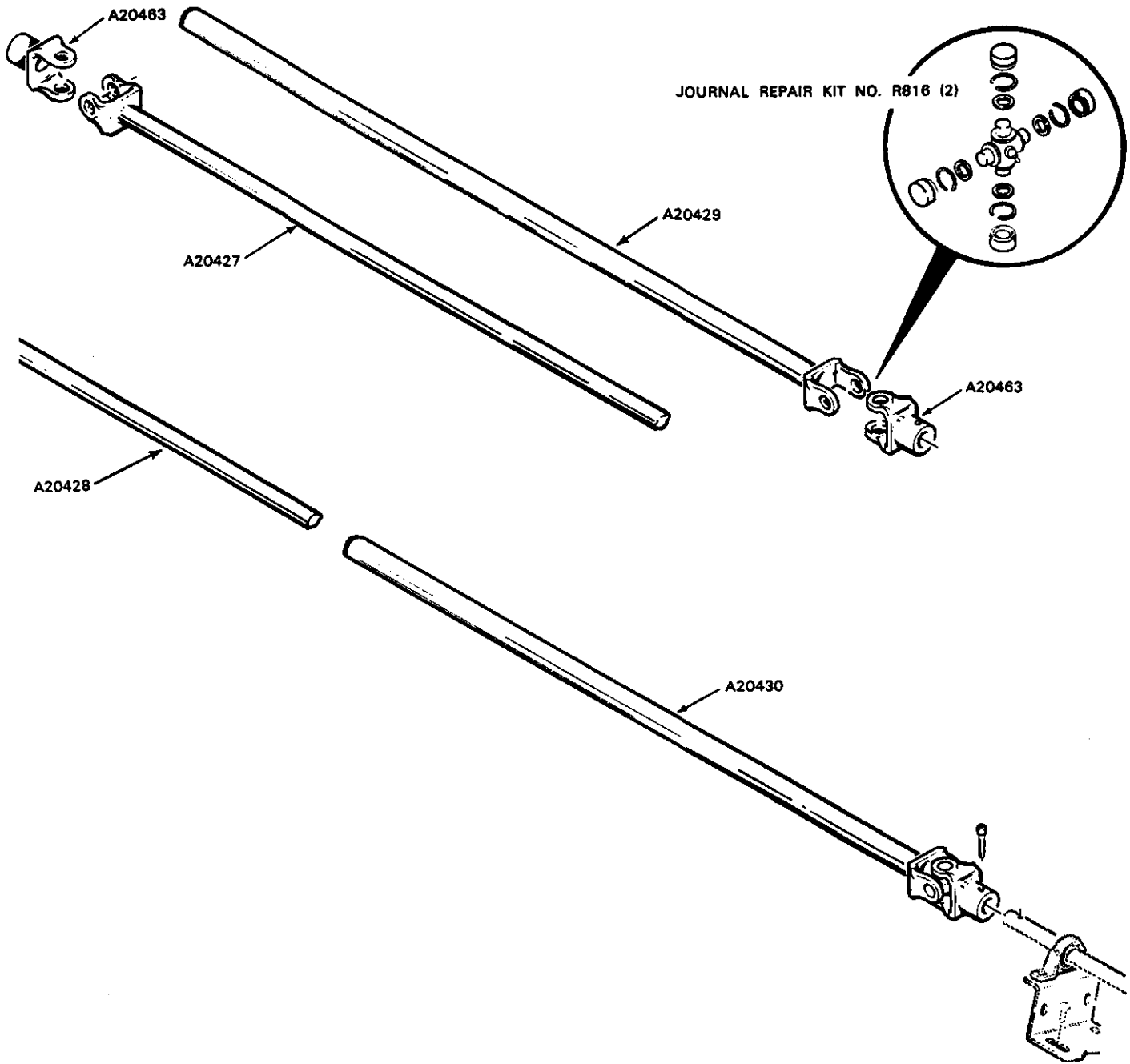


CENTER DRIVE AND U-JOINT ASSEMBLIES



- A20306 (2) Spherical Bearing
- A20422 (4) V-Idler, 5 1/2" Dia.
- A20316 (2) 1/4 x 1/4 x 1 1/4" Key
- A20324 (4) Belt Guide
- R10285 (2) Pillow Block Bearing
- R816 (2) Journal Repair Kit
- A20428 (1) U-Joint and Shaft Assembly, Inner
- A20427 (1) Yoke and Shaft, Inner
- A20430 (1) U-Joint and Tube Assembly, Outer
- A20429 (1) Yoke and Tube, Outer

- A20463 (2) Fitting Yoke
- A20368 (2) Sheave, 9 1/2" Dia.
- A20402 (1) Idler Mounting Bracket
- A20403 (1) Shaft
- A20404 (1) Mounting Plate
- A20405 (1) Bracket
- A20413 (2) Bracket
- A20414 (1) Bracket
- A20415 (2) Brace
- A20421 (2) 5/16 x 2" Socket Head Cap Screw

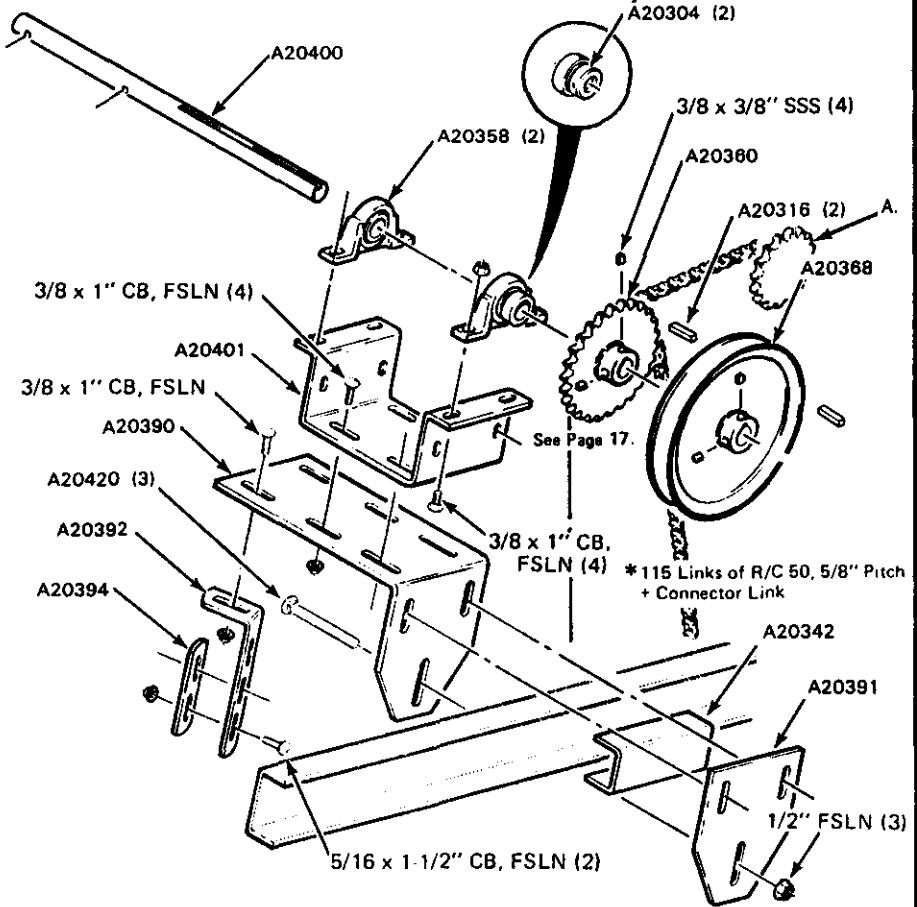


JACKSHAFT ASSEMBLY (VARIABLE AND HYDROSTATIC SINGLE)

- A20304 (2) Spherical Bearing
- A20316 (2) 1/4 x 1/4 x 1-1/4" Key
- A20342 (1) Filler
- A20358 (2) Pillow Block Bearing
- A20360 (1) Sprocket, 26-Tooth
- A20368 (1) Sheave, 9-1/2" Dia. (Single Only)
- A20390 (1) Mounting Bracket
- A20391 (1) Plate
- A20392 (1) Clamp
- A20394 (1) Strap
- A20400 (1) Shaft
- A20401 (1) Bearing Mounting
- A20420 (3) 1/2 x 5" Full Thread Carriage Bolt

**(BELT VARIABLE SINGLE
and TWIN DRIVE)**

(HYDROSTATIC SINGLE)



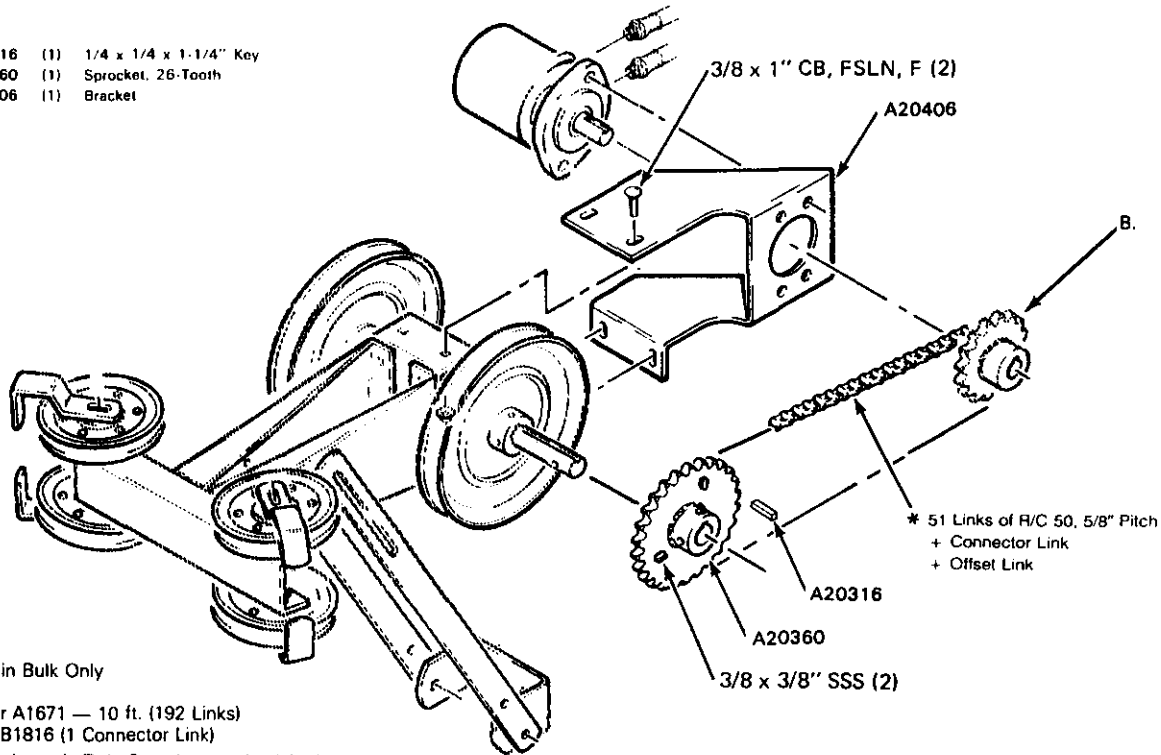
A. Hydrostatic Single
Sprocket, Not Furnished

* Sold in Bulk Only

Order A1671 — 10 ft. (152 Links)
Plus B1816 (1 Connector Link)

— HYDROSTATIC TWIN DRIVE JACKSHAFT ASSEMBLY

- A20316 (1) 1/4 x 1/4 x 1-1/4" Key
- A20360 (1) Sprocket, 26-Tooth
- A20406 (1) Bracket



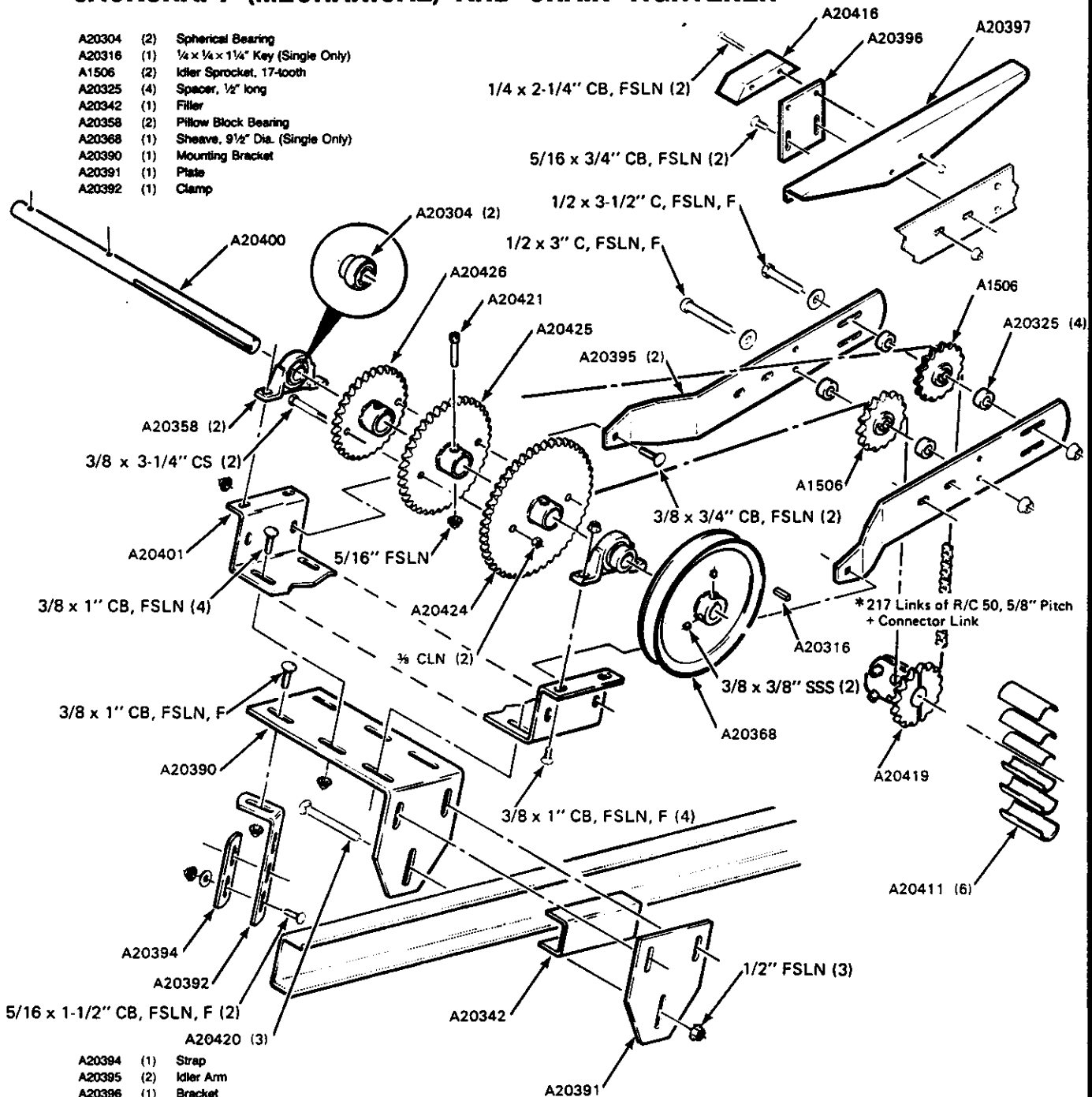
* Sold in Bulk Only

Order A1671 — 10 ft. (192 Links)
Plus B1816 (1 Connector Link)

B. Hydrostatic Twin Sprocket, not furnished.

JACKSHAFT (MECHANICAL) AND CHAIN TIGHTENER

- A20304 (2) Spherical Bearing
- A20316 (1) 1/4 x 1/4 x 1 1/4" Key (Single Only)
- A1506 (2) Idler Sprocket, 17-Tooth
- A20325 (4) Spacer, 1/2" long
- A20342 (1) Filler
- A20358 (2) Pillow Block Bearing
- A20368 (1) Sheave, 9 1/2" Dia. (Single Only)
- A20390 (1) Mounting Bracket
- A20391 (1) Plate
- A20392 (1) Clamp



- A20394 (1) Strap
- A20395 (2) Idler Arm
- A20396 (1) Bracket
- A20397 (1) Shield, Drive
- A20400 (1) Shaft
- A20401 (1) Bearing Mounting
- A20411 (6) Half Shim
- A20416 (1) Wood Block
- A20419 (1) Sprocket, Clamp-On, 16-Tooth
- A20424 (1) Sprocket, 43-Tooth
- A20425 (1) Sprocket, 36-Tooth
- A20426 (1) Sprocket, 30-Tooth
- A20420 (3) 1/2 x 5" Full Threaded Carriage Bolt
- A20421 (1) 5/16 x 1 3/4" Socket Head Cap Screw

*Sold in Bulk Only

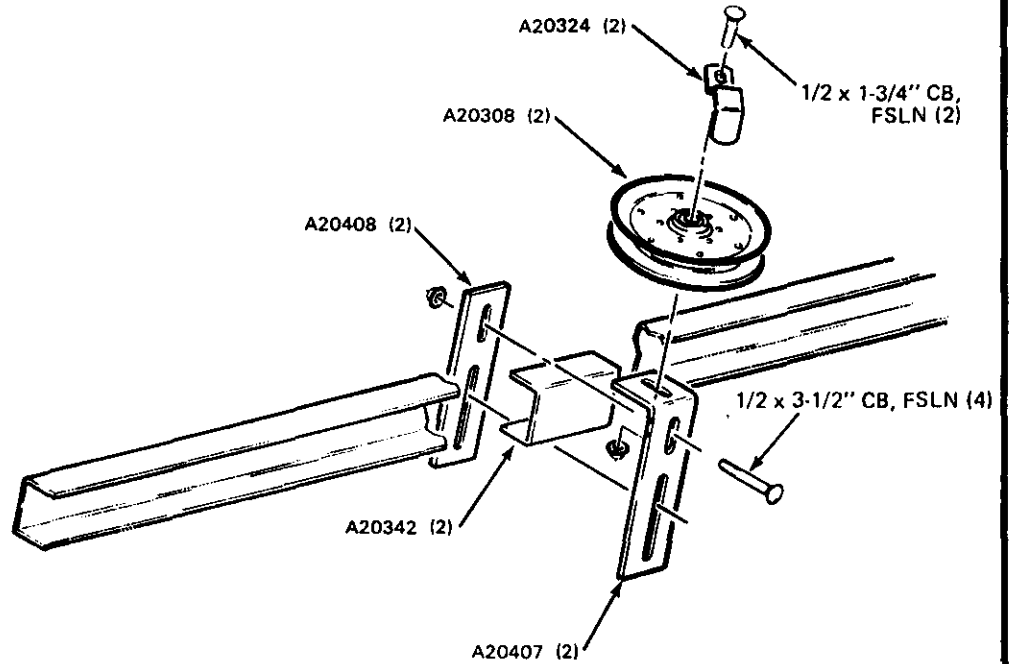
Order (2) — A1671 — 10 ft. (192 Links)
Plus B1816 (1 Connector Link)

See Page 9 for Support Straps.

(SINGLE and TWIN DRIVE)

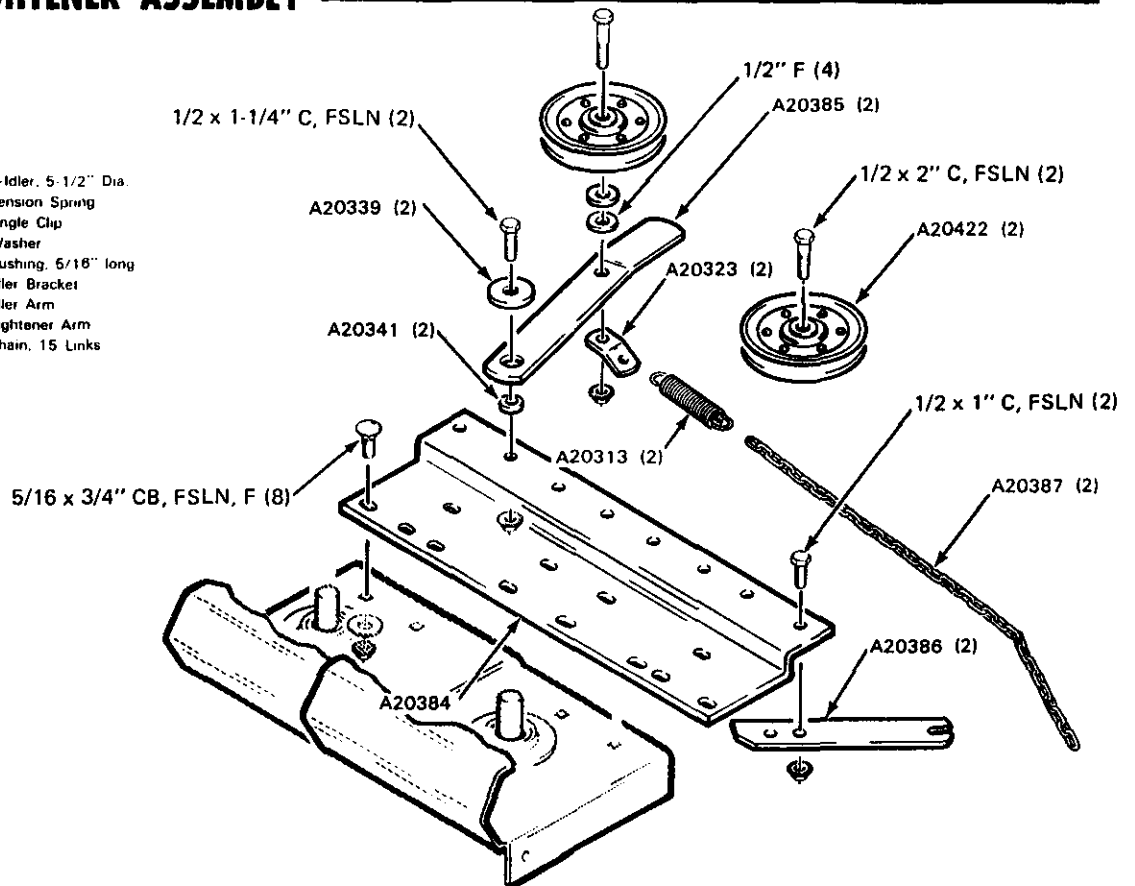
CORNER IDLER ASSEMBLY

- A20308 (2) V-Idler, 7-5/16" Dia.
- A20324 (2) Belt Guide
- A20342 (2) Filler
- A20407 (2) Clamp
- A20408 (2) Strap



BELT TIGHTENER ASSEMBLY

- A20422 (2) V-Idler, 5-1/2" Dia.
- A20313 (2) Tension Spring
- A20323 (2) Angle Clip
- A20339 (2) Washer
- A20341 (2) Bushing, 5/16" long
- A20384 (2) Idler Bracket
- A20385 (2) Idler Arm
- A20386 (2) Tightener Arm
- A20387 (2) Chain, 15 Links



Part Number Page Index

A1506	17	A20342	16, 17, 18	A20392	16, 17
A1671	16, 17	A20343	4	A20394	16, 17
A20302	4	A20344	4	A20395	17
A20303	4	A20345	4	A20396	17
A20304	16, 17	A20346	4	A20397	17
A20305	4	A20347	4	A20398	4
A20306	14	A20348	4	A20399	4
A20307	4	A20349	6	A20400	16, 17
A20308	18	A20350	4	A20401	16, 17
A20310	4	A20351	6	A20402	14
A20311	4	A20352	6	A20403	14
A20312	4	A20353	4	A20404	14
A20313	18	A20354	4	A20405	14
A20314	4	A20355	4	A20406	16
A20315	4	A20356	8, 10	A20407	18
A20316	14, 16, 17	A20358	16, 17	A20408	18
A20317	4	A20360	16	A20409	8, 10
A20318	4	A20368	14, 16, 17	A20411	17
A20319	4	A20369	12, 13	A20412	8, 10
A20320	4	A20370	13	A20413	14
A20321	4	A20371	12, 13	A20414	14
A20323	18	A20372	12	A20415	14
A20324	14, 18	A20373	4	A20416	17
A20325	17	A20374	4	A20417	4
A20326	4	A20375	4	A20419	17
A20327	4	A20376	4	A20420	16, 17
A20328	4	A20377	4	A20421	14, 17
A20329	4	A20378	4	A20422	14, 18
A20330	4	A20379	10	A20423	10
A20331	4	A20380	4	A20424	17
A20332	4	A20381	4	A20425	17
A20333	6	A20382	10	A20426	17
A20334	6	A20383	10	A20427	14
A20335	6	A20384	18	A20428	14
A20336	8, 10	A20385	18	A20429	14
A20337	8, 10	A20386	18	A20430	14
A20338	8, 10	A20387	18	A20463	14
A20339	18	A20388	10	B1816	16, 17
A20340	8, 10	A20389	4	R816	14
A20341	18	A20390	16, 17	R10285	14
		A20391	16, 17		