

J. E. LOVE CO.

GARFIELD, WASH.

MANUFACTURERS
OF:

TINED REELS



DOUBLE SICKLE CUTTER BAR

DESIGNED FOR TOUGH TO CUT CROPS

The Love Double Sickle Cutter Bar is designed to do a fast, clean cutting job in heavy, low growing crops such as Ladino clover . . . in down tangled alfalfa . . . in fields with mice nests and mole hills . . . and in rocky soil conditions.

NO GUARDS!

Because of Love's double sickle design, this bar does not need guards. It "throws out" obstacles that foul the ordinary sickle. This means fewer stops in the field, because there is no bunching of crops on guards.

LOWER MAINTENANCE COST

No guards to be replaced. The Love Double Sickle Cutter Bar uses base plate sections which can be replaced at a fraction of the cost of guards. Less breakage — the Double Sickle "throws out" small rocks and other obstacles that cause breakage to an ordinary cutter bar with guards.

FITS MOST REGULAR MOWERS

Most standard mowers can be converted to the Double Sickle Bar. It requires only the removal of the regular bar and installation of the Double Sickle Cutter Bar in its place.

Put the LOVE DOUBLE SICKLE CUTTER BAR to work for you this harvest season. You'll realize higher profits through time saved in the field and lower maintenance costs.

See Your Local Implement Dealer or Write:

Manufacturers of Quality Specialized Harvesting Equipment

**FLEXIBLE FLOATING
CUTTER BARS**

**DOUBLE SICKLE
CUTTER BAR**

**REGULAR CLOVER
CUTTING BARS**

**PEA AND
BEAN PICKUP
LIFTER GUARDS**

TRACTOR ROWERS

**GREEN CROP
LOADERS**

**GOOLEY SPRING
TOOTH HARROWS**

**J. E. LOVE
COMPANY**

Garfield, Wash.

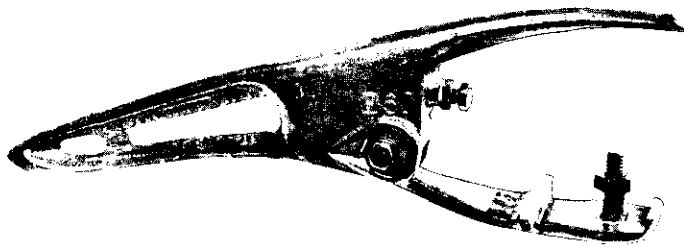
ME 5-2321

ME 5-2311



REGULAR CLOVER BAR

Really SHAVES the ground in normal cutting conditions. Available for most models of mowers in five, six and seven foot lengths.



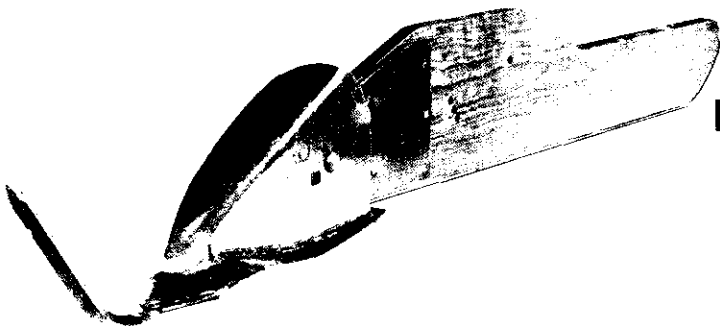
NO. 6 LIFTER GUARD

Designed for use with the Love Double Sickle Cutter. Lifts flat lying crops to allow clean, even cutting. No sagging . . . you harvest all the crop.



DOUBLE SICKLE BASE PLATES

To convert cutter bars of self-propelled swathers and combines to Double Sickle cutter bars. Available in sections of 1, 3, and 4 sections.



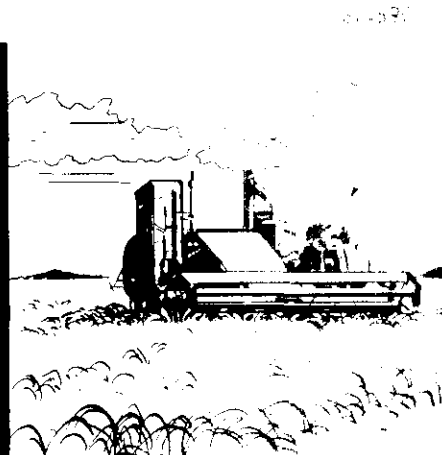
DIVIDER GRASS BOARD SHOE

Available for Double Sickle Cutter Bar. Attached to end of bar to divide crop as it is cut, leaving a clear path to show start of next swath.

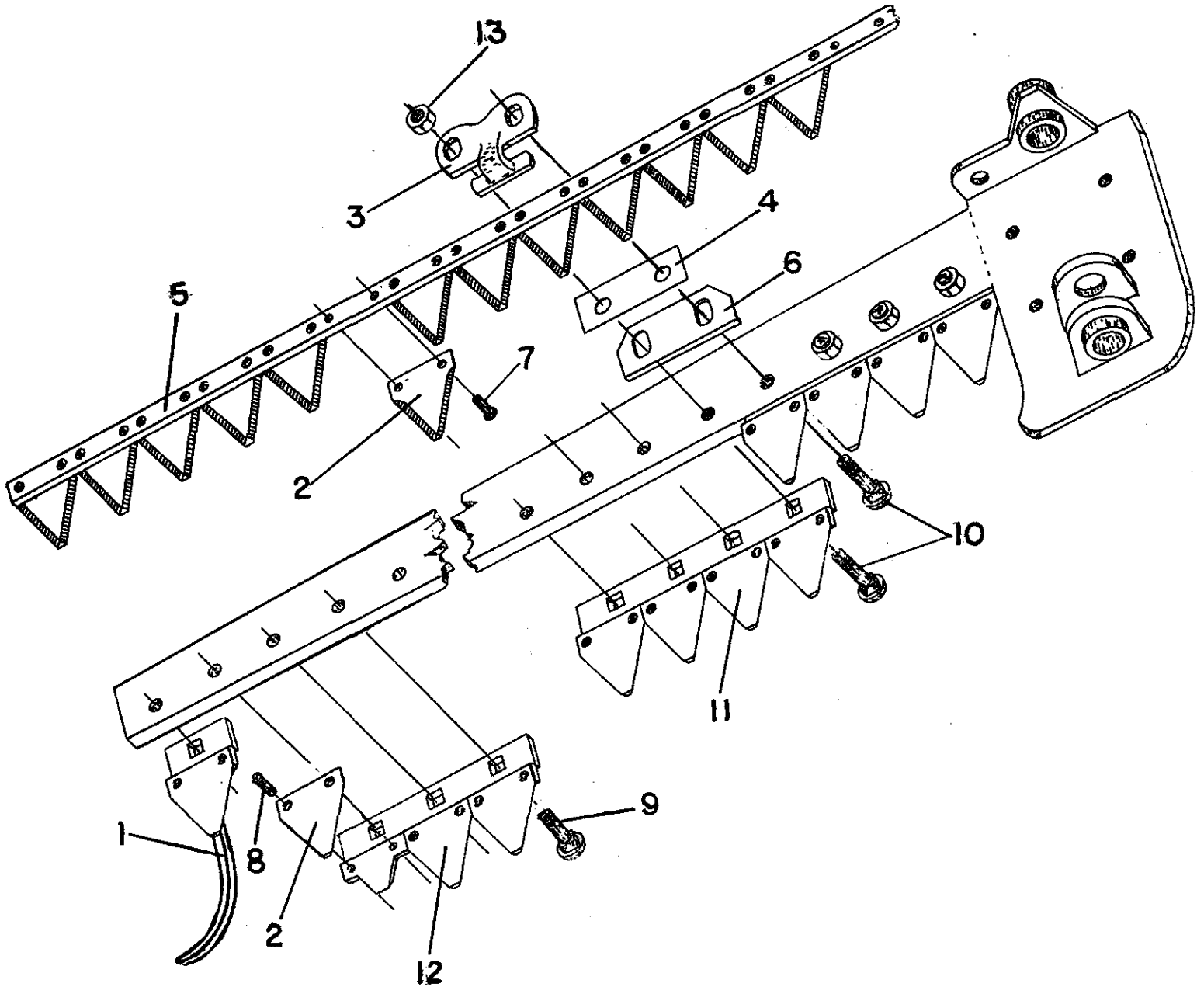
Working for many years hand in hand with the farmer in solving difficult and costly problems, the J. E. Love Company has pioneered in the manufacture of special harvesting and farm equipment. The years of experience and "know how" built into each J. E. Love "job tested" part and each piece of equipment are your assurance of long, dependable, trouble-free operation.

J. E. LOVE COMPANY

Garfield, Wash.



Double sickle mower bar



J.E. LOVE COMPANY

LOVE.

Double sickle mower bar

Double sickle mower bar

Key	Part no.	Description
1	L8DS	Double sickle outer divider, standard
	L8DSC	Double sickle outer divider, chrome
2	L191D	Sickle section, under serrated, CSK
	L191DC	Sickle section, under serrated,chrome, CSK
	L192D	Sickle section, top serrated, CSK
		Sickle section, top serrated, chrome, CSK
3	L214	Knife clip
4	L221S	Shim, knife clip
5	L230	5ft. Sickle W/L192D sections, less knife head
	L230C	5ft. Sickle W/L192DC sections, less knife head
	L230B	5ft. Sickle W/L191D sections, less knife head
	L230BC	5ft. Sickle W/L191DC sections, less knife head
	L231	6ft. Sickle W/L192D sections, less head
	L231C	6ft. Sickle W/L192DC sections, less knife head
	L231B	6ft. Sickle W/L191D sections, less knife head
	L231BC	6ft. Sickle W/L191DC sections, less knife head
	L232	7ft. Sickle W/L192D sections, less knife head
	L232C	7ft. Sickle W/L192DC sections, less knife head
	L232B	7ft. Sickle W/L191D sections, less knife head
	L232BC	7ft. Sickle W/L191DC sections, less knife head
6	L260	Wear plate , standard
7	L325B	Rivet, CSK head #5 1/2" x 1/2", 1 lb. box
8	L325D	Rivet, CSK head #5 1/2" x 3/4", 1 lb. box
9	L332	Carriage bolt, 7/16"NC x 1 1/4" [X2B0430125]
10	L333	Carriage bolt, 7/16"NC x 1 1/2" [X2B0430150]
11	L500	Base plate, W/4 L191D sections
	L500C	Base plate, W/4 L191DC sections
	L506	Base plate, W/4 L192D sections
	L506C	Base plate, W/4 L192DC sections
12	L501	Base plate, W/3 L191D sections
	L501C	Base plate, W/3 L191DC sections
	L507	Base plate, W/3 L192D sections
	L507C	Base plate, W/3 L192DC sections
13	X2C043	Hex nut, 7/16"NC