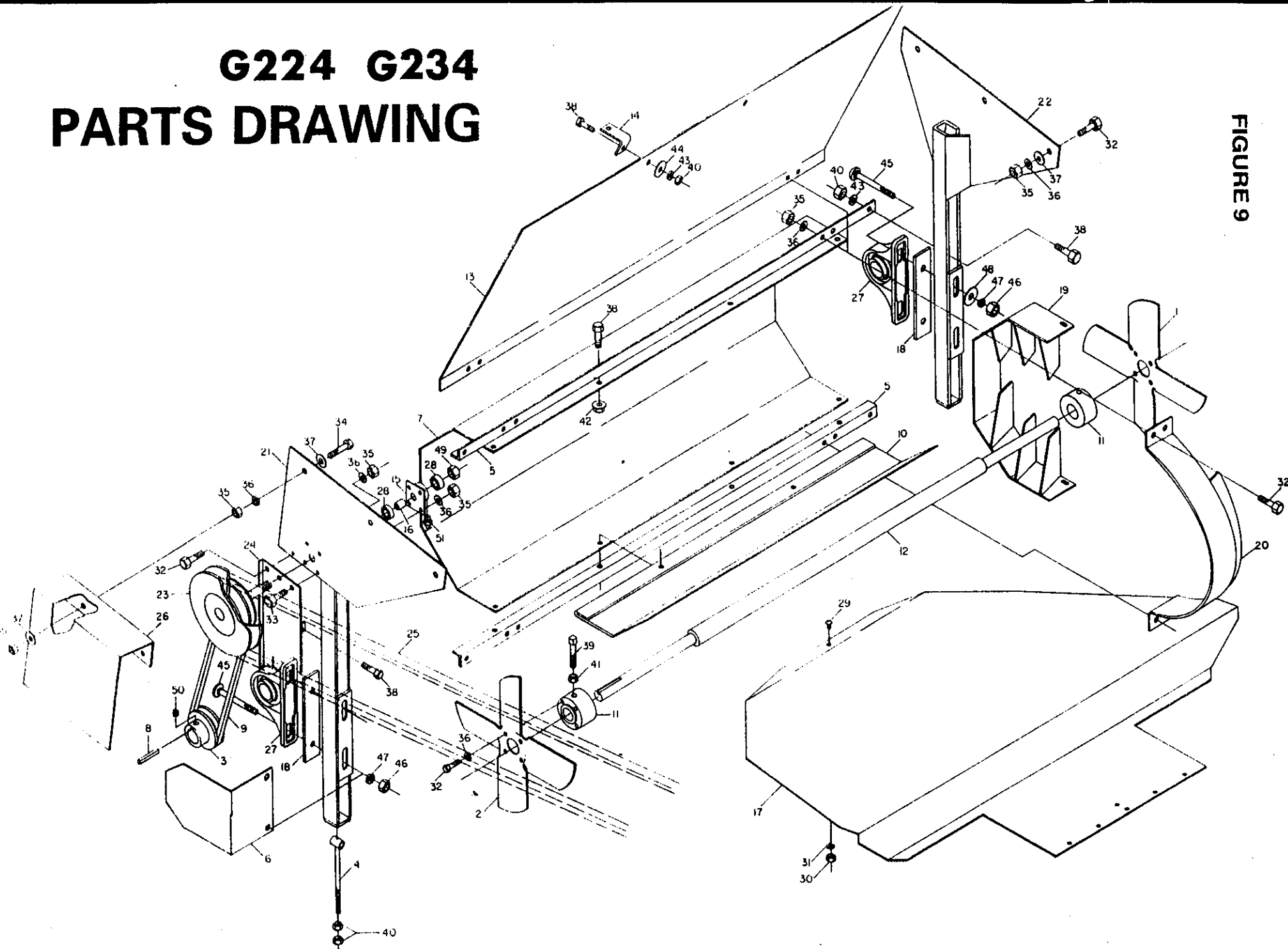


# G224 G234 PARTS DRAWING

FIGURE 9



# CHAFF SPREADER

G224 FOR JOHN DEERE 6622 WITH STRAW SPREADER

G234 FOR J D 6622 TITAN II WITH STRAW SPREADER

## PARTS LISTING

<u>KEY</u>	<u>PART NUMBER</u>	<u>DESCRIPTION</u>	<u>QTY USED</u>
1	G10054	FAN, COUNTER CLOCKWISE	1
2	G10053	FAN, CLOCKWISE	1
3	G10067	4.12 DIA PULLEY, 1-3/16" BORE	1
4	G10069	FAN BELT TIGHTENER	2
5	G10078	SHIELD ANGLE	2
6	G10080	PULLEY SHIELD	1
7	G10082	SHROUD	1
8	G10087	KEY, 1/4 X 1-1/2	1
9	G10094	425 LENGTH VEE BELT	1
10	G10098	CATCH PAN	1
11	G10119	HUB	2
12	G10120	SHAFT	1
13	G10144	CHAFF DEFLECTOR	1
14	G10145	DEFLECTOR BRACKET	1
15	G10211	BEARING BLOCK	1
16	G10213	BEARING SPACER	1
17	G10450	SHAKER PAN (G224 ONLY)	1
	G10446	SHAKER PAN (G234 ONLY)	1
18	G10245	BACKING PLATE	2
19	G10285	VANE	2
20	G10286	GATE	2
21	G10377	DRIVE MOUNT BRACKET ASSEMBLY	1
	G10500	RUBBER BUSHING, MODIFIED	(2)
	G10501	MOUNTING LEG	(1)
	G10514	DRIVE MOUNTING BRACKET	(1)
22	G10378	MOUNTING BRACKET ASSEMBLY	1
	G10500	RUBBER BUSHING, MODIFIED	(2)
	G10501	MOUNTING LEG	(1)
	G10515	DRIVE MOUNTING BRACKET	(1)
23	G10379	IDLER SHAFT & PULLEY	1
24	G10380	BELT GUARD	1
25	G10185	C210 V-BELT	1
26	G10409	DRIVE SHIELD	1
27	R10299	BEARING	2
28	R10220B	BEARING	2
29	X2K0250077	1/4-20 UNC X 3/4 PAN HD SCREW	1
30	X2C025	1/4-20 UNC HEX NUT	1
31	X3B025	1/4 LOCKWASHER	1
32	X2A0310075	5/16-18 UNC X 3/4 CAPSCREW	13
33	X2A0310100	5/16-18 UNC X 1 CAPSCREW	4
34	X2A0310125	5/16-18 UNC X 1-1/4 CAPSCREW	2
35	X2C031	5/16-18 UNC HEX NUT	21
36	X3B031	5/16 LOCKWASHER	19
37	X3C031	5/16 FLAT WASHER	8
38	X2A0370100	3/8-16 UNC X 1 CAP SCREW	14
39	X2F037125	3/8-16 UNC X 1-1/2 SQUARE HD SET SCR	(4)
40	X2C037	3/8-16 UNC HEX NUT	10
41	X2D037	3/8-16 UNC HEX JAM NUT	(4)
42	X2E037-SF2	B1818, 3/8-16 UNC SM FLNG SIDE	8
43	X3B037	3/8 LOCKWASHER	6
44	X3C037	3/8 FLATWASHER	2
45	X2B0500350	1/2-13 UNC X 3-1/2 CARRIAGE	2
46	X2E050-NF2	1/2-13 UNC NO FLANGE SIDE LOCK	4
47	X3B050	1/2 LOCKWASHER	4
48	X3C050	1/2 FLATWASHER	4
49	X2C075	3/4-10 UNC HEX NUT	1
50	X2K0370050	3/8-16 UNC X 1/2 SOCKET SET SCREW	(2)
51	X6A5000	1/8 NPT X 180 ZERK	(1)

# J. E. LOVE CO.