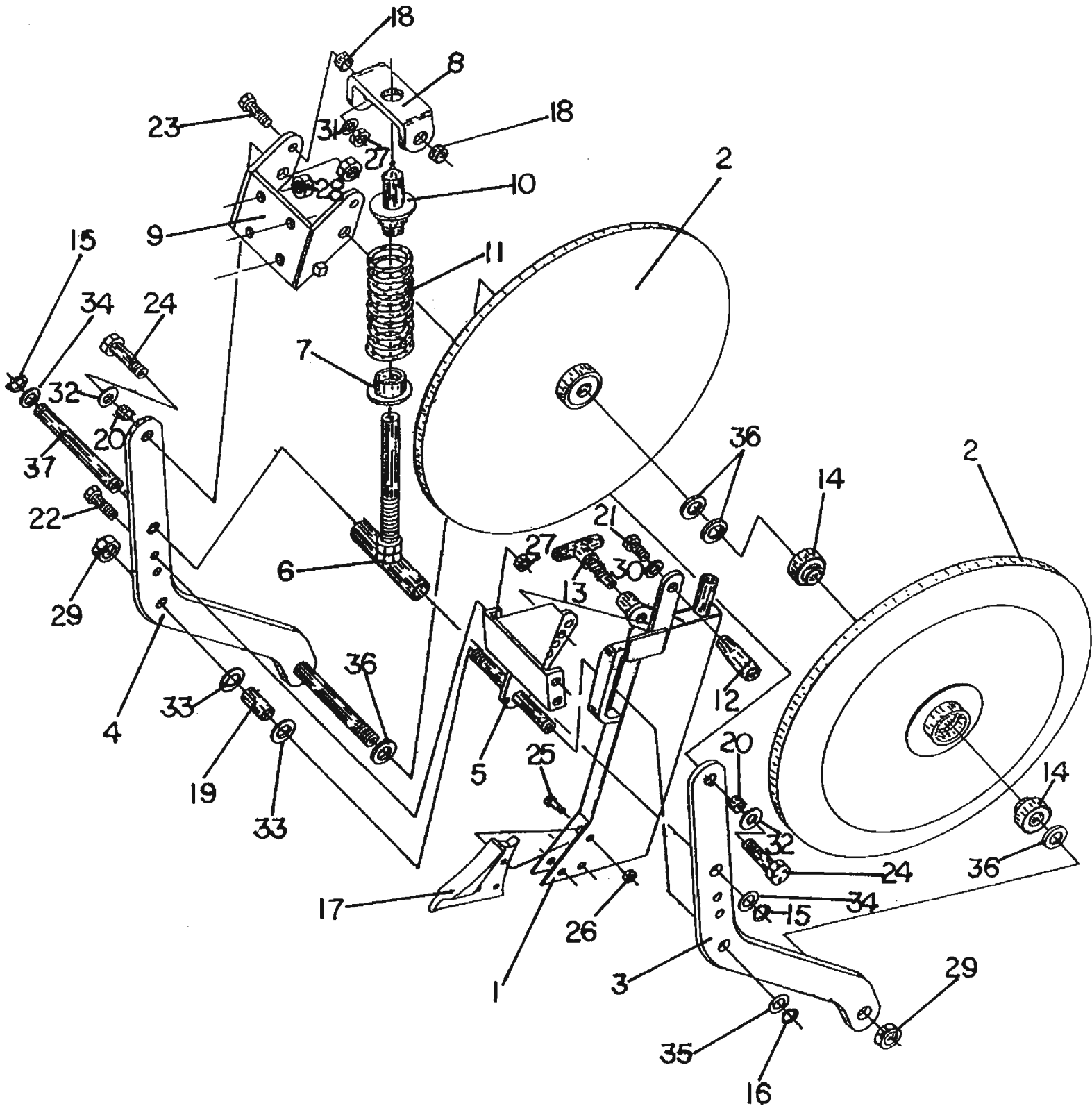


ACCRA-PACK™ Opener, AP19-015



ACCRA-PACK™ SEED DRILL

ACCRA-PACK™ Opener, AP19-015

Key	Part No.	Description
1	AP9-001	ACCRA-PACK Boot
2	AP9-002	26" Diameter Packer wheel
3	AP9-003	Side plate
4	AP9-004	Side plate, W/ Threaded shaft
5	AP9-005	Boot adjustment bracket
6	AP9-006	1" Spring rod
7	AP9-007	Spring retainer washer
8	AP9-008	Spring trunion
9	AP9-009	Opener mounting bracket
10	AP9-010	Spring rod support tube
11	5110-030	Compression spring
12	5329-095	Tapered sleeve
13	5329-100	3/8" Spring loaded pull pin
14	5449-040	Bearing, sealed 1". RA100RR
15	5459-075	3/4" Snap ring
16	5459-100	1" Snap ring
17	5919-638	Split packer point
18	6133-007	Bushing, 0.75"OD x 0.51"ID x 0.438"
19	6133-060	Bushing, 1.315"OD x 1.063"ID x 2.938"
20	6143-007	Bushing, 1.00"OD x 0.64"ID x 0.563"
21	7112-060	Cap screw, 3/8"NC x 1-1/2"
22	7113-102	Cap screw, 1/2"NC x 1-1/2"
23	7113-103	Cap screw, 1/2"NC x 1-3/4"
24	7114-109	Cap screw, 5/8"NC x 2"
25	7123-100	Button head socket screw, 5/16"NC x 1"
26	7721-007	Hex flange nut, 5/16"NC
27	7723-216	Hex lock nut, 1/2"NC
28	7724-120	Hex lock nut, 5/8"NC
29	7726-013	Hex lock nut, 1"NC-Half height
30	7812-010	Flat washer, 3/8"
31	7813-015	Flat washer, 1/2"
32	7814-015	Flat washer, 5/8"
33	7816-010	Flat washer, 1" SAE
34	7895-100	Machine bushing, 3/4"-14Ga. NR
35	7896-000	Machine bushing, 1"-14Ga. NR
36	7896-001	Machine bushing, 1"-10Ga. NR
37	8025-040	Shaft, 3/4" x 9-1/4", W/snap ring grooves