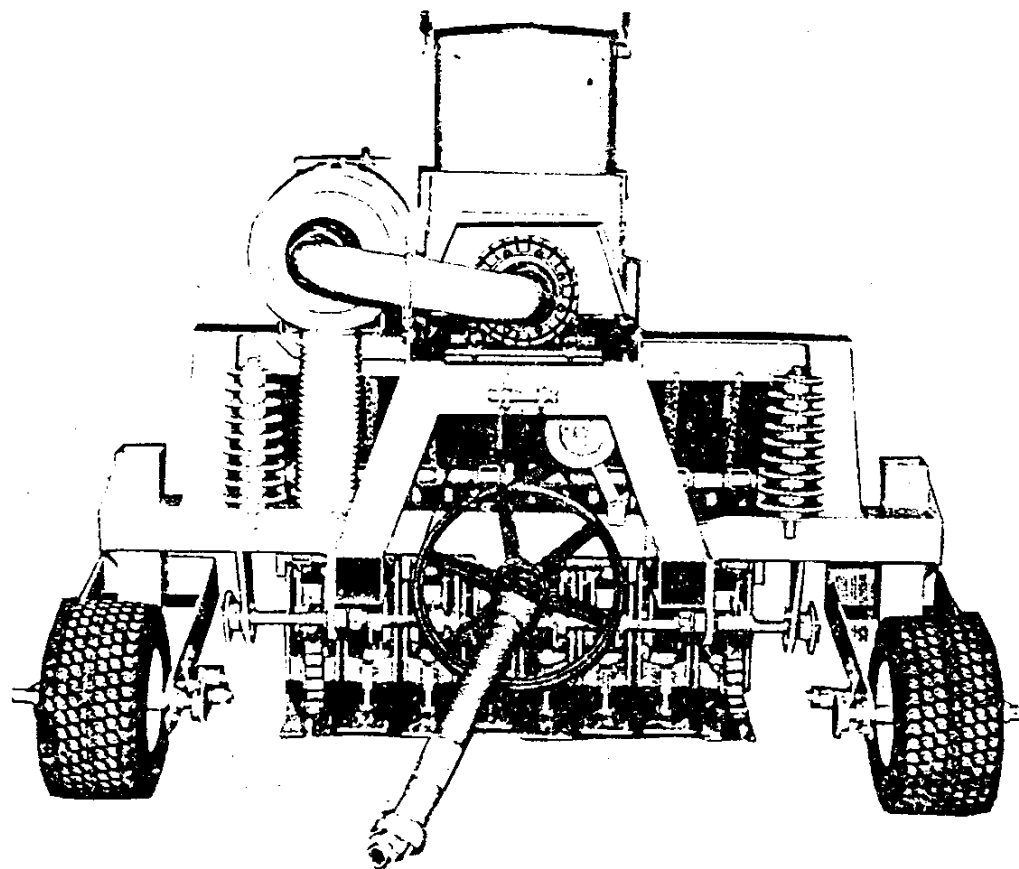


PARTS CATALOG AND OPERATORS MANUAL



**816SL
VACUUM SOWER**

J. E. LOVE CO.

Garfield, Washington
(509) 635-1321

—SAFETY PRECAUTIONS—



Attention!
Your safety is involved!

This symbol is used to call the operator's attention to safety precautions. When you see this symbol, heed its warning.

- ⚠ CAUTION—BLOCK SECURELY—**Do not place yourself under any equipment suspended hydraulically with mechanical stops, jacks or hoists without blocking securely.

- ⚠ CAUTION—**Stop machinery to clean, oil or repair.

- ⚠ CAUTION—**Release to the lowest position before lubricating or servicing.

- ⚠ CAUTION—**Keep hands, feet and clothing away from power driven parts.

- ⚠ WARNING—**Shields are for your protection—Keep them in place.

- ⚠ CAUTION—**Operator must dismount the seeder before it is lifted.

- ⚠ CAUTION—**Ballast tractor to gain stability, when necessary.

- ⚠ DANGER - PTO SHAFT. Rotating driveline contact can cause death!**
KEEP AWAY!
DO NOT OPERATE WITHOUT -
 - * All driveline, tractor and equipment shields in place.
 - * Drivelines securely attached at both ends.
 - * Driveline shields that turn freely on driveline.

J. E. LOVE COMPANY WARRANTY

The J. E. Love Company warrants that it will repair F.O.B. its factory or furnish without charge F.O.B. its factory, a similar part to replace any material in its machinery which within one year after date of retail delivery is proved to the satisfaction of the Company to have been defective at the time it was delivered. Provided that all parts claimed defective shall be returned, properly identified, to the Company's branch having jurisdiction over the territory, charges prepaid.

This warranty to repairs applies only to new and unused machinery, which after shipment from the factory of the Company, has not been altered, changed, repaired or treated in any manner whatsoever, and does not extend to equipment or implements not manufactured by the J. E. Love Company, although sold or operated with the Company's Machinery.

THIS WARRANTY TO REPAIR IS THE ONLY WARRANTY EITHER EXPRESS, IMPLIED OR STATUTORY, UPON WHICH SAID MACHINERY IS SOLD. SPECIFICALLY, THE J. E. LOVE COMPANY DISCLAIMS ANY IMPLIED WARRANTY OF MERCHANTABILITY OR IMPLIED WARRANTY OF FITNESS FOR PURPOSE.

The Company's liability in connection with this transaction is expressly limited to the repair or replacement of defective parts; all other damages and warranties, statutory or otherwise, being hereby expressly waived by the purchaser.

No representative of the Company has the authority to change this warranty or this contract in any manner whatsoever, and no attempt to repair or promise to repair or improve the machinery covered by this contract by any representative of the Company shall waive any consideration of the contract or change or extend this warranty in any manner whatsoever.

The J. E. Love Company shall in no event be responsible or liable in damages for losses, delays or nonperformance caused by or due to current energy, fuel or material shortages or due to Labor Contracts beyond the control of the Company.

TABLE OF CONTENTS

	<u>PAGE</u>
SAFETY PRECAUTIONS	
WARRANTY	
WARRANTY REGISTRATION CARD	
RECOMMENDED SAFETY RULES	OM1
OPERATING GUIDE LINES	OM2
MAINTENANCE	OM3
TROUBLE SHOOTING	OM4
SOWING RATES	OM7
PARTS LIST	
FRAME GROUP	3, 5, 7
DRIVE GROUP	9, 11
VACUUM AND DRIVE GROUP, AIR FILTER AND TUBES	13
VACUUM AND DRIVE GROUP, PTO SHAFT, BELT AND PULLEYS	15
VACUUM AND DRIVE GROUP, POWER TAKE OFF SHAFT ASSEMBLY	17
HOUSING GROUP	19, 21
SEED DISC ASSEMBLY	23
HOPPER GROUP	25
FLOAT GROUP	27
PACKING WHEEL GROUP	29
PLATFORM GROUP	31
ROLLER GROUP	33
OPTIONS:	
SEED DISTRIBUTION GROUP	35
COVERING DEVICE	37
NUMERICAL CROSS REFERENCE	

RECOMMENDED SAFETY RULES
FOR OPERATING YOUR MACHINE

1. A careful operator always is the best insurance against an accident.
2. STOP power take-off, be sure all drives are stopped before dismounting from tractor.
3. It is every owner's responsibility to make sure shields over drives are in place whenever sower is running. Many accidents are caused by wearing loose or floppy clothing and being pulled into a drive.
4. Be sure all drives are in neutral before starting engine.
5. Engage the PTO gently.
6. Make sure all personnel are on the work platform of sower, or clear of sower, before starting sower operations.
7. Keep tractor in lower gear when going downhill.
8. Do not wear loose clothing or gloves when working around or cleaning sower.
9. Never stand between sower and tractor while tractor is backing in for hookup.
10. Make sure all shields are in place at all times while operating sower.
11. Keep hands away from moving belts and chain drives.
12. Do not permit children to play around sower while it is in motion.
13. Never transport sower on road or highway at night without a warning light; use a red flag or SMV emblem in the day time.
14. Be extra careful when working on hillsides or rough ground. Watch out for hitches into which a wheel may drop causing personnel on the work platform to fall.
15. Never engage PTO unless it is possible to disengage it immediately.
16. Never attempt to clean trash out of drive chains while sower is running.
17. Ballast the tractor for stable operation.
18. **DO NOT LEARN SAFETY BY ACCIDENT.**

The following is a suggested guideline for the adjustment and operation of the 816SL Vacuum Sower. Observance of these guidelines will make start-up of your machines an easier and more efficient process. Should problems arise after initial start-up refer to the Trouble Shooting portion of the Owner's Manual for possible solutions.

OPERATING GUIDELINES

1. In the shop: adjust 3 point hitch top link to provide a level sower main frame. Frame must be level at its operating height.
2. In the field: be sure soil conditions are correct for efficient sowing practices (i.e. good sower traction, adequate furrow formation, proper seed placement and adequate seed coverage and compaction). If soil conditions are not such that these characteristics are met, then the sower will not perform to the best of it's capabilities. Lead time in bed preparation has been found to be very critical in successful sower performance.
3. Adjust sower gage wheels such that the sower unit attaching links slope down and to the rear at an angle of 10-15° when the sower is on an average height bed.
4. Adjust spring tension on sower units such that the units float lightly on bed surface while still providing an adequate planting furrow.
5. Install the proper drive sprockets for the desired sowing density.
6. Adjust the seed singulator knife lobes tangent to the top of the seed plate holes to minimize both blanks and doubles. (This adjustment will have to be modified based on audit crew finding.)
7. Gradually engage the PTO and gradually increase engine speed to produce sufficient vacuum for proper seed pickup (3-3½ inches of mercury vacuum).
8. Adjust tractor ground speed (1 - 1½ MPH) according to the conditions to be sure seed is being properly picked up by the seed plates and placed on the ground. Large seed and/or high density sowing rates require slower ground speeds.
9. Before adding seed to the hopper check the cleanliness. Avoid the use of seed containing extraneous cone parts or other foreign material. The use of such seed will result in unnecessary down-time due to fouling and plugging of the vacuum system and/or seed plates.
10. During sowing avoid lifting the sower any higher than necessary while the PTO is engaged and running at operational RPMs. Failure to do this will result in excessive belt whip causing unnecessary belt wear and possible mis-alignment as well as creating a potential safety hazard.

MAINTENANCE

NOTE: In the cleaning procedures DO NOT WASH MACHINE WITH WATER OR STEAM.
Compressed air is to be used for ALL cleaning procedures.

MAINTENANCE FUNCTIONS to be performed:

During Operation:

- Check vacuum belt condition and alignment
- Check idler adjustment and tightness when necessary

Daily:

- Check drive chain tension
- Clean seed plates
- Check vacuum pump oil level (use Valvoline Type FA transmission fluid)
- Clean filter element and dust pan. CAUTION: Well ventilate cleaning area, use filter cleaning dispersion ball, wear surgical mask for inhalation protection. Check filter for tears or ruptures before reinstalling.
- Clean individual units of dirt and debris
- Grease the packing wheel bearings and power-take-off shaft universal joints

Weekly:

- Grease the vacuum pump drive shaft bearings. Separate slip tube and lubricate sliding portion of shaft with a sufficient quantity of grease.

Annually:

- Replace vacuum breaker plugs
- Check singulator knives and replace as necessary
- Check furrow formers and replace as necessary
- Check all chains for wear and replace as necessary. DO NOT LUBRICATE WITH GREASE OR OIL - USE DRY GRAPHITE ONLY.
- Check bearings for wear. Replace as necessary.
- Check tire inflation. Be sure paired wheels are equally pressurized to 24 psi (165 kPa) to ensure proper machine balance and leveling.

TROUBLE SHOOTING

Following is a list of the more common causes of improper sower performance. Often incorrect operation or malfunction is due to some minor adjustment that can be quickly remedied if the proper information is available. The following is designed to provide that for you.

<u>Improper Condition</u>	<u>Probable Cause(s)</u>	<u>Remedy</u>
Skis pushing excess soil	Debris build-up in front of skis	Clean debris from bed.
	Main frame not vertical	Adjust tractor 3-pt. center link such that sower is vertical to ground.
	Main frame too low	Adjust gauge wheels such that sower unit links have 10-15° upward pulling angle.
	Sower unit floating too heavy	Tighten spring adjusting screws equally to decrease ski weight.
Low vacuum	Low tractor RPM	Increase RPM to standard PTO speed.
	Dirty filter element	Clean filter.
	System leak	Replace broken tube(s).
	System debris	Check tube-frame junction for buildup; clean.
No vacuum	PTO not engaged	Engage PTO.
	Pump drive belt off	Re-install belt.
	Pump failure	Check oil level, obtain replacement as needed.
Excess blank sowing	Insufficient seed in hopper	Add seed.
	Singulator knife adj. set too close	Re-adjust to sow singles.
	Seed plate holes plugged	Clean plates.

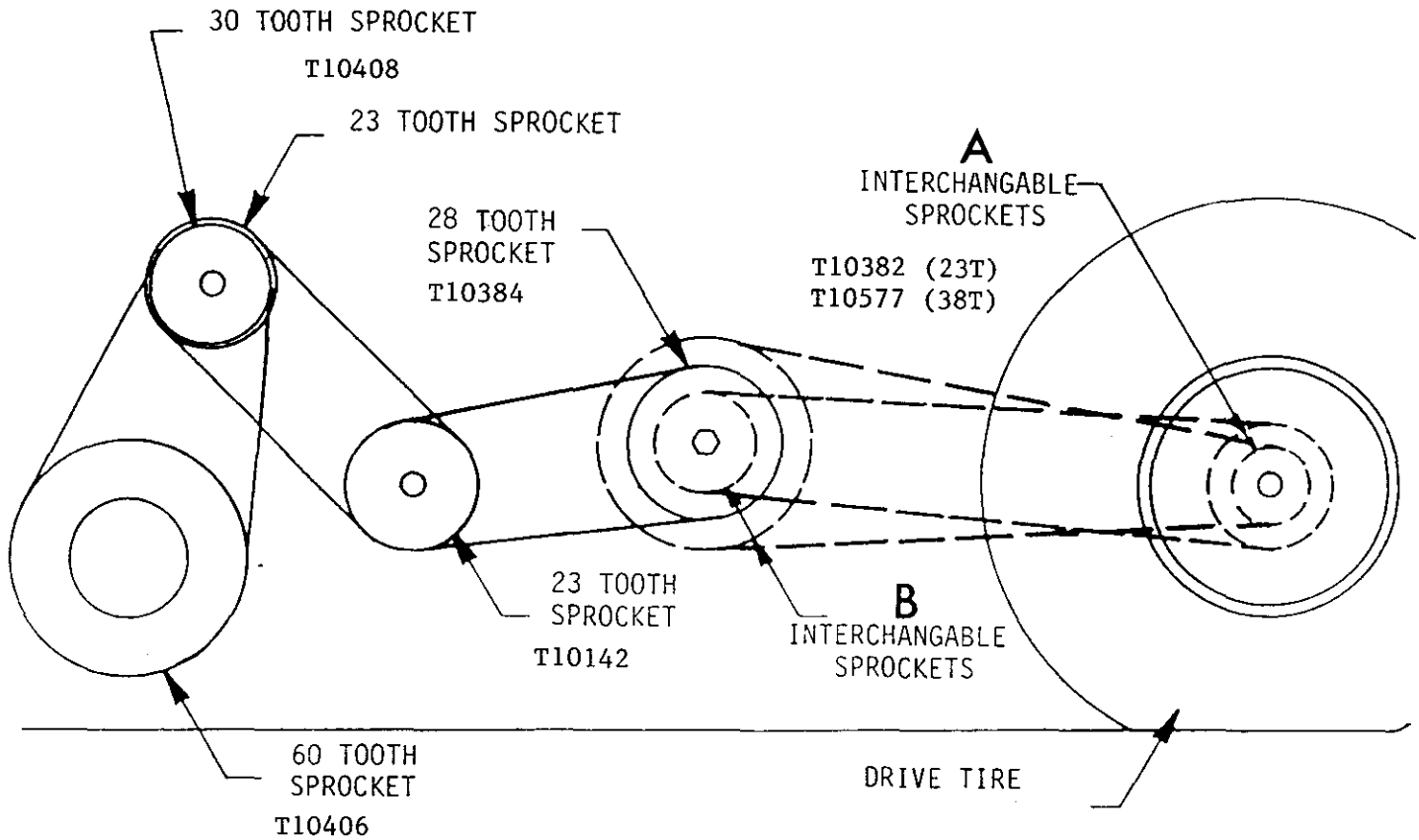
TROUBLE SHOOTING, Continued

<u>Improper Condition</u>	<u>Probable Cause(s)</u>	<u>Remedy</u>
Excess blank sowing (cont.)	Root hair inhibiting seed pickup	Remove root hair.
	Low vaccum	Increase tractor RPM.
	Excess ground speed (esp. w/large seed)	Slow down.
Excess double sowing	Singulator knife set too wide	Re-adjust to sow singles.
	Vacuum too high for seed	Lower vacuum.
	Mixed seed size	Present technology.
Individual drive chains jumping	Dirt in root of sprocket teeth	Clean sprockets and adjust sower unit flotation to avoid soil buildup.
	Sprocket misalignment	Realign sprockets on main drive shaft with unit sprocket.
	Chain loose	Remove link or half-link as required.
Main drive chain jumping	Misalignment	Realign sprockets.
	Dirt	Clean sprocket teeth.
	Chain loose	Tighten chain idler.
	Unmatched drive sprockets.	Match sprockets.
Improper seed placement	No furrow formation	Adjust floatation to provide adequate furrows.
	Vacuum breaker not working	Replace vaccum breaker.
Improper seed coverage	Soil moisture too high	Longer bed preparation lead time, wait for soil to dry naturally.

TROUBLE SHOOTING, Continued

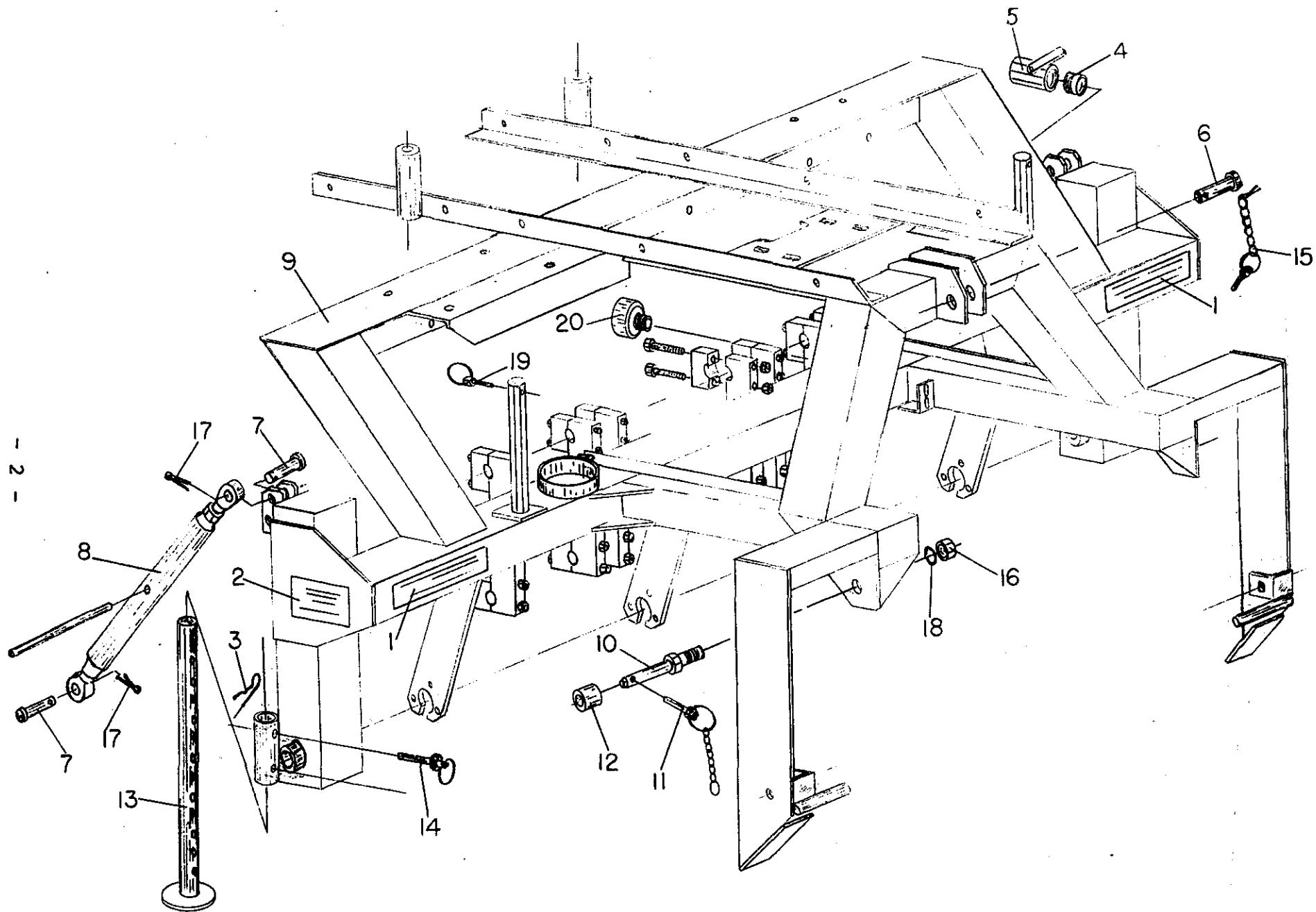
<u>Improper Condition</u>	<u>Probable Cause(s)</u>	<u>Remedy</u>
Seed and/or soil sticking to pack wheels	Soil moisture too high	Longer bed preparation lead time, wait for soil to dry naturally.
Seed covered too deep	Soil moisture too low	Shorter bed preparation lead time, lower scraper portion of covering drag.
Vacuum drive belt jumping w/machine	Unequal U-joint angles	Reduce engine speed and/or lower machine to reduce severity.
Planting unit not following ground contour	Unit drive chains too tight	Loosen chain.
	Incorrect setting of frame height and/or spring tension	Re-adjust gage wheel setting, spring tension and/or 3-pt. to allow units to float.
No furrow formation	Unit not following ground	See above.
	Worn furrow former	Replace furrow former.
	Skid pan rubbing out furrows	Raise front of sower by lowering the ski support strut to provide clearance under pan.

816SL SOWER CALIBRATION CHART



SEEDS PER LINEAR BED FOOT ON 4 FT. BED		NUMBER OF TEETH ON SPROCKET AT "B" SPROCKET # TEETH	
"A", 38 TOOTH SPROCKET	"A", 23 TOOTH SPROCKET	SPROCKET #	TEETH
124	75	T10563	41
130	79	T10390	39
138	83	T10392	37
145	88	T10391	35
154	93	T10389	33
170	103	T10386	30
188	114	T10383	27
212	128	T10388	24
242	147	T10387	21
268	162	T10385	19

FRAME GROUP, T10222



FRAME GROUP, T10222

<u>ITEM NO.</u>	<u>PART NO.</u>	<u>NO. REQ.</u>	<u>DESCRIPTION</u>
1	D1	3	DECAL, LOVE, LARGE
2	D18	2	DECAL, CAUTION
3	D10137	2	SPRING LOCK PIN
4	F1225	1	BALL VALVE 1-1/4"
5	F1144	1	CLOSE NIPPLE 1-1/4"
6	S10030	1	UPPER HITCH PIN
7	S11003	4	ROLLER STOP PIN
8	T10098	2	LINK, ADJUSTABLE
9	T10168	1	SOWER MAIN FRAME
10	T10192	2	PIN, LIFT ARM
11	T10421	2	LYNCH PIN WITH CHAIN
12	T10523	2	SPACER
13	T10536	2	SUPPORT
14	T10548	2	SUPPORT PIN
15	T10613	1	PIN WITH CHAIN
16	X2L112-NUT	2	1-1/8 -12 UNF HEX NUT
17	X3A15-126	4	5/32 X 1-1/4 COTTER PIN
18	X3B125	2	1-1/8 LOCKWASHER

PARTS FROM OTHER GROUPS:

19	D10089	3	QUICK LOCK PIN
20	T10465	1	VACUUM GAUGE

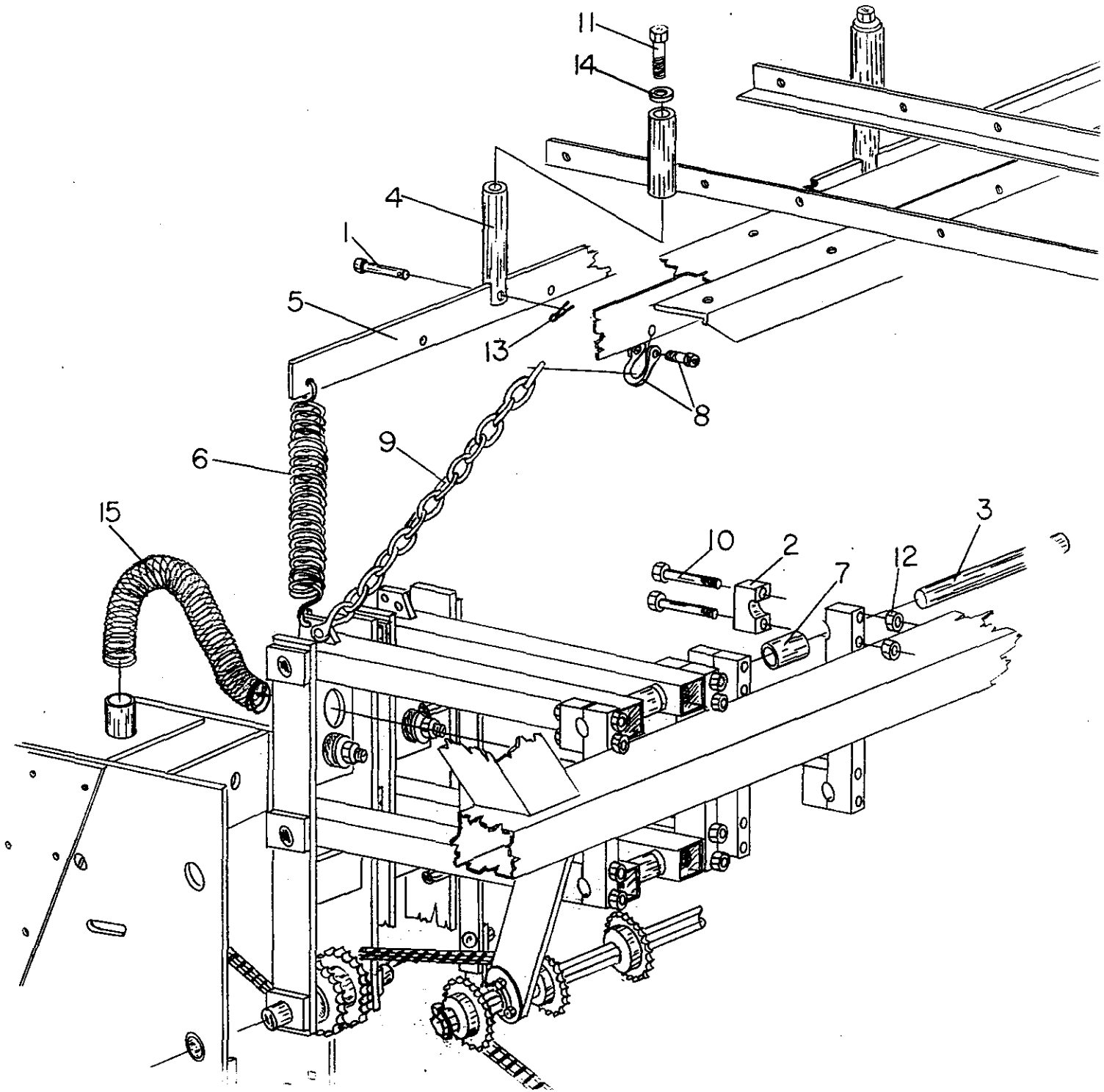
NOT SHOWN HERE, REFER TO PAGE 7:

D28-2	1	DECAL, SERIAL NUMBER
D113	2	DECAL, "816SL VACUUM SOWER"
S11080	1	COTTER PIN 3/32 x 0.75
T10516	1	SHIELD, WELDED
T10527	2	SHIELD, SIDE
T10537	1	SHIELD, PIVOTING
T10545	1	SHIELD, FIXED
X2A0310075	9	5/16-18 UNC x 0.75 CAPSCREW
X2A0310100	1	5/16-18 UNC x 1.00 CAPSCREW

NOT SHOWN HERE, REFER TO PAGE 31:

D3	1	DECAL, LOVE, SMALL
D85	1	DECAL, CAUTION

FRAME GROUP, T10222, Continued



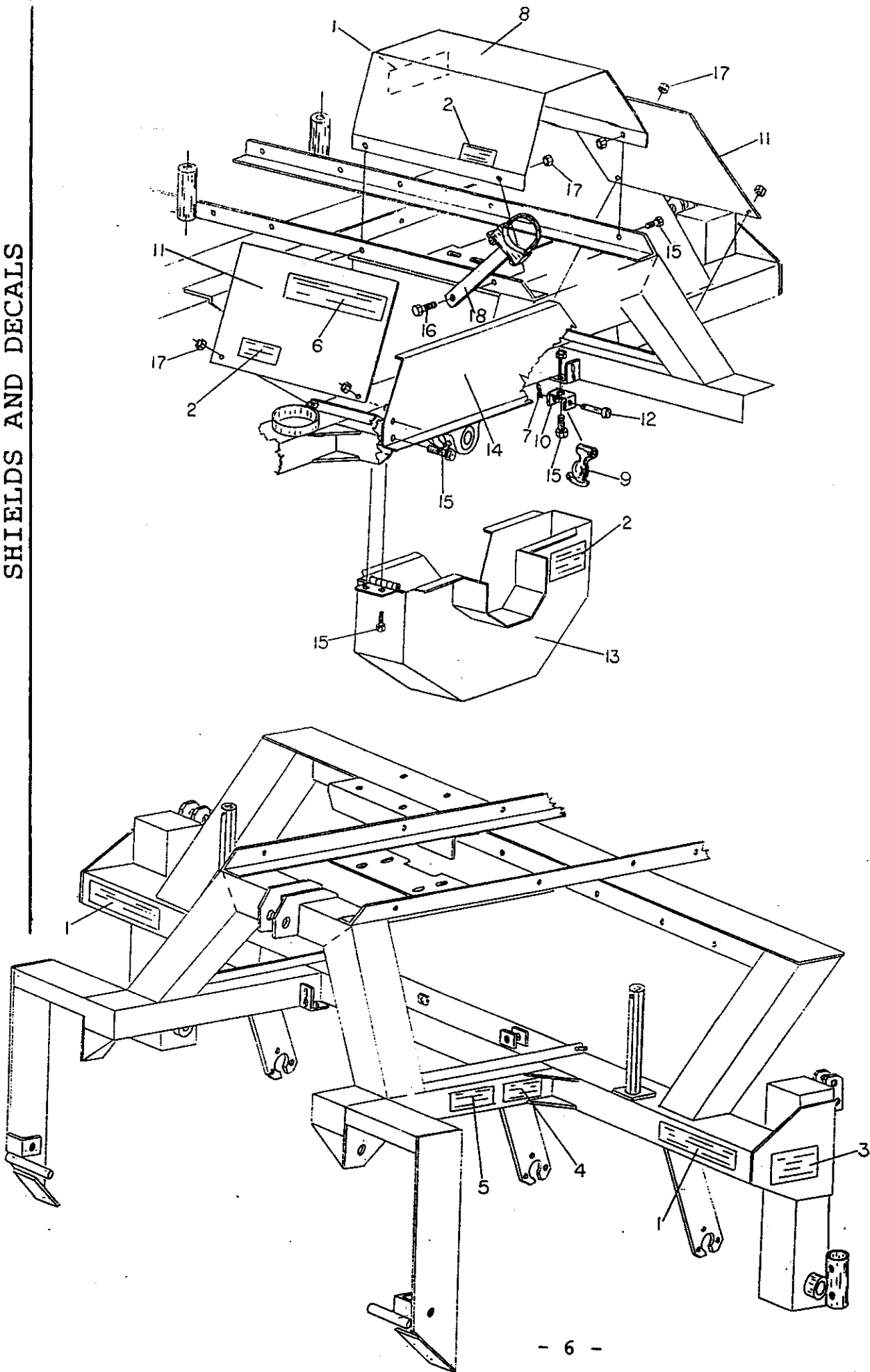
FRAME GROUP, T10222, Continued:

<u>ITEM NO.</u>	<u>PART NO.</u>	<u>NO. REQ.</u>	<u>DESCRIPTION</u>
1	T10012	2	PIN, CLEVIS
2	T10124	(16)	BLOCK, CLAMP (INCLUDED IN T10168)
3	T10165	8	PIN, PIVOT
4	T10309	2	SLEEVE, INNER
5	T10313	1	SPRING ANCHOR
6	T10414	8	SPRING, EXTENSION
7	T10418	8	SPACER
8	T10466	16	ANCHOR SHACKLE WITH LOOSE PIN
9	T10467	8	CHAIN, SUPPORT
10	X2A0370350	(32)	3/8-16 UNC X 3.50 CAP SCREW (INCLUDED IN T10168)
11	X2A0500601	2	1/2-13 UNC X 6 FULL THD CAP SCREW
12	X2E037-SF3	(32)	3/8-16 UNC WHOZ LOCK NUT (INCLUDED IN T10168)
13	X3A12-100	2	COTTER PIN, 1/8 X 1
14	X3C050	2	1/2 FLAT WASHER

PARTS FROM OTHER GROUPS:

15	T10463	8	TUBE, VACUUM
----	--------	---	--------------

FRAME GROUP, T10222, Continued
SHIELDS AND DECALS



FRAME GROUP, T10222, Continued:

<u>ITEM NO.</u>	<u>PART NO.</u>	<u>NO. REQ.</u>	<u>DESCRIPTION</u>
1	D1	3	DECAL, LOVE, LARGE
2	D24	4	DECAL, BE CAREFUL
3	D18	2	DECAL, CAUTION
4	D28-2	1	DECAL, SERIAL NUMBER
5	D87-7	1	DECAL, VACUUM SOWER PATENT
6	D113	2	DECAL, "816SL VACUUM SOWER"
7	S11080	1	COTTER PIN 3/32 x 0.75
8	T10516	1	SHIELD, WELDED
9	T10524	1	LATCH, RUBBER
10	T10526	1	ANCHOR
11	T10527	2	SHIELD, SIDE
12	T10530	1	PIN, CLEVIS, 1/4" X 1.50"
13	T10537	1	SHIELD, PIVOTING
14	T10545	1	SHIELD, FIXED
15	X2A0310075	9	5/16-18 UNC X 0.75 CAP SCREW
16	X2A0310100	1	5/16-18 UNC X 1.00 CAP SCREW
17	X2E031-SF3	14	5/16-18 UNC WHIZ LOCK HEX NUT

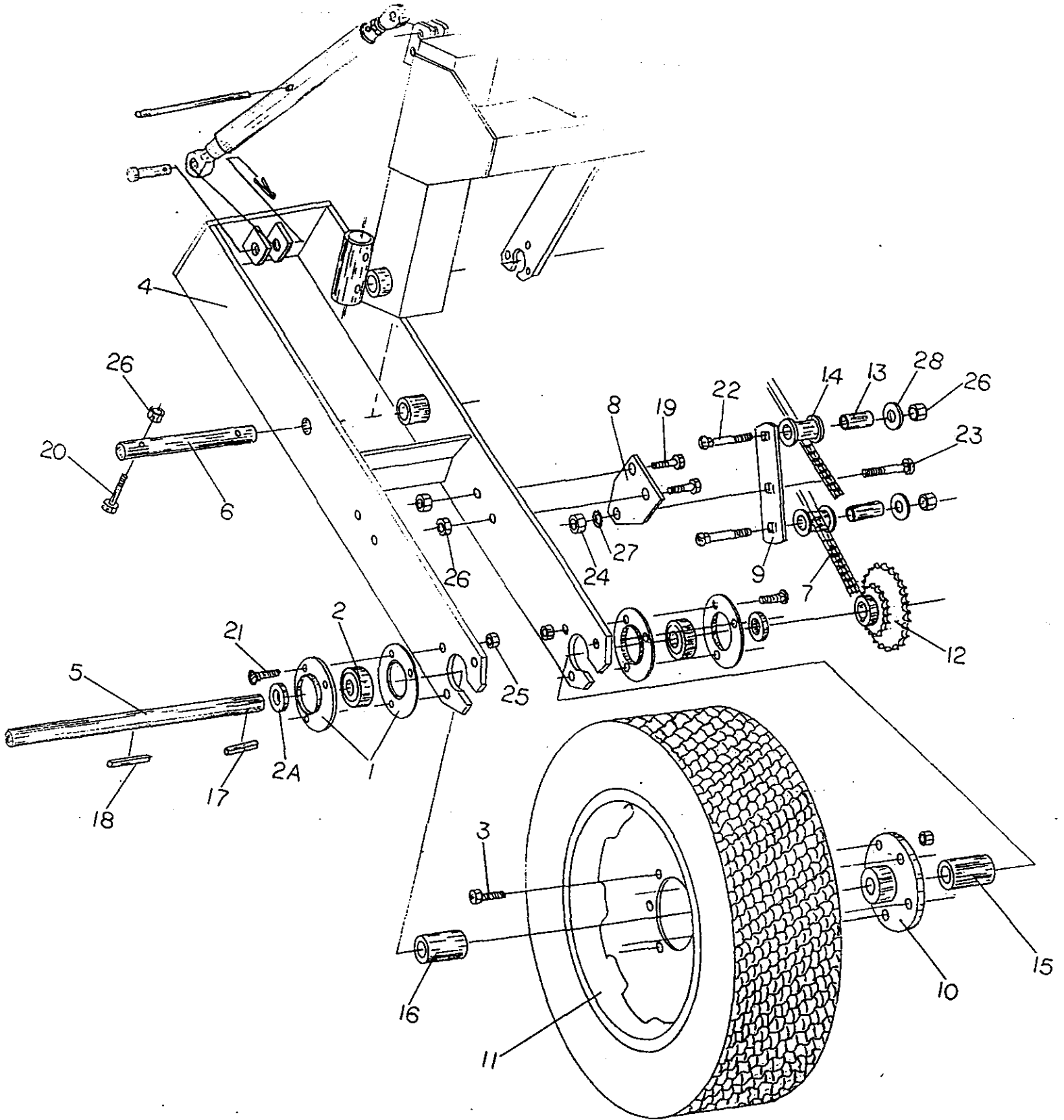
NOT SHOWN HERE, REFER TO PAGE 31:

D3	1	DECAL, LOVE, SMALL
D85	1	DECAL, CAUTION

PARTS FROM OTHER GROUPS:

18	T10520	1	BRACKET, WELDED VACUUM TUBE
----	--------	---	-----------------------------

DRIVE GROUP, T10223

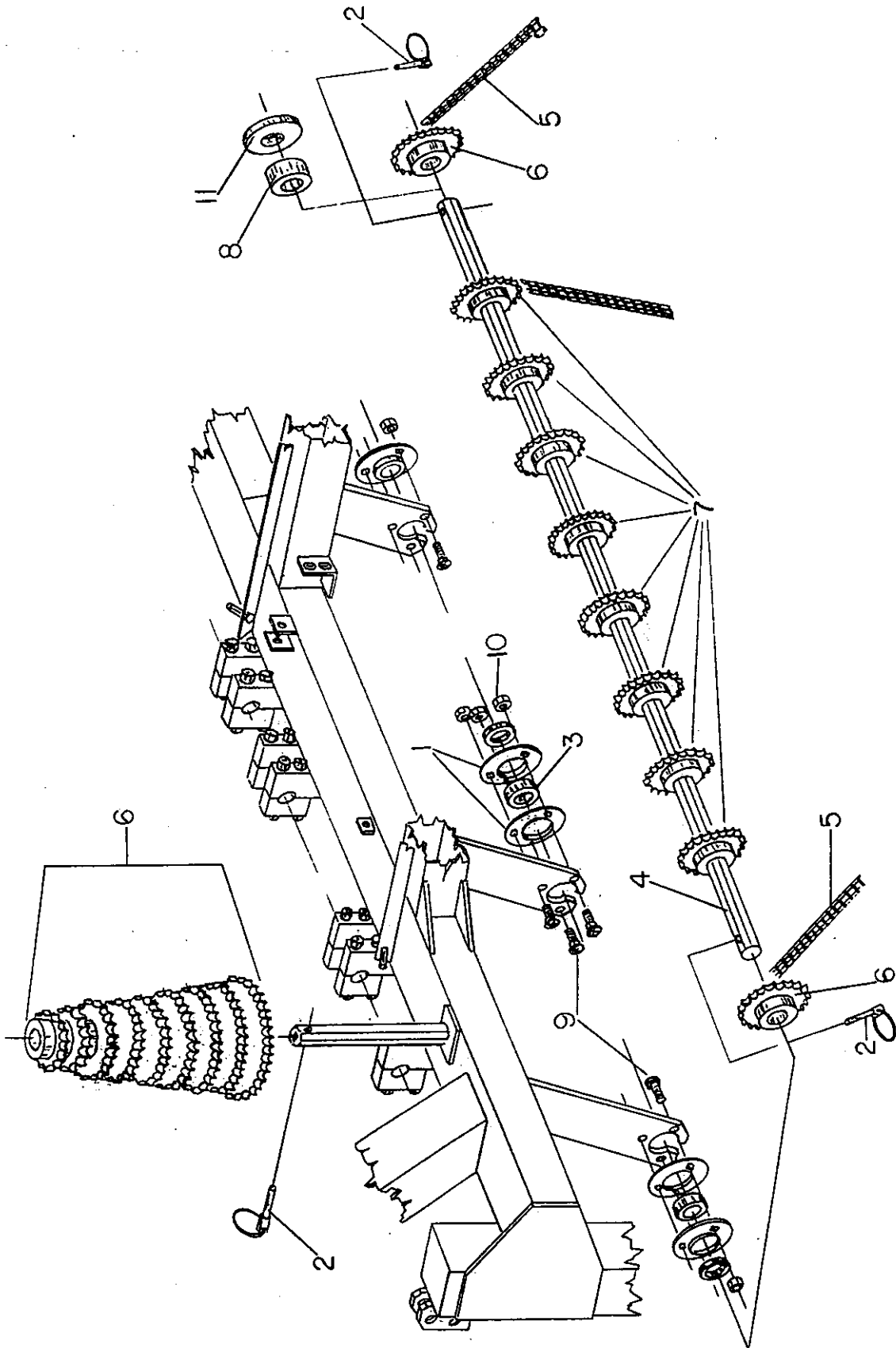


DRIVE GROUP, T10223

<u>ITEM NO.</u>	<u>PART NO.</u>	<u>NO. REQ.</u>	<u>DESCRIPTION</u>
1	A20303	8	FLANGETTE RETAINER
2	A20304	4	BEARING, 1.00" DIA. BORE (W/COLLAR)
2A	*	(4)	LOCKING COLLAR ONLY
4	T10115	2	GAGE WHEEL FRAME
5	T10191	2	WHEEL AXLE SHAFT
(NOTE: THIS IS SHAFT "A" ON PAGE OM7)			
6	T10226	2	PIVOT PIN
7	T10227	2	ASSEMBLY, ROLLER CHAIN
	A20447	4	OFFSET LINK, RC 40
	A20448	2	CONNECTOR LINK, RC 40
8	T10272	2	IDLER BRACKET
9	T10273	2	IDLER ARM
10	T10292	2	TIRE HUB
11	T10293	2	TIRE AND WHEEL ASSEMBLY
	T10584	2	WHEEL
	(*) T10585	2	TIRE, 27 X 8.50- 15
12	T10382	2	DRIVE SPROCKET, 23 T
	T10577	2	DRIVE SPROCKET, 38 T (OPTIONAL)
REFER TO CALIBRATION CHART, SPROCKET "A", PAGE OM7			
13	T10422	4	IDLER SLEEVE
14	T10423	4	CHAIN IDLER
15	T10428	2	SPACER
16	T10429	2	SPACER
17	T10564	2	1/4 SQ. x 1.00" KEY
18	T10565	2	1/4 SQ. x 2.50" KEY
19	X2A0370100	4	3/8-16 UNC x 1.00 CAPSCREW
20	X2A0370200	2	3/8-16 UNC x 2.00 CAPSCREW
21	X2B0310100	12	5/16-18 UNC x 1.00 CARRIAGE BOLT
22	X2B0370250	4	3/8-16 UNC x 2.50 CARRIAGE BOLT
23	X2B0500200	2	1/2-13 UNC x 2.00 CARRIAGE BOLT
24	X2C050	2	1/2-13 UNC HEX NUT
25	X2E031-SF3	12	5/16-18 UNC WHIZ LOCK NUT
26	X2E037-SF3	10	3/8-16 UNC WHIZ LOCK NUT
27	X3B051	2	1/2" EXT. TOOTH LOCK WASHER
28	X3C037	8	3/8 FLAT WASHER

(*) REFERENCE ONLY, NOT FOR RESALE

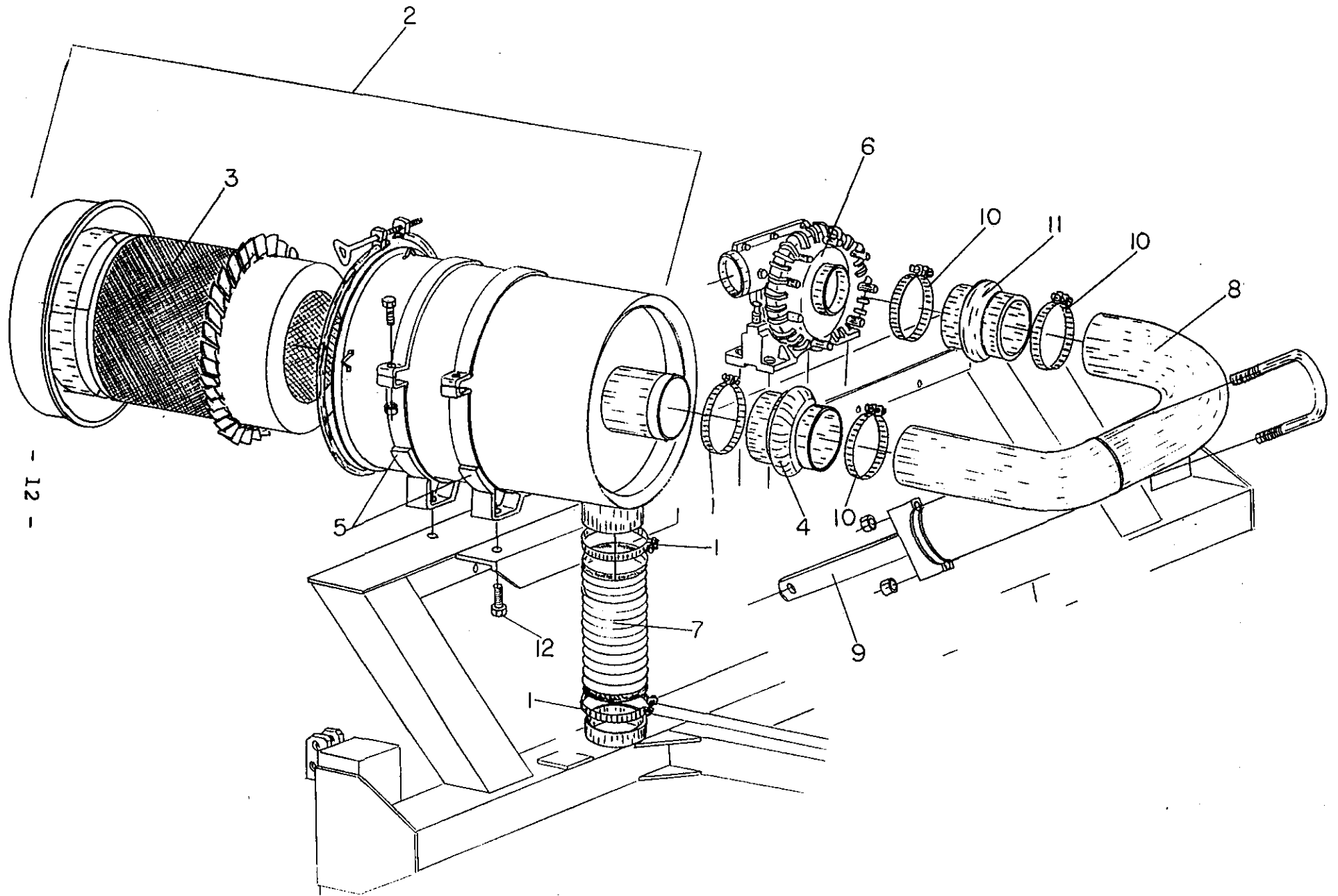
DRIVE GROUP, T10223, Continued



DRIVE GROUP, T10223, Continued:

<u>ITEM NO.</u>	<u>PART NO.</u>	<u>NO. REQ.</u>	<u>DESCRIPTION</u>
1	A20303	6	FLANGETTE RETAINER
2	D10089	4	LYNCH PIN
3	T10099	3	7/8 HEX BEARING (WITH COLLAR)
	*	(3)	LOCKING COLLAR ONLY
4	T10182	1	HEX DRIVE SHAFT
			(NOTE: THIS IS SHAFT "B", PAGE OM7)
5	T10237	2	ASSEMBLY, ROLLER CHAIN
	A20447	(4)	OFFSET LINK, RC 40
	A20448	(2)	CONNECTING LINK, RC 40
6	"B" SPROCKET	2	DRIVEN SPROCKET, PAIRS
	REFER TO CALIBRATION CHART,		SPROCKET "B", PAGE OM7
7	T10384	8	DRIVE SPROCKET (28 T)
8	T10602	2	SET COLLAR, 7/8 HEX
9	X2B0310100	9	5/16-18 UNC x 1.00 CARRIAGE BOLT
10	X2E031-SF3	9	5/16-18 UNC WHIZ LOCK NUT
11	X3C102	8	1" FLAT WASHER, TYPE B-NARROW

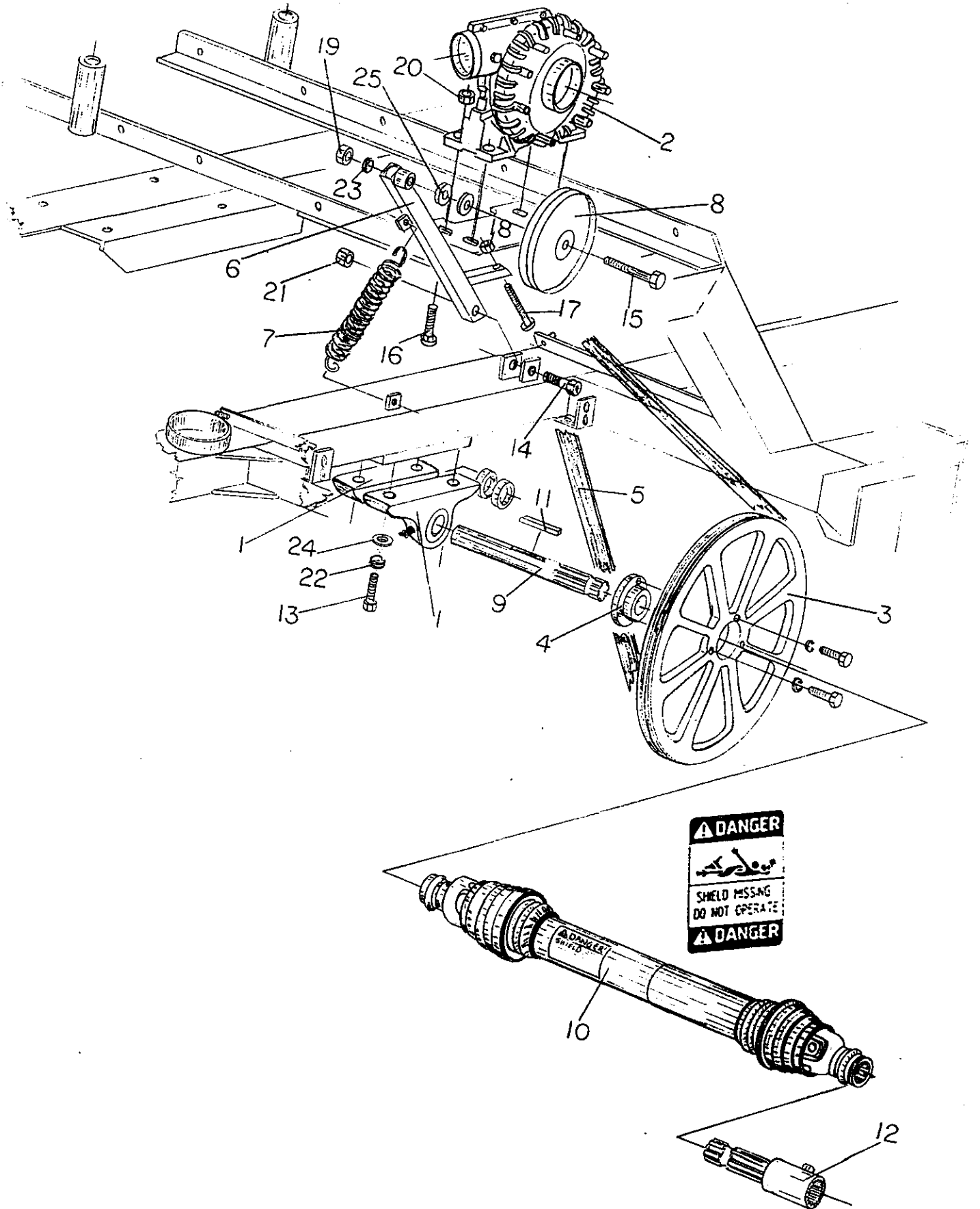
VACUUM AND DRIVE GROUP, T10225
AIR FILTER AND TUBES



VACUUM AND DRIVE GROUP, T10225

<u>ITEM NO.</u>	<u>PART NO.</u>	<u>NO. REQ.</u>	<u>DESCRIPTION</u>
1	D10328	3	HOSE CLAMP, #88 WORM GEAR, 6" MAX.
2	T10275	1	AIR FILTER HOUSING AND ELEMENT
3	T10276	1	AIR FILTER ELEMENT, (DONALDSON #P1107331)
4	T10280	1	5-1/2 x 4" HUMP REDUCER
5	T10281	2	MOUNTING BAND
6	T10285	1	VACUUM PUMP
7	T10470	1	FLEX VACUUM TUBE
8	T10505	1	WELDED VACUUM TUBE
9	T10520	1	WELDED VACUUM TUBE BRACKET
	X2A0310100	1	5/16-18 UNC x 1.00 CAPSCREW
	X2E031-SF3	1	5/16-18 UNC WHIZ LOCK NUT
10	T10566	3	HOSE CLAMP, #64 WORM GEAR, 4-1/2" MAX.
11	T10598		HUMP HOSE CONNECTOR 4 X 4 SERIAL NO. 1002 UP
	T10279	1	4 x 3-1/2" HUMP REDUCER SERIAL NO/ 1000 & 1001
12	X2A0370100	4	3/8-16 UNC x 1.00 CAPSCREW
	X2E037-SF3	4	3/8-16 UNC WHIZ LOCK NUT

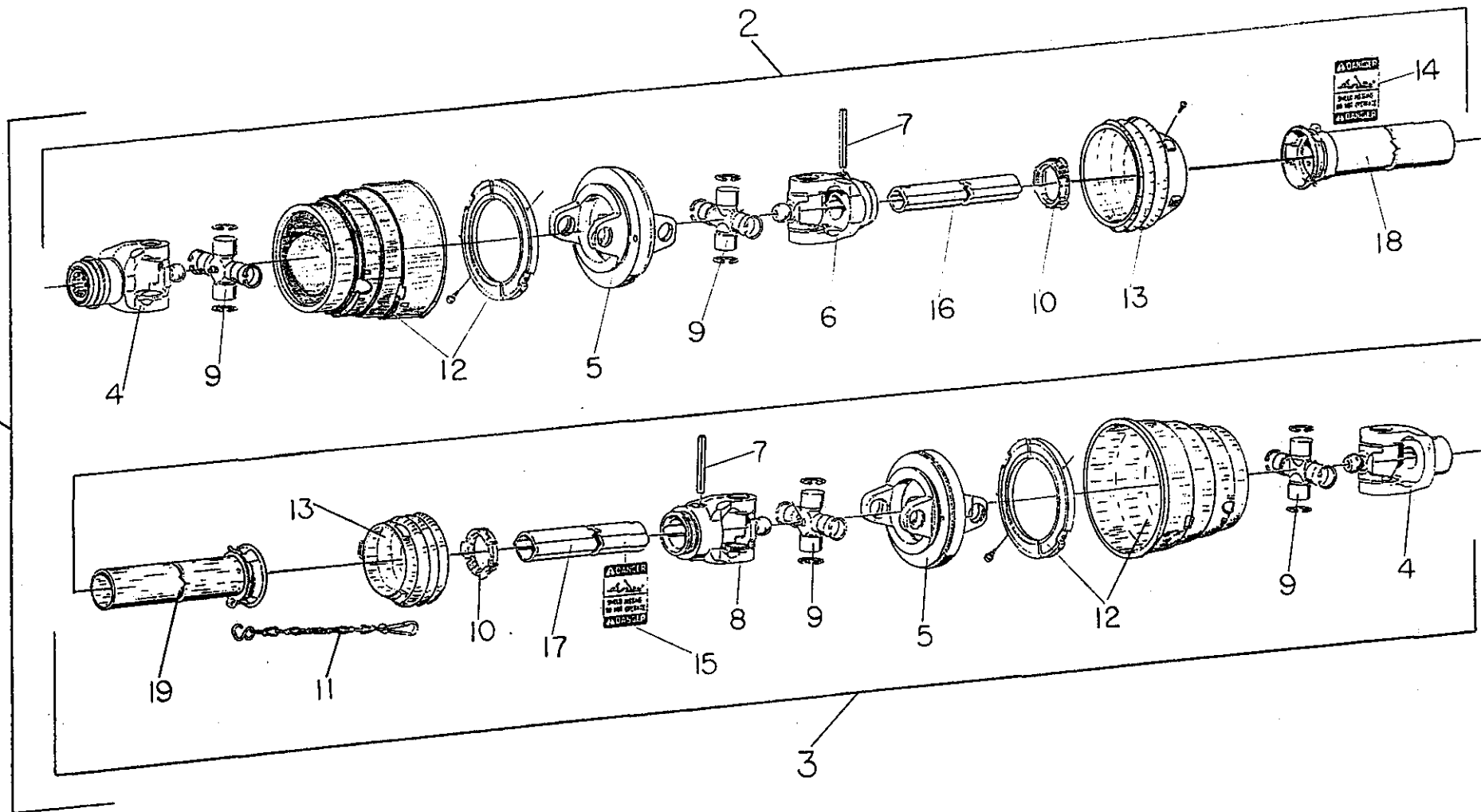
VACUUM AND DRIVE GROUP, T10225, Continued PTO SHAFT, BELT AND PULLEYS



VACUUM AND DRIVE GROUP, T10225, Continued:

<u>ITEM NO.</u>	<u>PART NO.</u>	<u>NO. REQ.</u>	<u>DESCRIPTION</u>
1	T10181	2	PILLOW BLOCK BEARING
2	T10285	1	VACUUM PUMP
	T10595	1	PULLEY, INCLUDED IN T10285
	T10596	1	KEY, INCLUDED IN T10285
	F1226	1	SQUARE HEAD PLUG
3	T10288	1	SHEAVE
4	T10289	1	TAPERED HUB
	X2E0310200	(3)	5/16-18 UNC x 2.00 CAPSCREW (W/ T10289)
	X3B031	(3)	5/16 LOCK WASHER (W/ T10289)
5	T10290	1	POLY V-BELT (DAYCO 920J10)
6	T10359	1	IDLER ARM
7	T10414	1	EXTENSION SPRING
8	T10471	1	BELT IDLER
9	T10612	1	DRIVE SHAFT, 6B SPLINE, SERIAL NO. 1003 UP
	T10218	1	DRIVE SHAFT, SERIAL NO. 1000 TO 1002
10	T10623	1	PTO SHAFT 540 R.P.M., SERIAL NO. 1003 UP
	T10621	1	PTO SHAFT 1000 R.P.M. (SUBSTITUTE T10623 + T10644 ADAPTER) SERIAL NO. 1003 UP
	T10570	1	PTO SHAFT 540 R.P.M., SERIAL NO. 1000 TO 1002
	T10605	1	PTO SHAFT, 1000 R.P.M., SERIAL NO. 1000 TO 1002
	X2A0370275	1	3/8-16 UNC x 2.75 CAPSCREW
	X2E037-SF3	1	3/8-16 UNC WHIZ LOCK NUT (USE WITH ROUND BORE YOKE ONLY) (SERIAL #1000 TO 1002)
11	T10631	1	KEY, STEP, SERIAL NO. 1003 UP
	T10567	1	5/16 SQ. x 4.00 MACHINE KEY, SERIAL NO. 1000 TO 1002
12	T10644	1	PTO ADAPTER, 1-3/8 21 SPLINE TO 1-3/8 6B
13	X2A0500150	4	1/2-13 UNC x 1.50 CAPSCREW
14	X2A0500300	1	1/2-13 UNC X 3.00 CAPSCREW
15	X2A0620400	1	5/8-11 UNC x 4.00 CAPSCREW
16	X2B0370150	4	3/8-16 UNC x 1.50 CARRIAGE SCREW
17	X2B0370301	1	3/8-16 UNC X 3.00 FULL THREAD CARRIAGE
18	X2C037	1	3/8-16 UNC HEX NUT
19	X2C062	1	5/8-11 UNC HEX NUT
20	X2E037-SF3	4	3/8-16 UNC WHIZ LOCK NUT
21	X2E050-NY1	1	1/2-13 UNC NYLOCK NUT
22	X3B050	4	1/2 LOCK WASHER
23	X3B062	1	5/8 LOCK WASHER
24	X3C050	4	1/2 FLAT WASHER
25	X3C062	2	5/8 FLAT WASHER
NOT SHOWN	T10465	1	VACUUM GAUGE

VACUUM AND DRIVE GROUP, T10225, Continued
PTO SHAFT, BELT AND PULLEYS

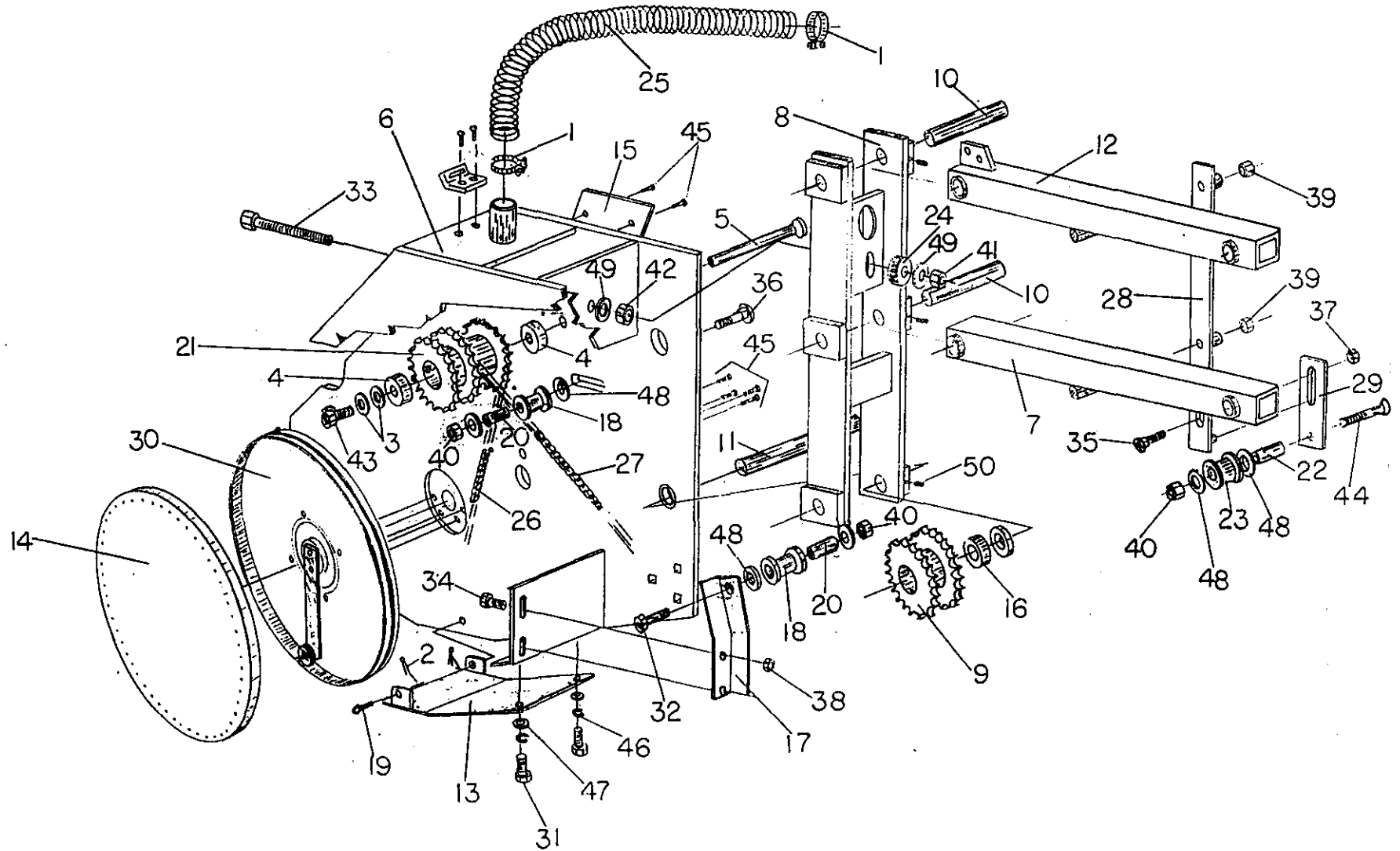


VACUUM AND DRIVE GROUP, T10225, Continued:
POWER TAKE OFF SHAFT ASSEMBLY, T10623

<u>ITEM NO.</u>	<u>PART NO.</u>	<u>NO. REQ.</u>	<u>DESCRIPTION</u>
1	T10623	1	PTO SHAFT 540 R.P.M., SERIAL NO. 1003 UP
	T10570	1	PTO SHAFT 540 R.P.M., ROUND BORE OUTPUT SERIAL NO. 1000 TO 1002
	T10605	1	PTO SHAFT, 1000 R.P.M., RD BORE OUTLET SERIAL NO. 1000 TO 1002
	X2A0370275	1	3/8-16 UNC x 2.75 CAPSCREW
	X2E037-SF3	1	3/8-16 UNC WHIZLOCK NUT (USE WITH ROUND BORE YOKE ONLY) (SERIAL #1000 TO 1002)
2	T10608	1	MALE WIDE ANGLE HALF SHAFT W/SHIELDING
3	T10622	1	FEMALE WIDE ANGLE HALF SHAFT W/SHIELDING
4	B5166	2	YOKE, 1-3/8" 6 SPLINE
5	B5167	2	DOUBLE YOKE
6	B5168	1	INBOARD YOKE, INNER PROFILE
7	B5169	2	SPRING PIN, 10 mm X 80 mm
8	B5172	1	INBOARD YOKE, OUTER PROFILE
9	B5173	4	CROSS & BEARING KIT
10	B5176	2	BEARING RING
11	B5178	1	SAFETY CHAIN
12	B5277	2	CV CONE & BEARING ASSEMBLY
13	B5278	2	SHIELD CONE, 3 RIB
14	D107	1	DECAL, OUTER
15	D111	1	DECAL, INNER
16	T10572	1	INNER PROFILE
17	T10573	1	OUTER PROFILE
18	T10574	1	OUTER SHIELD TUBE, OVAL
19	T10575	1	INNER SHIELD, ROUND
NOT SHOWN:	T10644	1	PTO ADAPTER, 1-3/8 21 SPLINE TO 1-3/8 6B

NOTE: T10621, PTO SHAFT 1000 R.P.M., SERIAL NO. 1003 UP
(SUBSTITUTE T10623 + T10644 ADAPTER)

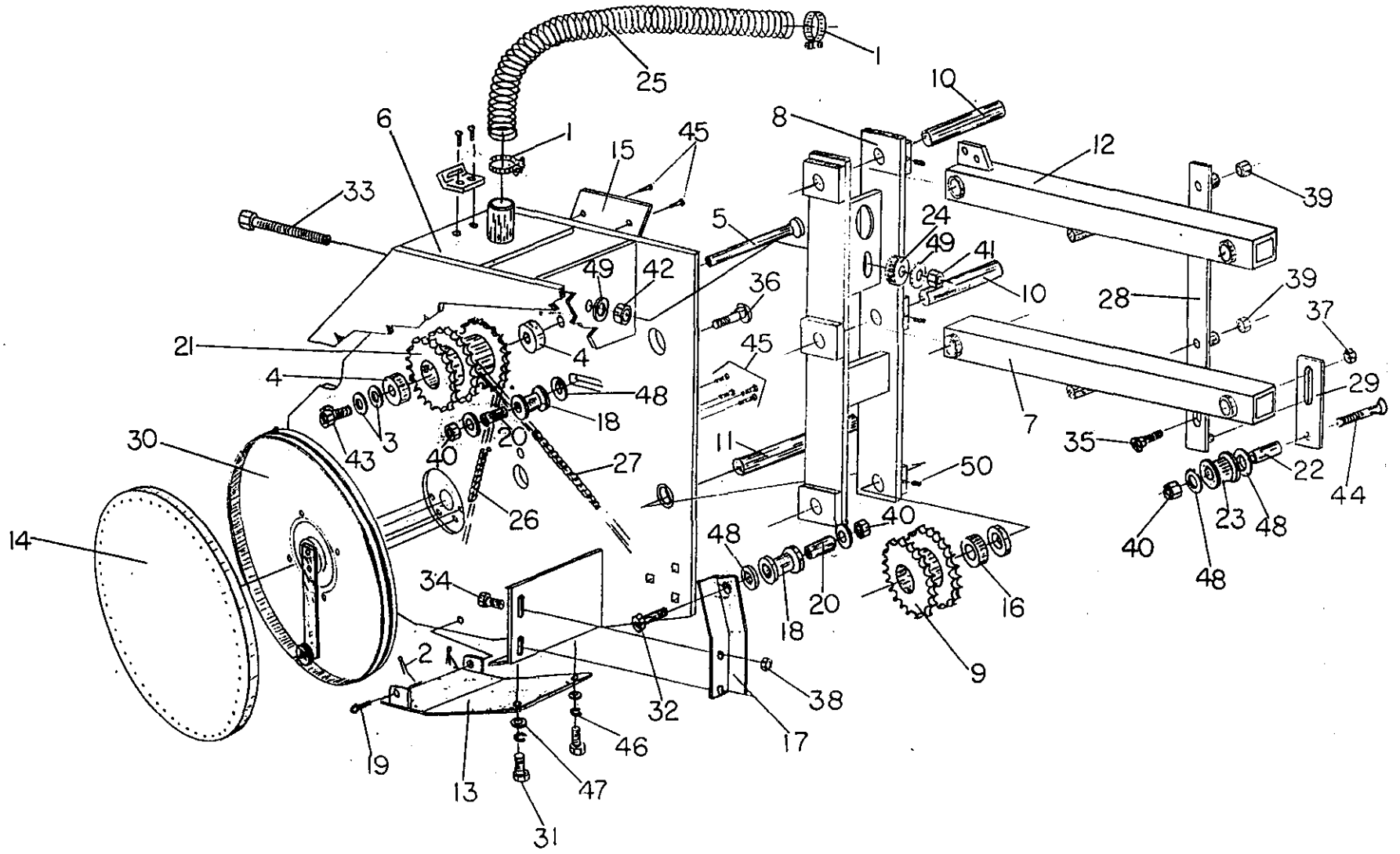
HOUSING GROUP, T10472



HOUSING GROUP, T10472
(NOTE: NO. REQUIRED IS FOR 8 ROW SOWER)

<u>ITEM NO.</u>	<u>PART NO.</u>	<u>NO. REQ.</u>	<u>DESCRIPTION</u>
1	D10143	8	HOSE CLAMP, SAE #20
4	T10005	16	BEARING
5	T10027	8	CLUSTER DRIVE SHAFT
6	T10059	8	HOUSING
	T10432	8	ANCHOR (INCLUDED WITH T10059)
7	T10079	8	LOWER LINK
8	T10091	8	LINK
9	T10142	8	SPROCKET CLUSTER
10	T10146	16	PIVOT PIN
11	T10163	8	PIVOT PIN
12	T10269	8	UPPER LINK
13	T10297	8	BELLY PAN
14	T10300	16	SEED PLATE (90 HOLE)
15	T10303	8	LEFT COVER
	T10304	8	RIGHT COVER
16	T10320	8	BEARING, 3/4" (WITH LOCKING COLLAR)
	T10321	(8)	LOCKING COLLAR ONLY
17	T10342	8	TIGHTNER BRACKET
18	T10343	24	NYLON IDLER
19	T10356	16	CLEVIS PIN
20	T10401	24	IDLER SLEEVE
21	T10408	8	DRIVE CLUSTER SPROCKET
22	T10422	8	SLEEVE, IDLER
23	T10423	8	IDLER, CHAIN
24	T10456	8	RUBBER WASHER
25	T10463	8	VACUUM TUBE
26	T10497	16	CHAIN ROLLER #35
27	T10501	8	CHAIN ROLLER #40
	A20447	8	OFFSET LINK #40
	A20448	16	CONNECTOR LINK #40
28	T10586	8	LINK, IDLER
29	T10587	8	LOWER PLATE
30	T10597	16	SEED DISC ASSEMBLY, REFER TO PAGE 23
31	X2A0250075	16	1/4-20 UNC x 3/4 CAPSCREW
32	X2A0370175	8	3/8-16 UNC x 1-3/4 CAPSCREW
33	X2A0500451	8	1/2-13 UNC x 4-1/2 FULL THD CAP SCR
34	X2B0250075	16	1/4-20 UNC x 3/4 CARRIAGE SCREW
35	X2B0370075	8	3/8-16 UNC X 0.75 CARRIAGE SCREW
36	X2B0370200	16	3/8-16 UNC x 2.00 CARRIAGE SCREW
37	X2D037	8	3/8-16 UNC JAM NUT
38	X2E025-SF3	16	1/4-20 UNC WHIZ LOCK NUT
39	X2E037-SF2	16	B1818, 3/8-16 UNC SM FLANGE LOCK NUT
40	X2E037-SF3	24	3/8-16 UNC WHIZ LOCK NUT

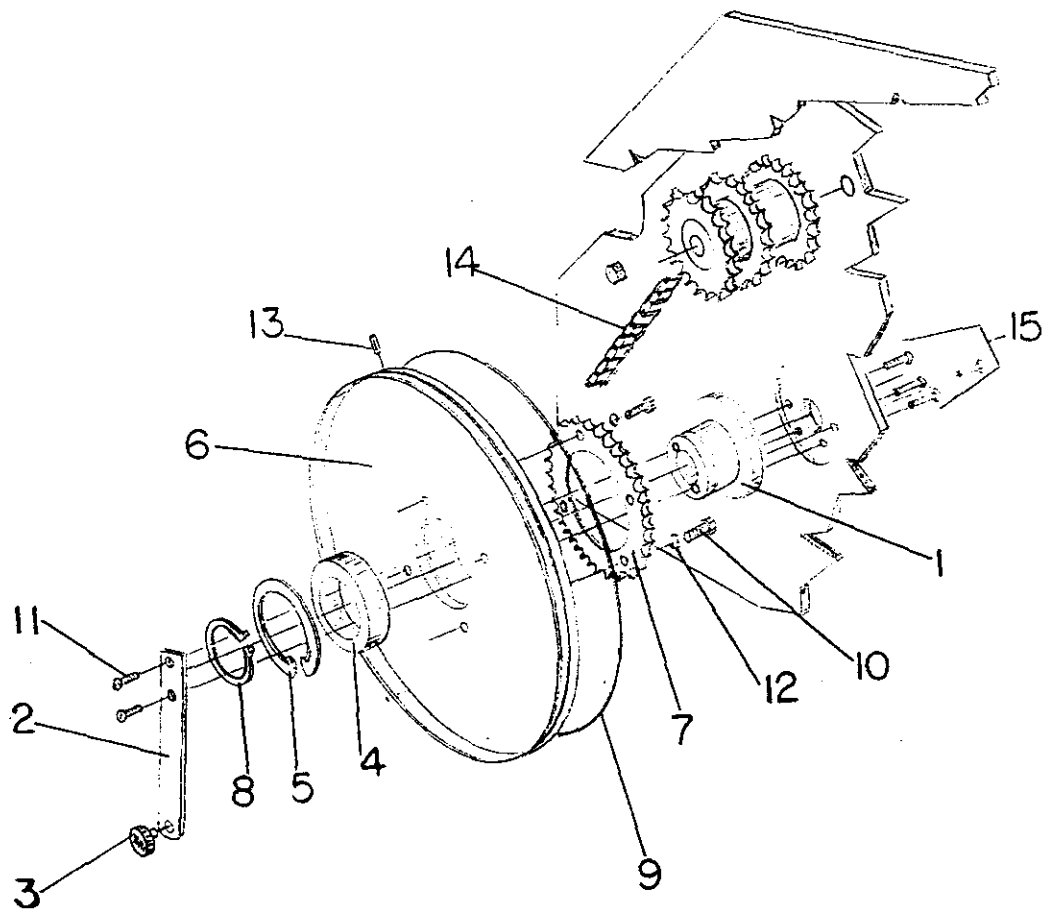
HOUSING GROUP, T10472



HOUSING GROUP, T10472, Continued:
(NOTE: NO. REQUIRED IS FOR 8 ROW SOWER)

<u>ITEM NO.</u>	<u>PART NO.</u>	<u>NO. REQ.</u>	<u>DESCRIPTION</u>
41	X2E050-NY1	8	1/2-13 UNC NYLOCK NUT
42	X2E050-SF3	8	1/2-13 UNC WHIZ LOCK NUT
43	X2K0370100	8	3/8-16 UNC x 1.00 FLAT HEAD CAPSCREW
44	X2K0370250	8	3/8-16 UNC X 2.50 FLAT HEAD CAPSCREW
45	X2L0100037	128	#10-32 x 3/8 FLAT SOCKET HEAD SCREW
46	X3B025	16	1/4" LOCK WASHER
47	X3C025	16	1/4" FLAT WASHER
48	X3C031	48	5/16 FLAT WASHER
49	X3C050	16	1/2" FLAT WASHER
50	X3G188-150	24	3/16 x 1-1/2 ROLL PIN

SEED DISC ASSEMBLY, T10597



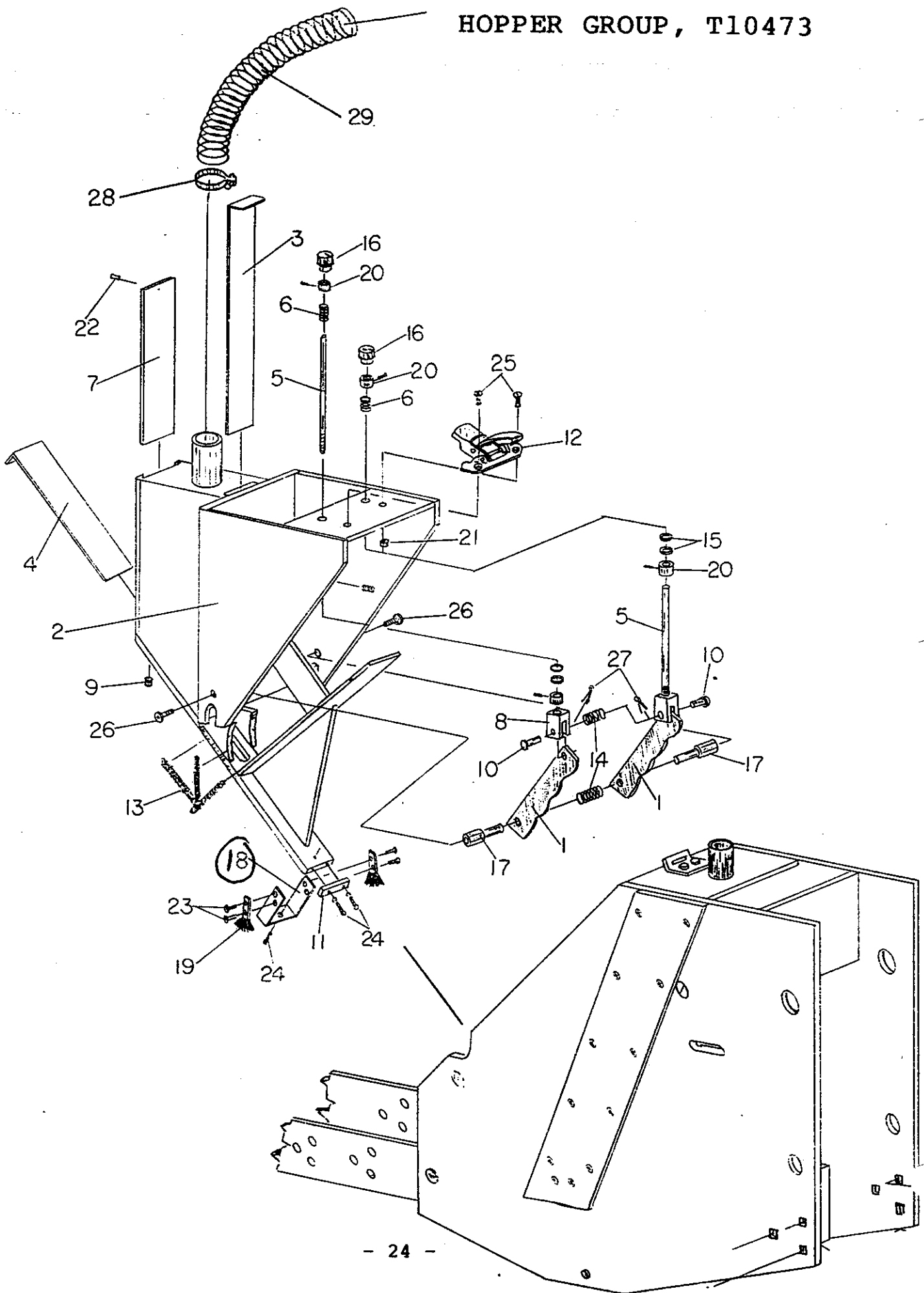
SEED DISC ASSEMBLY, T10597
 (NOTE: NO. REQUIRED IS FOR 8 ROW SOWER)

<u>ITEM NO.</u>	<u>PART NO.</u>	<u>NO. REQ.</u>	<u>DESCRIPTION</u>
1	T10007	16	DISC MOUNT HUB
2	T10301	16	VACUUM BREAKER ARM
3	T10302	16	VACUUM BREAKER PLUG
4	T10316	16	BEARING
5	T10357	16	INTERNAL RETAINER
6	T10393	16	SEED PLATE DISC
7	T10406	16	SPROCKET
8	T10413	16	EXTERNAL RETAINER
9	T10419	16	SEED PLATE DISC "O" RING
10	X2A0250075	64	1/4-20 UNC x 3/4 CAPSCREW
11	X2K0080038	32	#8-32 x 3/8 FLAT SOCKET HEAD SCREW
12	X3B025	64	1/4" LOCK WASHER
13	X3G125-050	16	SPRING PIN, 1/8 X 0.050

PARTS FROM OTHER GROUPS:

14	T10497	16	ASSEMBLY, ROLLER CHAIN, #35
	S11095	16	OFFSET LINK #35
	S11096	16	CONNECTOR LINK #35
15	X2L0100075	64	#10-32 x 3/4 FLAT SOCKET HEAD SCREW

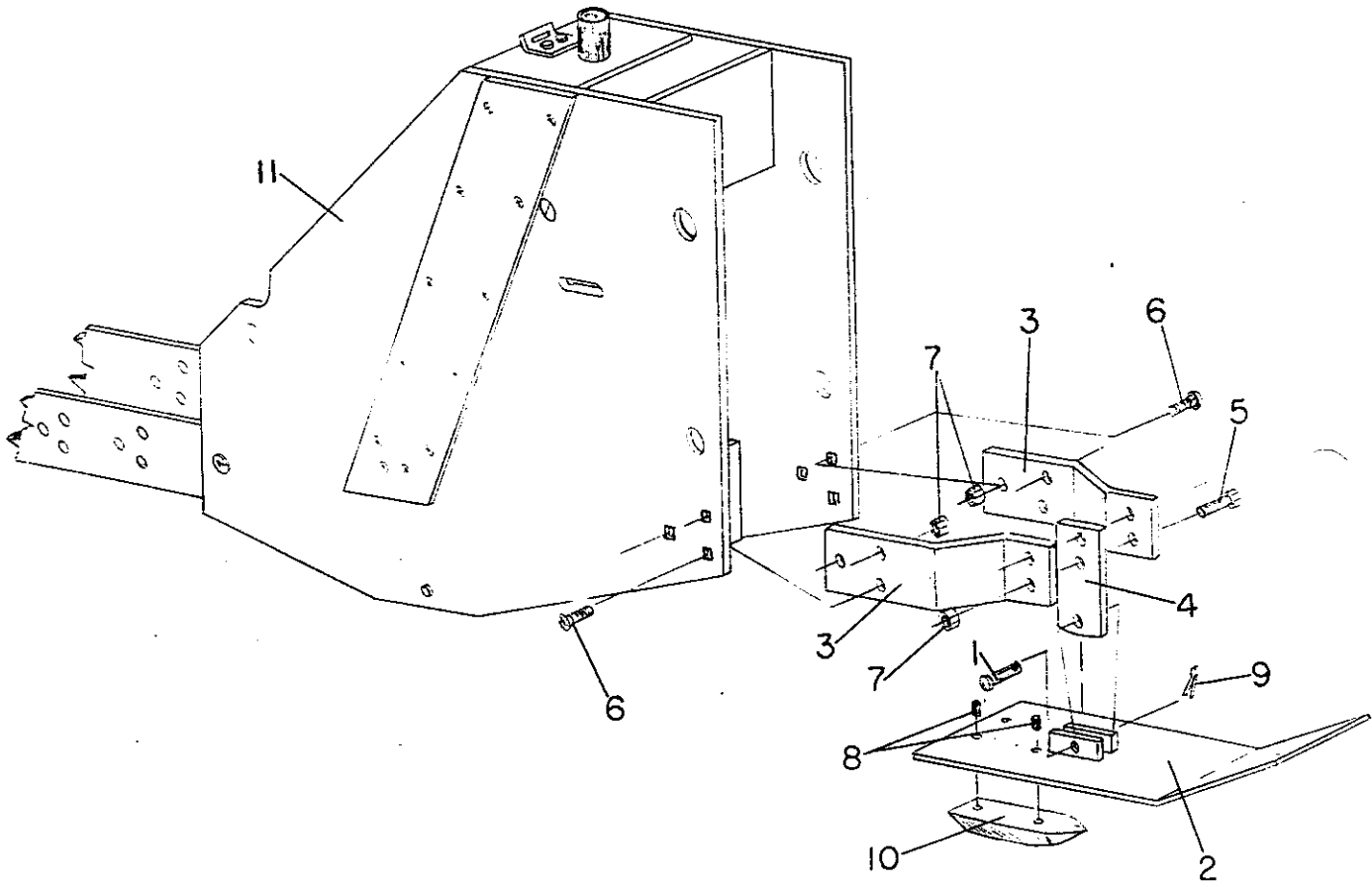
HOPPER GROUP, T10473



HOPPER GROUP, T10473
(NOTE: NO. REQUIRED IS FOR 8 ROW SOWER)

<u>ITEM NO.</u>	<u>PART NO.</u>	<u>NO. REQ.</u>	<u>DESCRIPTION</u>
1	T10048	16	SINGULATOR KNIFE
2	T10322	8	SEED HOPPER
3	T10340	8	CONTROL GATE
4	T10341	8	DRAIN GATE
5	T10346	16	KNIFE ADJUSTMENT LINK
6	T10349	16	SPRING, COMPRESSION
7	T10353	8	SEED HOPPER BACK
8	T10354	16	CLEVIS
9	T10355	16	LATCH BALL PLUNGER
10	T10356	16	CLEVIS PIN
11	T10358	8	SEED KNOCK OFF
12	T10431	8	LATCH
13	T10477	AS NEEDED	BRUSH PILE WEATHER STRIPPING, PER INCH
14	T10489	16	COMPRESSION SPRING
15	T10490	16	SPHERICAL WASHER SET
16	T10491	16	KNOB
17	T10560	16	KNIFE, PIVOT
18	T10592	8	BRUSH BRACKET
19	T10593	16	BRUSH
20	T10643	32	SET COLLAR, 1/4
21	X2E010-SF1	16	H1102, #10-24 UNC SM FLANGE LOCK NUT
22	X2K0040050	8	#4-40 x 0.50 MACHINE SCREW
23	X2K0060037	32	#6-32 x 0.375 MACHINE SCREW
	X3B006	32	#6 INTERNAL LOCK WASHER
24	X2K0060051	24	#6-32 x 0.50 MACHINE SCREW
	X3B006	24	#6 INTERNAL LOCK WASHER
25	X2K0100075	16	#10-24 UNC X 3/4 RD HEAD MACH SCREW
26	X2K0370100	16	3/8-16 UNC x 1.00 FLAT HEAD CAPSCREW
27	X3A06-050	16	1/16 x 1/2" COTTER PIN
NOT SHOWN:	T10632	8	FUNNEL
	T10571	1	INSPECTION MIRROR
PARTS FROM OTHER GROUPS:			
28	D10143	8	HOSE CLAMP, SAE #20
29	T10463	8	VACUUM TUBE

FLOAT GROUP, T10474



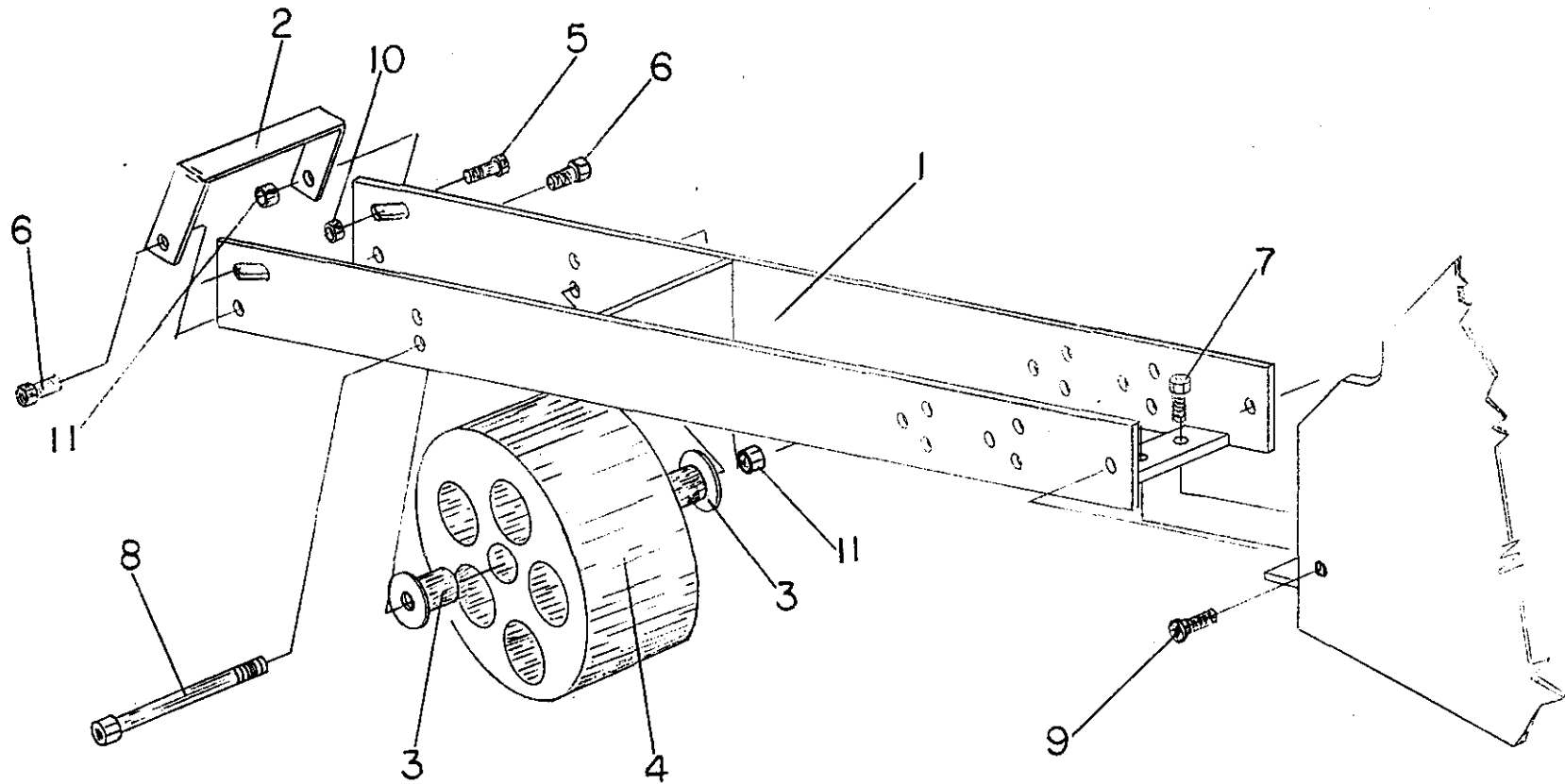
FLOAT GROUP, T10474
 (NOTE: NO. REQUIRED IS FOR 8 ROW SOWER)

<u>ITEM NO.</u>	<u>PART NO.</u>	<u>NO. REQ.</u>	<u>DESCRIPTION</u>
1	T10012	8	CLEVIS PIN
2	T10394	8	FLOAT-SKI
3	T10397	16	BRACKET, FLOAT
4	T10398	8	STRUT
5	X2A0370150	16	3/8-16 UNC x 1-1/2 CAPSCREW
6	X2B0370100	48	3/8-16 UNC x 1.00 CARRIAGE BOLT
7	X2E037-SF3	64	3/8-16 UNC WHIZ LOCK NUT
8	X2K0100051	32	#10-24 UNC x 1/2 SOCKET HD CAPSCREW
9	X3A15-075	16	5/32 x 3/4 COTTER PIN
10	T10449	16	ANGLED FURROW BAR, 3/4"
	T10420	16	ANGLED FURROW BAR, 7/16"
	INQUIRE	*	ALTERNATE FURROW BAR SHAPES

PARTS FROM OTHER GROUPS :

11	T10472	8	HOUSING GROUP
----	--------	---	---------------

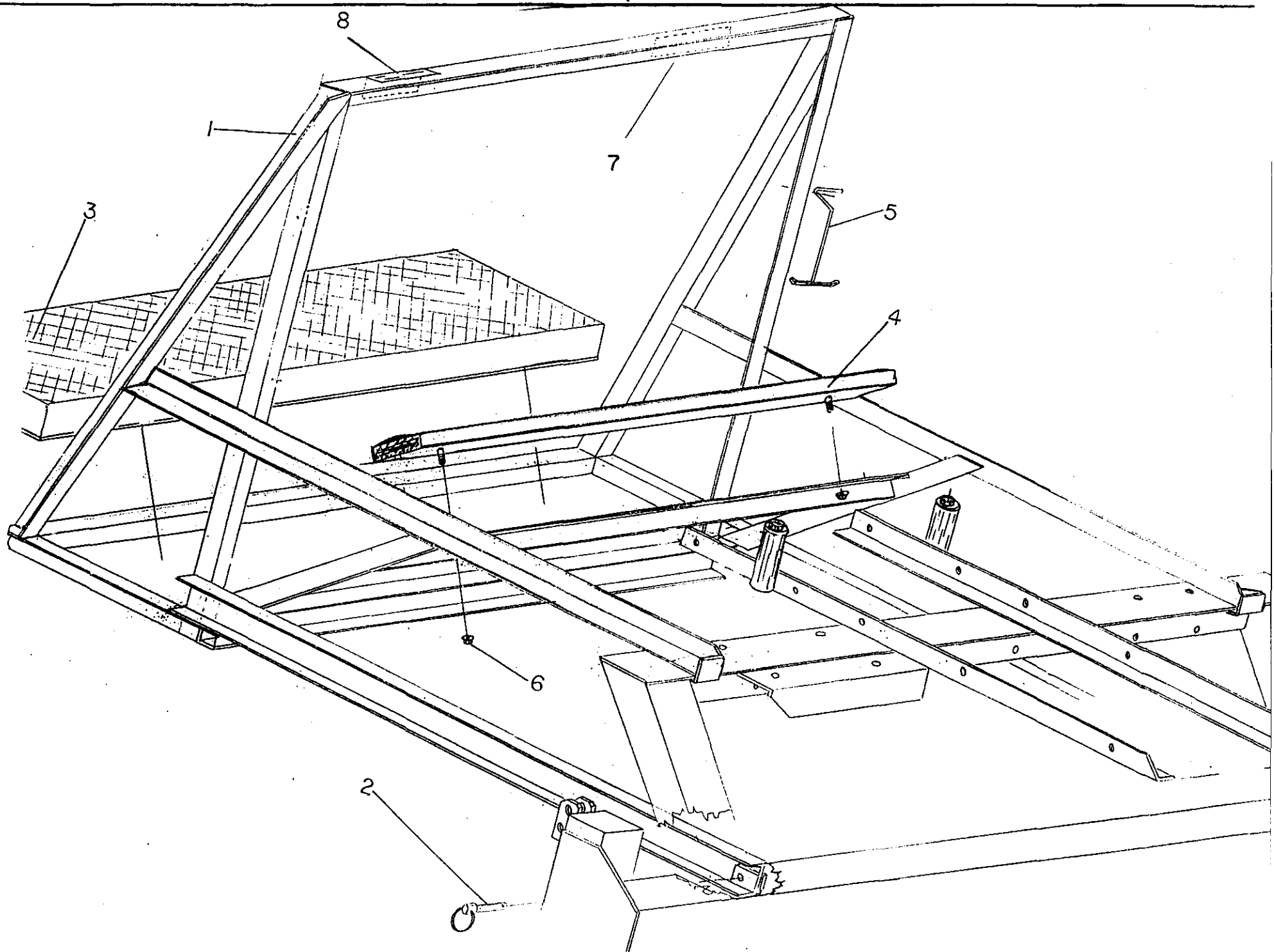
PACKING WHEEL PACKAGE, T10476



PACKING WHEEL PACKAGE, T10476
(NOTE: NO. REQUIRED IS FOR 8 ROW SOWER)

<u>ITEM NO.</u>	<u>PART NO.</u>	<u>NO. REQ.</u>	<u>DESCRIPTION</u>
1	T10450	8	FRAME
2	T10482	8	SCRAPER, WHEEL
3	T10588	16	BEARING
4	T10589	8	PRESS WHEEL
5	X2A0310075	16	5/16-18 UNC X 0.75 CAPSCREW
6	X2A0370075	16	3/8-16 UNC x 0.75 CAPSCREW
7	X2A0370100	16	3/8-16 UNC x 1.00 CAPSCREW
8	X2A0370500	16	3/8-16 UNC x 5.00 CAPSCREW
9	X2B0370100	16	3/8-16 UNC x 1.00 CARRIAGE BOLT
10	X2E031-LF1	16	5/16-18 UNC LG FLANGE TOP LOCK
11	X2E037-SF2	56	B1818, 3/8-16 UNC SM FLNG SIDE LOCK

PLATFORM GROUP, T10504



PLATFORM GROUP, T10504

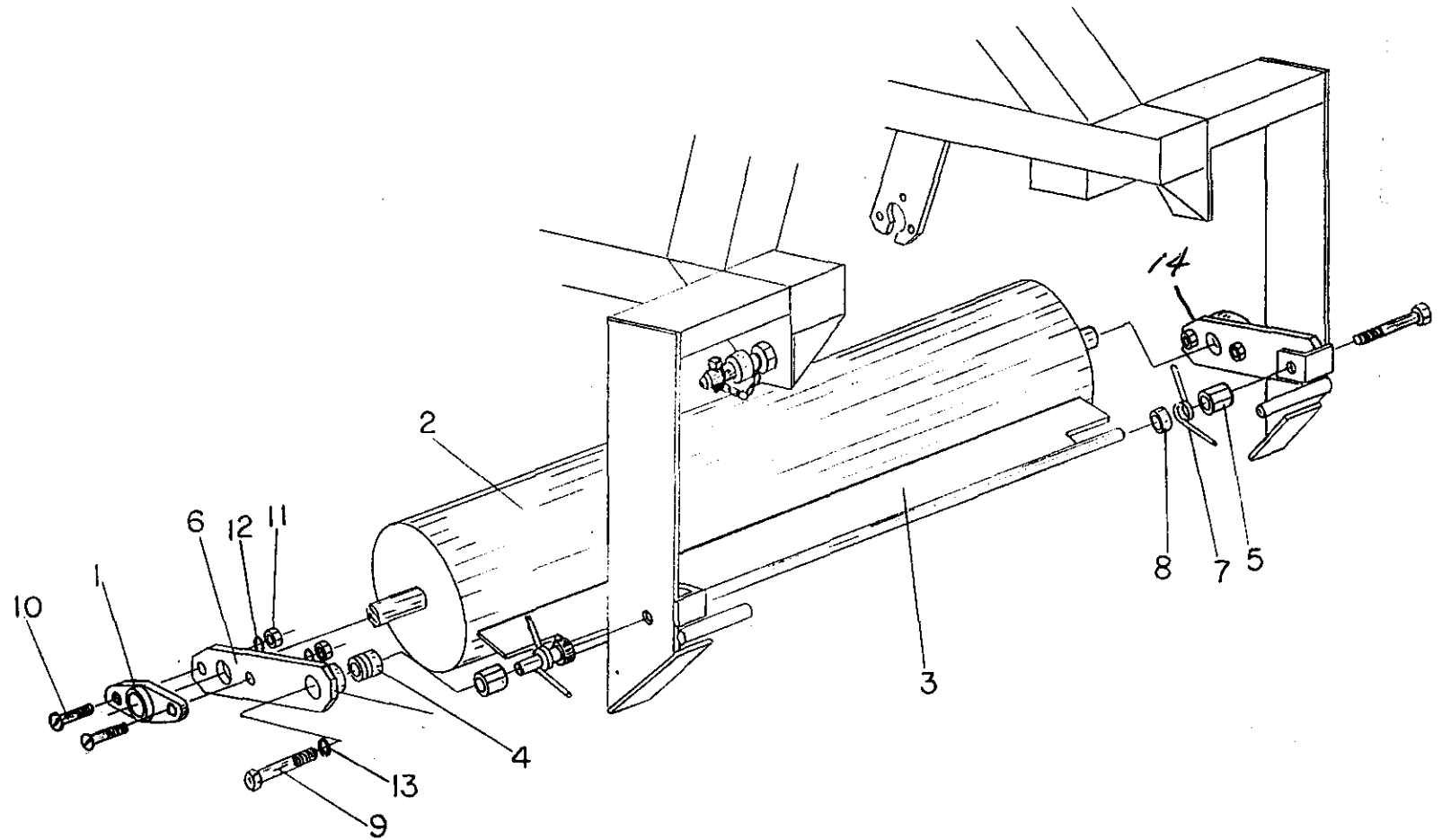
<u>ITEM NO.</u>	<u>PART NO.</u>	<u>NO. REQ.</u>	<u>DESCRIPTION</u>
1	T10255	1	FRAME, PLATFORM
2	T10549	2	PIN, HITCH
3	T10599	1	CUSHION
4	T10600	1	HEAD REST
5	T10604	1	LIFT HANDLE
6	X2E031-SF3	2	5/16-18 UNC WHIZ LOCK SM FLANGE

PARTS FROM OTHER GROUPS:

7	D3	1	DECAL, LOVE, SMALL
8	D85	1	DECAL, CAUTION

ROLLER GROUP, T10590

*

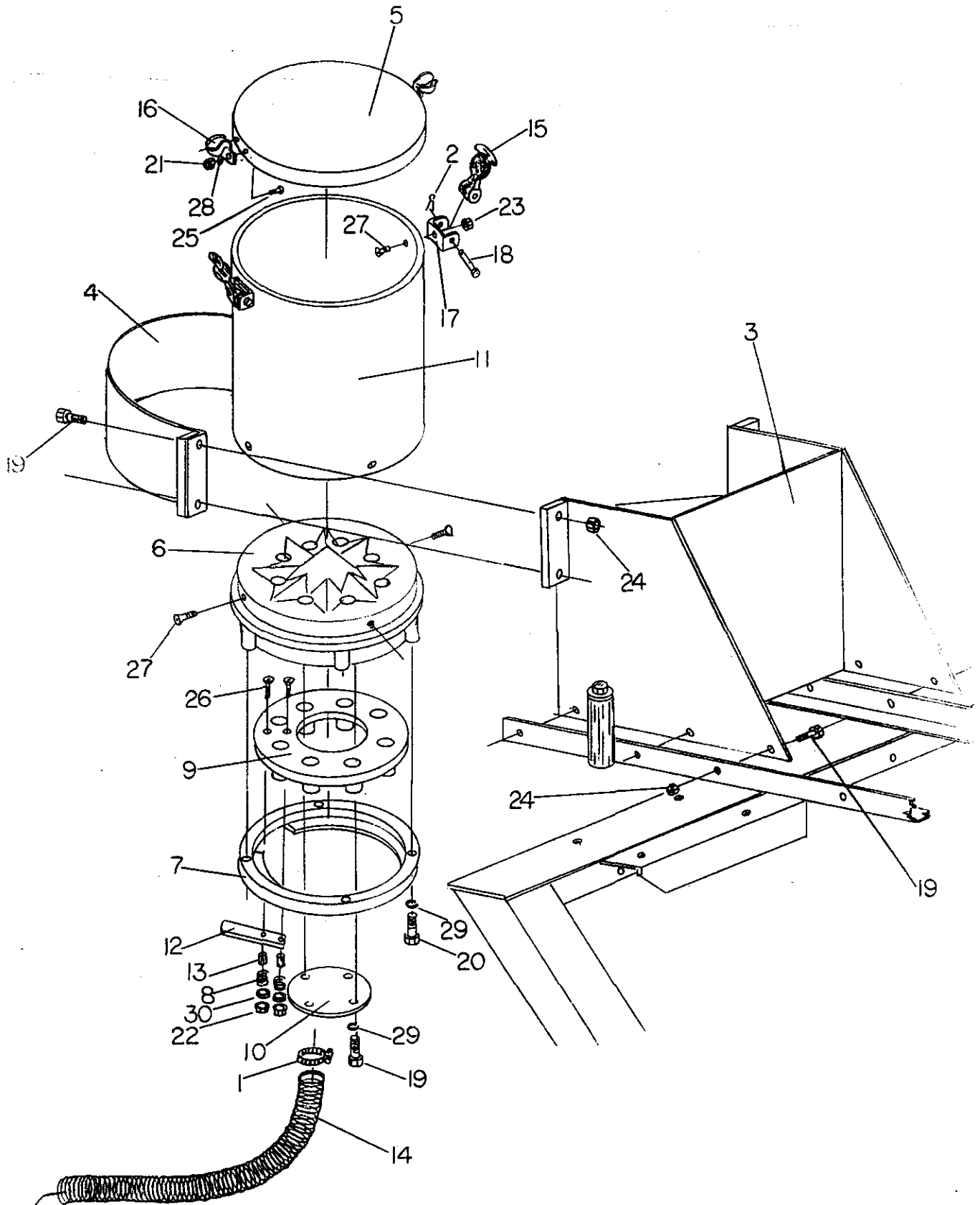


*

ROLLER GROUP, T10590

<u>ITEM NO.</u>	<u>PART NO.</u>	<u>NO. REQ.</u>	<u>DESCRIPTION</u>
1	B1664	2	BEARING
2	T10579	1	ROLLER
3	T10580	1	SCRAPER
4	T10581	2	JOURNAL
5	T10582	2	NUT
6	T10583	1 2	ROLLER LINK, <i>LH</i>
7	T10591	2	SPRING
8	T10601	2	SPACER, TORSION SPRING
9	X2A0500250	2	1/2-13 UNC X 2.50 CAPSCREW
10	X2B0310125	4	5/16-18 UNC X 1.25 CARRIAGE SCREW
11	X2C031	4	5/16-18 UNC HEX NUT
12	X3B031	4	5/16 LOCK WASHER
13	X3B050	2	1/2 LOCK WASHER
<i>14</i>	<i>T10650</i>	<i>1</i>	<i>LINK, ROLLER - RH</i>

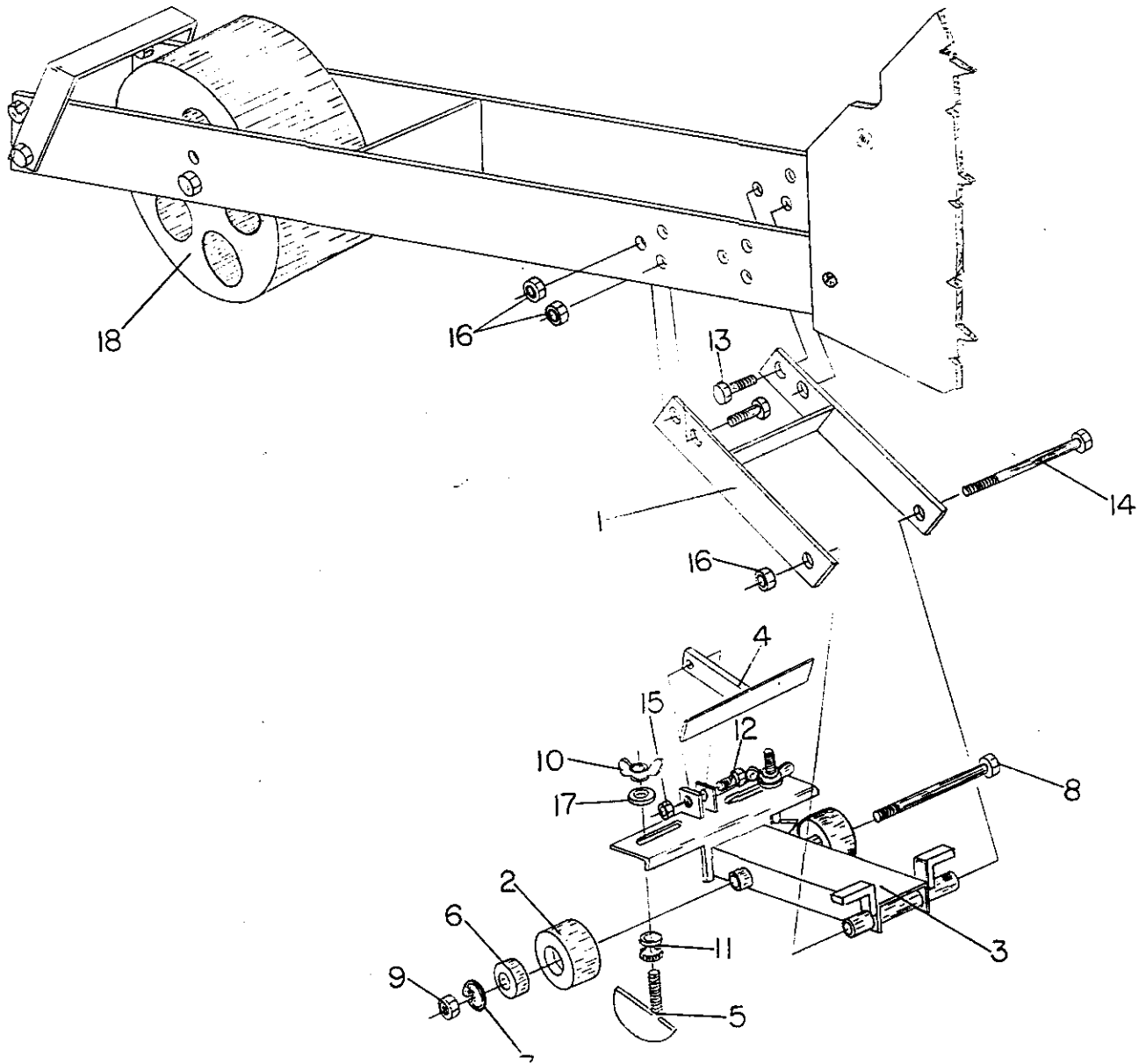
SEED DISTRIBUTION GROUP, T10224



SEED DISTRIBUTION GROUP, T10224
(OPTIONAL)

<u>ITEM NO.</u>	<u>PART NO.</u>	<u>NO. REQ.</u>	<u>DESCRIPTION</u>
1	D10143	16	HOSE CLAMP, SAE #20
2	S11080	2	COTTER PIN, 3/32 X 3/4
3	T10209	1	SUPPORT, HOPPER
4	T10216	1	STRAP
5	T10221	1	COVER, HOPPER
6	T10260	1	BASE, HOPPER
7	T10263	1	RING, RETAINING
8	T10349	2	SPRING, COMPRESSION
9	T10417	1	DISTRIBUTOR ASSEMBLY
10	T10424	1	RETAINER
11	T10425	1	TUBE, HOPPER
12	T10426	1	LATCH, DISTRIBUTOR
13	T10446	2	SPACER
14	T10462	8	TUBE, FLEX SEED
15	T10524	2	LATCH, RUBBER
16	T10525	2	BRACKET
17	T10526	2	ANCHOR
18	T10530	2	PIN, CLEVIS, 1/4 X 1.50
19	X2A0370100	14	3/8-16 UNC X 1.00 CAPSCREW
20	X2A0370150	4	3/8-16 UNC X 1.50 CAPSCREW
21	X2C010	4	#10-24 UNC HEX NUT
22	X2E025-SF3	2	1/4-20 UNC WHIZ LOCK SM FLANGE
23	X2E031-SF3	2	5/16-18 UNC WHIZ LOCK SM FLANGE
24	X2E037-SF3	10	3/8-16 UNC WHIZ LOCK SM FLANGE
25	X2K0100050	4	#10-24 UNC X 0.50 MACHINE SCREW
26	X2K0250150	2	1/4-20 UNC X 1.50 FLAT CSK HEAD SCREW
27	X2K0310079	6	5/16-18 UNC X 0.75 FLAT CSK HEAD SCREW
28	X3B010	4	B1824, #10 MED SPLIT LOCK WASHER
29	X3B037	8	3/8 LOCKWASHER
30	X3C025	2	1/4 FLAT WASHER

COVERING DEVICE, T10620



COVERING DEVICE, T10620

(OPTIONAL)

(NOTE: NO. REQUIRED IS FOR 8 ROW SOWER)

<u>ITEM NO.</u>	<u>PART NO.</u>	<u>NO. REQ.</u>	<u>DESCRIPTION</u>
1	T10624	8	COVERING MOUNT ASSEMBLY
2	T10625	16	WHEEL, GAUGE
3	T10628	8	FRAME, COVERING DEVICE
4	T10629	8	SCRAPER
5	T10630	16	SWEEP
6	T10634	16	BEARING
7	T10636	16	INTERNAL RETAINING RING
8	T10637	8	BOLT, GAUGE WHEEL
9	T10638	8	NUT, GAUGE WHEEL
10	T10645	16	WING NUT, 5/16-18 UNC
11	T10646	16	FINGER NUT, 5/16-18 UNC
12	X2A0250075	8	1/4-20 UNC x 0.75 CAPSCREW
13	X2A0370100	32	3/8-16 UNC x 1.00 CAPSCREW
14	X2A0370450	8	3/8-16 UNC x 4.50 CAPSCREW
15	X2E025-NF2	8	1/4-20 UNC NO FLANGE SIDE LOCK
16	X2E037-NF2	48	3/8-16 UNC NO FLANGE CNTR LOCK
17	X3C031	32	5/16 FLAT WASHER

PARTS NOT OF THIS GROUP:

18	T10476	8	PACKING WHEEL PACKAGE
----	--------	---	-----------------------

Part Number Page Reference

<u>PART NO.</u>	<u>DESCRIPTION</u>	<u>PAGE NUMBER</u>
A20303	FLANGE	9, 11
A20304	BEARING, SPHERICAL	9
A20447	OFFSET LINK, RC 40	9, 11, 19
A20448	RC 40 CONNECTOR LINK	9, 11, 19
B1664	BEARING	33
B5166	YOKE, 1-3/8" 6 SPLINE	17
B5167	DOUBLE YOKE	17
B5168	INBOARD YOKE, INNER PROFILE	17
B5169	SPRING PIN, 10 mm X 80 mm	17
B5172	INBOARD YOKE, OUTER PROFILE	17
B5173	CROSS & BEARING KIT	17
B5176	BEARING RING	17
B5178	SAFETY CHAIN	17
B5277	CV CONE & BEARING ASSEMBLY	17
B5278	SHIELD CONE, 3 RIB	17
D1	DECAL, LOVE, LARGE	3, 7
D3	DECAL, LOVE, SMALL	3, 7, 31
D18	DECAL, CAUTION	3, 7
D24	DECAL, BE CAREFUL	7
D28-2	DECAL, SERIAL NUMBER	3, 7
D85	DECAL, SAFETY	3, 7, 31
D87-7	VACUUM SOWER PATENT	7
D107	DECAL, DANGER, PTO OUTER	17
D111	DECAL, DANGER, PTO INNER	17
D113	DECAL, "816SL VACUUM SOWER"	3, 7
D10089	QUICK PIN	3, 7
D10137	SPRING LOCK PIN	3
D10143	HOSE CLAMP, SAE #20	19, 25, 35
D10328	HOSE CLAMP, SAE #88, 4-1/2" MAX.	13
F1144	CLOSE NIPPLE, 1-1/4"	3
F1225	BALL VALVE, 1-1/4"	3
F1226	SQUARE HEAD PLUG	15
S10030	UPPER HITCH PIN	3
S11003	ROLLER STOP PIN	3
S11080	COTTER PIN	3, 7, 35
S11095	OFFSET LINK, #35	19, 23
S11096	#35 CONNECTOR	19, 23
T10005	BEARING	19
T10007	HUB, DISC MOUNT	23
T10012	PIN, CLEVIS	5, 27
T10027	SHAFT, CLUSTER DRIVE	19
T10048	KNIFE, SINGULATOR	25
T10059	HOUSING	19
T10079	LINK	19
T10091	LINK	19
T10098	LINK, ADJUSTABLE	3
T10099	BEARING, 7/8 HEX	11
T10115	FRAME, GAGE WHEEL	9
T10124	BLOCK, CLAMP	5
T10142	SPROCKET, CLUSTER	19
T10146	PIN, PIVOT	19

<u>PART NO.</u>	<u>DESCRIPTION</u>	<u>PAGE NUMBER</u>
T10163	PIN, PIVOT	19
T10165	PIN, PIVOT	5
T10168	FRAME	3
T10181	BEARING, PILLOW BLOCK	15
T10182	SHAFT, HEX DRIVE	11
T10191	SHAFT, AXLE	9
T10192	PIN, LEFT ARM	3
T10218	SHAFT, DRIVE	15
T10226	PIN, PIVOT	9
T10237	CHAIN, ROLLER	9, 11
T10255	FRAME, PLATFORM	31
T10269	LINK	19
T10272	BRACKET, IDLER	9
T10273	ARM, IDLER	9
T10275	FILTER, AIR	13
T10276	FILTER, ELEMENT	13
T10279	ADAPTER, REDUCER	13
T10280	ADAPTER, REDUCER	13
T10281	BAND, MOUNTING	13
T10285	PUMP, VACUUM incl. T10557	13, 15
T10288	SHEAVE	15
T10289	HUB, TAPERED	15
T10290	BELT, POLY-V	15
T10292	HUB	9
T10293	TIRE & WHEEL ASSEMBLY	9
T10297	SHIELD	19
T10300	PLATE, SEED	19
T10301	ARM, VACUUM BREAKER	23
T10302	PLUG, VACUUM BREAKER	23
T10303	COVER, LEFT	19
T10304	COVER, RIGHT	19
T10309	SLEEVE, INNER	5
T10313	ANCHOR	5
T10316	BEARING, FAFNIR 9110PP	23
T10320	BEARING, FAFNIR RA-012 RR	19
T10321	COLLAR, LOCKING FAFNIR S1012K	19
T10322	HOPPER	25
T10340	GATE, CONTROL	25
T10341	GATE, DRAIN	25
T10342	BRACKET, TIGHTENER	19
T10343	IDLER	19
T10346	LINK, KNIFE ADJUST.	25
T10349	SPRING, COMPRESSION	25, 35
T10353	BACK, SEED HOPPER	25
T10354	CLEVIS	25
T10355	LATCH, BALL PLUNGER	25
T10356	PIN, CLEVIS	19, 25
T10357	RETAINER, INTERNAL	23
T10358	FLAT, SEED KNOCK OFF	25
T10359	ARM, IDLER	15
T10382	SPROCKET, 23 TOOTH	9
T10384	SPROCKET, 28 TOOTH	11

<u>PART NO.</u>	<u>DESCRIPTION</u>	<u>PAGE NUMBER</u>
T10393	DISC SEED PLATE	23
T10394	FLOAT	27
T10397	BRACKET FLOAT	27
T10398	BRACKET FLOAT	27
T10401	SLEEVE IDLER	19
T10406	SPROCKET 60 T	23
T10408	SPROCKET DRIVE CLUSTER	19
T10413	RETAINER, EXTERNAL	23
T10414	SPRING, EXTENSION	5, 15
T10418	SPACER	5
T10419	O-RING SEED DISC	23
T10420	ANGLED FURROW BAR 7/16"	27
T10421	PIN LYNCH w/CHAIN	3
T10422	SLEEVE IDLER	9, 19
T10423	IDLER CHAIN	9, 19
T10427	CHAIN ROLLER #40	9, 19
T10428	SPACER	9
T10429	SPACER	9
T10431	LATCH	25
T10432	ANCHOR	19
T10449	ANGLED FURROW BAR 3/4"	27
T10450	FRAME	29
T10456	WASHER, RUBBER	19
T10463	TUBE, VACUUM	5, 19, 25
T10465	VACUUM GAUGE	3, 15
T10466	CLEVIS w/PIN	5
T10467	CHAIN SUPPORT	5
T10470	TUBE, FLEX	13
T10471	IDLER BELT	15
T10472	HOUSING GROUP	19, 21, 27
T10474	FLOAT GROUP	27
T10476	PACKING WHEEL PACKAGE	29, 37
T10477	SEAL, WEATHERSTRIP	25
T10482	SCRAPER WHEEL	29
T10489	SPRING, COMPRESSION	25
T10490	WASHER, SPHERICAL	25
T10491	KNOB	25
T10497	CHAIN ROLLER #35	19, 23
T10504	PLATFORM, GROUP	31
T10505	TUBE, VACUUM	13
T10516	SHIELD, WELDED	3, 7
T10520	CLAMP	7, 13
T10523	SPACER, HITCH PIN	3
T10524	LATCH, RUBBER	7, 35
T10525	BRACKET	35
T10526	ANCHOR	7, 35
T10527	SHIELD, SIDE	3, 7
T10530	PIN, CLEVIS 1/4 X 1.50	7, 35
T10536	SUPPORT	3
T10537	SHIELD, PIVOTING	3, 7
T10545	SHIELD, FIXED	3, 7
T10548	PIN, HITCH	3

<u>PART NO.</u>	<u>DESCRIPTION</u>	<u>PAGE NUMBER</u>
T10549	PIN, HITCH	31
T10560	PIVOT	25
T10561	SPROCKET, #40 A41T	25
T10564	KEY, 1/2 SQ X 1.00	9
T10565	KEY, 1/4 SQ X 2.50	9
T10566	HOSE CLAMP	13
T10567	MACHINE KEY	15
T10570	PTO SHAFT	15, 17
T10571	INSPECTION MIRROR WITH LIGHT	25
T10572	INNER PROFILE	17
T10573	OUTER PROFILE	17
T10574	OUTER SHIELD TUBE, OVAL	17
T10575	INNER SHIELD, ROUND	17
T10577	DRIVE SPROCKET, 38 T	9
T10579	ROLLER	33
T10580	SCRAPER	33
T10581	JOURNAL	33
T10582	NUT	33
T10583	ROLLER LINK	33
T10584	WHEEL	9
T10585	TIRE	9
T10586	LINK, IDLER	19
T10587	LOWER PLATE	19
T10588	WHEEL SPACER	29
T10589	PACKING WHEEL	29
T10591	SPRING	33
T10592	BRUSH BRACKET	25
T10593	BRUSH	25
T10595	PULLEY	15
T10596	KEY	15
T10597	SEED DISC ASSEMBLY	19, 23
T10598	HUMP HOSE CONNECTOR, 4 X 4	13
T10599	CUSHION	31
T10600	HEAD REST	31
T10601	SPACER, TORSION SPRING	33
T10602	SET COLLAR, 7/8 HEX	11
T10604	LIFT HANDLE	31
T10605	PTO SHAFT, 1000 R.P.M.	15, 17
T10608	INPUT HALF SHAFT ASSY, 540 R.P.M.	17
T10612	DRIVE SHAFT, 6B-SPLINE	15
T10613	PIN WITH CHAIN	3
T10620	COVERING DEVICE	37
T10621	PTO SHAFT, 1000 R.P.M., SERIAL NO. 1003 UP	15, 17
T10622	OUTPUT HALF SHAFT ASSY, 6B-SPLINE	17
T10623	PTO SHAFT, 540 R.P.M., SERIAL NO. 1003 UP	15, 17
T10624	COVERING MOUNT ASSEMBLY	37
T10625	WHEEL, GAUGE	37
T10628	FRAME, COVERING DEVICE	37
T10629	SCRAPER	37
T10630	SWEEP	37
T10631	STEP KEY	15
T10632	FUNNEL	25

<u>PART NO.</u>	<u>DESCRIPTION</u>	<u>PAGE NUMBER</u>
T10634	BEARING	37
T10636	INTERNAL RETAINING RING	37
T10637	BOLT, GAUGE WHEEL	37
T10638	NUT, GAUGE WHEEL	37
T10643	SET COLLAR, 1/4	25
T10644	PTO ADAPTER, 1-3/8 21 SPLINE TO 1-3/8 6B	15, 17
T10645	WING NUT, 5/16-18 UNC	37
T10646	FINGER NUT, 5/16-18 UNC	37
X2A0250075	1/4-20 x 3/4 CAPSCREW	19, 23, 37
X2A0310075	5/16-18 x .75 CAPSCREW	3, 7, 29
X2A0310100	5/16-18 x 1.00 CAPSCREW	3, 7, 29
X2A0310200	5/16-18 x 2.00 CAPSCREW (W/ T10289)	15
X2A0370075	3/8-16 x .75 CAPSCREW	29
X2A0370100	3/8-16 x 1.00 CAPSCREW	9, 13, 29, 35, 37
X2A0370150	3/8-16 x 1.50 CAPSCREW	27, 37
X2A0370175	3/8-16 x 1-3/4 CAPSCREW	19
X2A0370200	3/8-16 x 2.00 CAPSCREW	9
X2A0370275	3/8-16 x 2.75 CAPSCREW	17
X2A0370350	3/8-16 UNC X 3.50 CAPSCREW (INCLUDED IN T10168)	5
X2A0370450	3/8-16 UNC X 4.50 CAPSCREW	37
X2A0370500	3/8-16 x 5.00 CAPSCREW	29
X2A0500150	1/2-13 x 1.50 CAPSCREW	15
X2A0500250	1/2-13 UNC X 2.50 CAPSCREW	33
X2A0500300	1/2-13 x 3.00 CAPSCREW	15
X2A0500451	1/2-13 UNC X 4-1/2 FULL THRD CAPSCREW	19
X2A0500601	1/2-13 x 6.00 CAPSCREW FULL THREAD	5
X2A0620450	5/8-11 x 4.50 CAPSCREW	15
X2B1250075	1/4-20 x 3/4 CARRIAGE SCREW	19
X2B0310100	5/16-18 x 1.00 CARRIAGE SCREW	9, 11, 27, 29
X2B0310125	5/16-18 UNC X 1.25 CARRIAGE SCREW	33
X2B0370075	3/8-16 UNC X 0.75 CARRIAGE SCREW	19
X2B0370100	3/8-16 x 1.00 CARRIAGE SCREW	27, 29
X2B0370150	3/8-16 UNC X 1.50 CARRIAGE SCREW	15
X2B0370200	3/8-16 UNC X 2.00 CARRIAGE SCREW	19
X2B0370250	3/8-16 x 2.50 CARRIAGE SCREW	9
X2B0370301	3/8-16 UNC X 3.00 FULL THREAD CARRIAGE SCREW	15
X2B0500200	1/2-13 x 2.00 CARRIAGE SCREW	9
X2C010	#10-24 UNC HEX NUT	35
X2C031	5/16-18 UNC HEX NUT	33
X2C037	3/8-16 UNC HEX NUT	15
X2C050	1/2-13 HEX NUT	9
X2C062	5/8-11 HEX NUT	15
X2E010-SF1	H1102, #10-24 UNC SM FLANGE LOCK NUT	25
X2E025-SF3	1/4-20 WHIZ LOCK NUT	19, 35
X2E031-LF1	5/16-18 UNC LG FLANGE TOP LOCK	29
X2E031-SF3	5/16-18 WHIZ LOCK NUT	9, 11, 13, 31, 35
X2E037-NF2	3/8-16 UNC NO FLANGE CNTR LOCK	37
X2E037-SF2	3/8-16 UNC WHIZ LOCK NUT	19, 29
X2E037-SF3	3/8-16 WHIZ LOCK NUT	5, 7, 9, 13, 15, 17, 19, 27, 35

<u>PART NO.</u>	<u>DESCRIPTION</u>	<u>PAGE NUMBER</u>
X2E050-NY1	1/2-13 NYLOCK NUT	15, 21
X2E050-SF3	1/2-13 WHIZ LOCK NUT	21
X2K0040050	#4-40 x 0.50 MACHINE SCREW	25
X2K0060051	#6-32 x 0.50 MACHINE SCREW	25
X2K0080038	#8-32 x 0.37 SOCKETHEAD FLAT SCREW	23
X2K0100051	#10-24 SOCKET HEAD CAPSCREW	27
X2K0370100	3/8-16 x 1.00 FLATHEAD CAPSCREW	21, 25
X2L112-NUT	1-1/8-12 UNF HEX NUT	3
X2L0100037	#10-32 x 0.37 SOCKETHEAD FLAT SCREW	21
X2L0100075	#10-32 x 3/4 SOCKETHEAD FLAT SCREW	23
X3A06-050	1/16 X 1/2" COTTER PIN	25
X3A12-100	COTTER PIN, 1/8 X 1	5
X3A15-075	5/32 x 3/4 COTTER PIN	3, 27
X3A15-126	5/32 X 1-1/4 COTTER PIN	3
X3B006	#6 INTERNAL LOCK WASHER	25
X3B025	1/4" LOCK WASHER	21, 23
X3B031	5/16 LOCK WASHER (W/ T10289)	9, 33, 35
X3B037	3/8 LOCKWASHER	35
X3B050	1/2 LOCK WASHER	15, 33
X3B051	1/2" EXT. TOOTH LOCK WASHER	9
X3B062	5/8 LOCKWASHER	15
X3B125	1-1/8 LOCK WASHER	3
X3C025	1/4 FLATWASHER	21, 35
X3C031	5/16 FLAT WASHER	21, 37
X3C037	3/8 FLATWASHER	9
X3C050	1/2 FLATWASHER	5, 15, 21
X3C062	5/8 FLAT WASHER	15
X3C102	1" FLAT WASHER, TYPE B NARROW	11
X2D037	3/8-16 UNC JAM NUT	19
X3G188-150	3/16 x 1-1/2 ROLL PIN	21
X3G125-050	SPRING PIN, 1/8 X 1/2	23
X2K0060037	#6-32 X 0.375 MACHINE SCREW	25
X2K0100050	#10-24 UNC X 0.50 MACHINE SCREW	35
X2K0100075	#10-24 UNC X 3/4 RD HEAD MACH SCREW	25
X2K0250150	1/4-20 UNC X 1.50 FLAT CSK HEAD SCREW	35
X2K0310079	5/16-18 UNC X 0.75 FLAT CSK HEAD SCREW	35
X2K0370250	3/8-16 UNC X 2.50 FLAT HEAD CAP SCREW	21