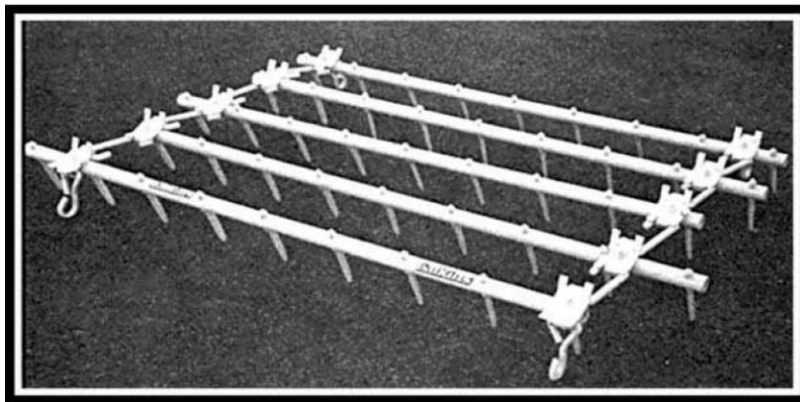




**SPIKE TOOTH
FLEX HARROW**
(3-BAR and 5-BAR)

Parts Manual



J.E. LOVE COMPANY
LOVE®

309 W. CALIFORNIA STREET
P.O. BOX 188
GARFIELD, WASHINGTON 99130-0188
(509) 635-1321 FAX: (509) 635-1434
www.jeloveco.com

CAUTION

BLOCK SECURELY

Do not place yourself under any equipment suspended hydraulically, with mechanical stops, jacks or hoists, without blocking securely.

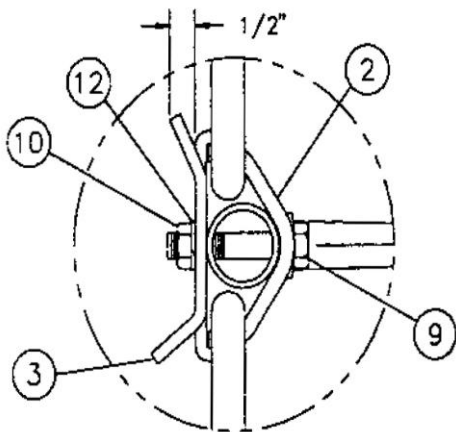
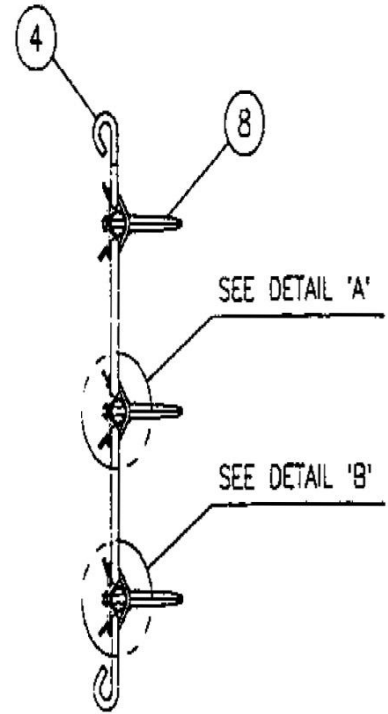
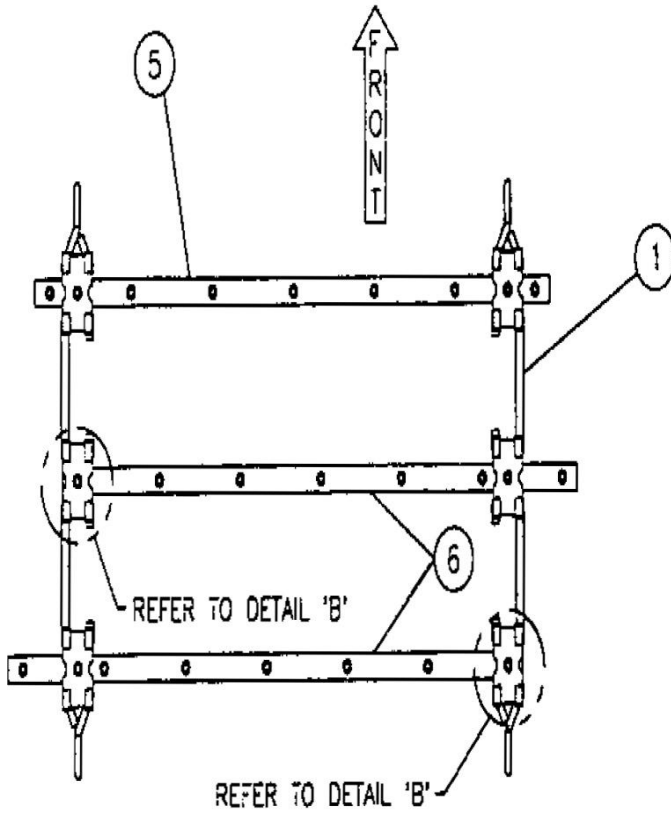
Make sure machine cannot roll.

Table of Contents

Title	Page
Table of Contents (TOC).....	3
3-Bar Spike Tooth Flex Harrow	4, 5
5-Bar Spike Tooth Flex Harrow	6, 7
Part Number Page Reference	8

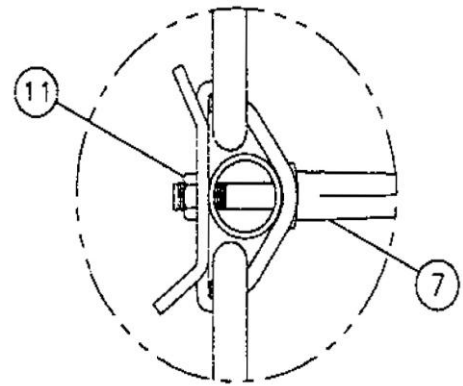
3-BAR Spike Tooth Flex Harrow

[Back to TOC](#)



DETAIL 'A'

1/2" HIGH LEG OF 455-003 IS TO BE TOWARDS FRONT OF IMPLEMENT



DETAIL 'B'

(TYP ~ 2 PLCS)

3-BAR Spike Tooth Flex Harrow

3-BAR (1303-005) 5 - FT. SECTION			
Item #	Part No.	Description	Qty
1	0455-001	Link	4
2	0455-002	Clamp	6
3	0455-003	Bar Mount	6
4	0455-007	Pull	4
5	0455-008	Tooth Mount, Front	1
6	0455-009	Tooth Mount, Rear	2
7	5952-623	Harrow Tooth, 1/2" x 2-1/2"	2
8	5952-624	Harrow Tooth, 1/2" x 2"	19
9	7113-113	Cap screw, 1/2" NC x 2-3/4"	4
10	7723-015	Hex Nut, 1/2"	19
11	7723-101	Centerlock Hex Nut, 1/2"	6
12	7843-015	Lock washer, 1/2"	19

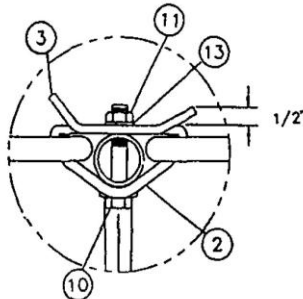
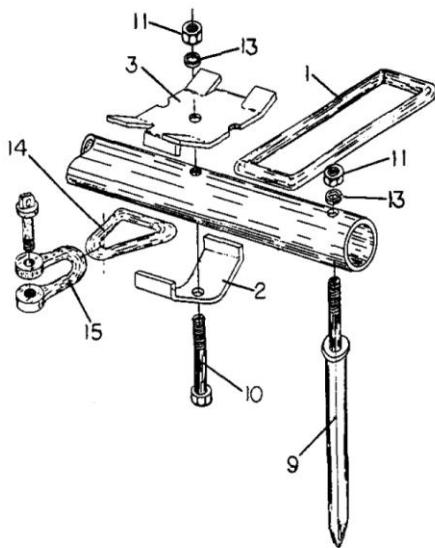
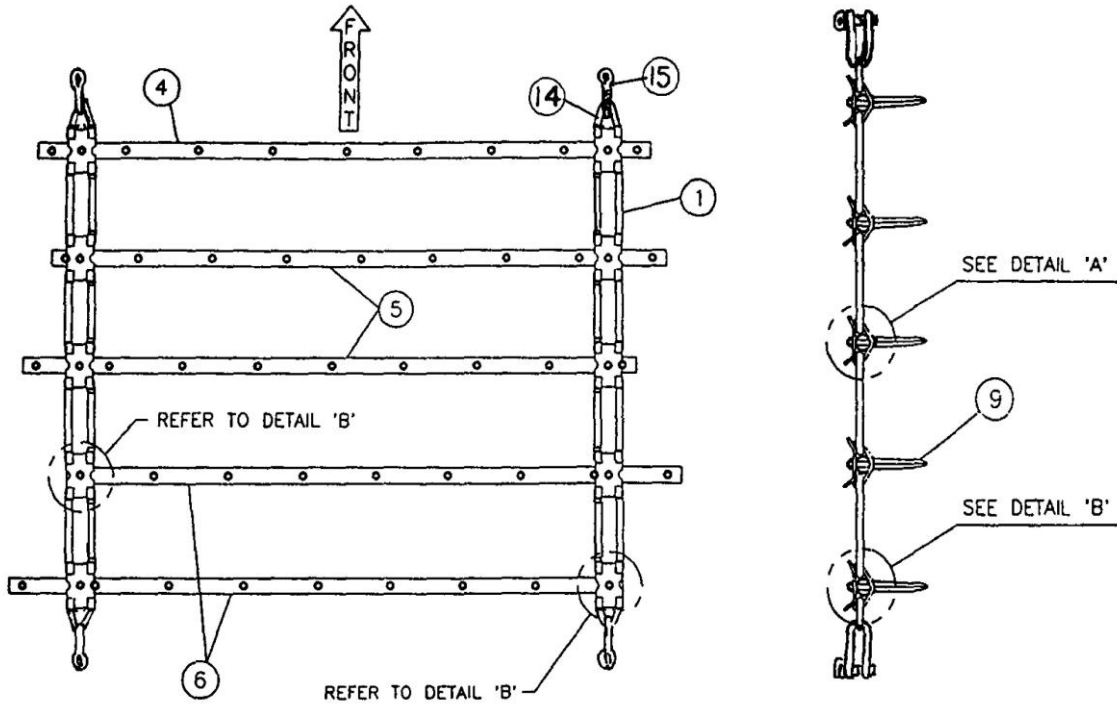
3-BAR (1303-055) 5-1/2 - FT. SECTION			
Item #	Part No.	Description	Qty
1	0455-001	Link	4
2	0455-002	Clamp	6
3	0455-003	Bar Mount	6
4	0455-007	Pull	4
5	0455-010	Tooth Mount, Front	1
6	0455-011	Tooth Mount, Rear	2
7	5952-623	Harrow Tooth, 1/2" x 2-1/2"	2
8	5952-624	Harrow Tooth, 1/2" x 2"	22
9	7113-113	Cap screw, 1/2" NC x 2-3/4"	4
10	7723-015	Hex Nut, 1/2"	22
11	7723-101	Centerlock Hex Nut, 1/2"	6
12	7843-015	Lock washer, 1/2"	22

3-BAR (1303-006) 6 - FT. SECTION			
Item #	Part No.	Description	Qty
1	0455-001	Link	4
2	0455-002	Clamp	6
3	0455-003	Bar Mount	6
4	0455-007	Pull	4
5	0455-012	Tooth Mount, Front	1
6	0455-013	Tooth Mount, Rear	2
7	5952-623	Harrow Tooth, 1/2" x 2-1/2"	2
8	5952-624	Harrow Tooth, 1/2" x 2"	25
9	7113-113	Cap screw, 1/2" NC x 2-3/4"	4
10	7723-015	Hex Nut, 1/2"	25
11	7723-101	Centerlock Hex Nut, 1/2"	6
12	7843-015	Lock washer, 1/2"	25

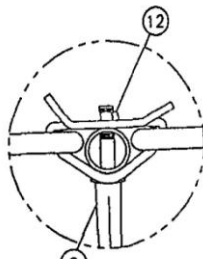
3-BAR (1303-007) 7 - FT. SECTION			
Item #	Part No.	Description	Qty
1	0455-001	Link	4
2	0455-002	Clamp	6
3	0455-003	Bar Mount	6
4	0455-007	Pull	4
5	0455-014	Tooth Mount, Front	1
6	0455-015	Tooth Mount, Rear	2
7	5952-623	Harrow Tooth, 1/2" x 2-1/2"	2
8	5952-624	Harrow Tooth, 1/2" x 2"	28
9	7113-113	Cap screw, 1/2" NC x 2-3/4"	4
10	7723-015	Hex Nut, 1/2"	28
11	7723-101	Centerlock Hex Nut, 1/2"	6
12	7843-015	Lock washer, 1/2"	28

5-BAR Spike Tooth Flex Harrow

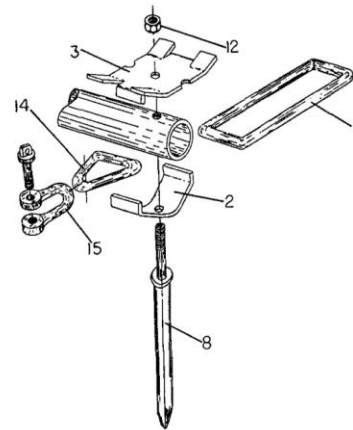
[Back to TOC](#)



DETAIL 'A'
1/2" HIGH LEG OF 455-003 IS TO BE TOWARDS FRONT OF IMPLEMENT



DETAIL 'B'
(TYP ~ 2 PLCS)



5-BAR Spike Tooth Flex Harrow

5-BAR (1305-005) 5 - FT. SECTION			
Item #	Part No.	Description	Qty
1	0455-001	Link	8
2	0455-002	Clamp	10
3	0455-003	Bar Mount	10
4	0455-019	Tooth Mount, Front	1
5	0455-020	Tooth Mount, Center	2
6	0455-021	Tooth Mount, Rear	2
7	0455-007	Pull	4
8	5952-623	Harrow Tooth, 1/2" x 2-1/2"	2
9	5952-624	Harrow Tooth, 1/2" x 2"	33
10	7113-113	Cap screw, 1/2" NC x 2-3/4"	8
11	7723-015	Hex Nut, 1/2"	33
12	7723-101	Centerlock Hex Nut, 1/2"	10
13	7843-015	Lock washer, 1/2"	33
14	7990-300	D-Ring	4
15	7990-350	Shackle	4

5-BAR (1305-055) 5-1/2 - FT. SECTION			
Item #	Part No.	Description	Qty
1	0455-001	Link	8
2	0455-002	Clamp	10
3	0455-003	Bar Mount	10
4	0455-016	Tooth Mount, Front	1
5	0455-017	Tooth Mount, Center	2
6	0455-018	Tooth Mount, Rear	2
7	0455-007	Pull	4
8	5952-623	Harrow Tooth, 1/2" x 2-1/2"	2
9	5952-624	Harrow Tooth, 1/2" x 2"	38
10	7113-113	Cap screw, 1/2" NC x 2-3/4"	8
11	7723-015	Hex Nut, 1/2"	38
12	7723-101	Centerlock Hex Nut, 1/2"	10
13	7843-015	Lock washer, 1/2"	38
14	7990-300	D-Ring	4
15	7990-350	Shackle	4

5-BAR (1305-006) 6 - FT. SECTION			
Item #	Part No.	Description	Qty
1	0455-001	Link	8
2	0455-002	Clamp	10
3	0455-003	Bar Mount	10
4	0455-004	Tooth Mount, Front	1
5	0455-005	Tooth Mount, Center	2
6	0455-006	Tooth Mount, Rear	2
7	0455-007	Pull	4
8	5952-623	Harrow Tooth, 1/2" x 2-1/2"	2
9	5952-624	Harrow Tooth, 1/2" x 2"	43
10	7113-113	Cap screw, 1/2" NC x 2-3/4"	8
11	7723-015	Hex Nut, 1/2"	43
12	7723-101	Centerlock Hex Nut, 1/2"	10
13	7843-015	Lock washer, 1/2"	43
14	7990-300	D-Ring	4
15	7990-350	Shackle	4

5-BAR (1305-007) 7 - FT. SECTION			
Item #	Part No.	Description	Qty
1	0455-001	Link	8
2	0455-002	Clamp	10
3	0455-003	Bar Mount	10
4	0455-022	Tooth Mount, Front	1
5	0455-023	Tooth Mount, Center	2
6	0455-024	Tooth Mount, Rear	2
7	0455-007	Pull	4
8	5952-623	Harrow Tooth, 1/2" x 2-1/2"	2
9	5952-624	Harrow Tooth, 1/2" x 2"	48
10	7113-113	Cap screw, 1/2" NC x 2-3/4"	8
11	7723-015	Hex Nut, 1/2"	48
12	7723-101	Centerlock Hex Nut, 1/2"	10
13	7843-015	Lock washer, 1/2"	48
14	7990-300	D-Ring	4
15	7990-350	Shackle	4

Part Number Page Reference

[Back to TOC](#)

PART NO.	DESCRIPTION	PAGE NO.
0455-001	Link	4, 6
0455-002	Clamp	4, 6
0455-003	Bar Mount	4, 6
0455-004	Tooth Mount, Front	6
0455-005	Tooth Mount, Center	6
0455-006	Tooth Mount, Rear	6
0455-007	Pull	4, 6
0455-008	Tooth Mount, Front	4
0455-009	Tooth Mount, Rear	4
0455-010	Tooth Mount, Front	4
0455-011	Tooth Mount, Rear	4
0455-012	Tooth Mount, Front	4
0455-013	Tooth Mount, Rear	4
0455-014	Tooth Mount, Front	4
0455-015	Tooth Mount, Rear	4
0455-016	Tooth Mount, Front	6
0455-017	Tooth Mount, Center	6
0455-018	Tooth Mount, Rear	6
0455-019	Tooth Mount, Front	6
0455-020	Tooth Mount, Center	6
0455-021	Tooth Mount, Rear	6
0455-022	Tooth Mount, Front	6
0455-023	Tooth Mount, Center	6
0455-024	Tooth Mount, Rear	6
5952-623	Harrow Tooth, 1/2" x 2-1/2"	4, 6
5952-624	Harrow Tooth, 1/2" x 2"	4, 6
7113-113	Cap screw, 1/2" NC x 2-3/4"	4, 6
7723-015	Hex Nut, 1/2"	4, 6
7723-101	Centerlock Hex Nut, 1/2"	4, 6
7843-015	Lock washer, 1/2"	4, 6
7990-300	D-Ring	6
7990-350	Shackle	6

