

J.E. LOVE COMPANY

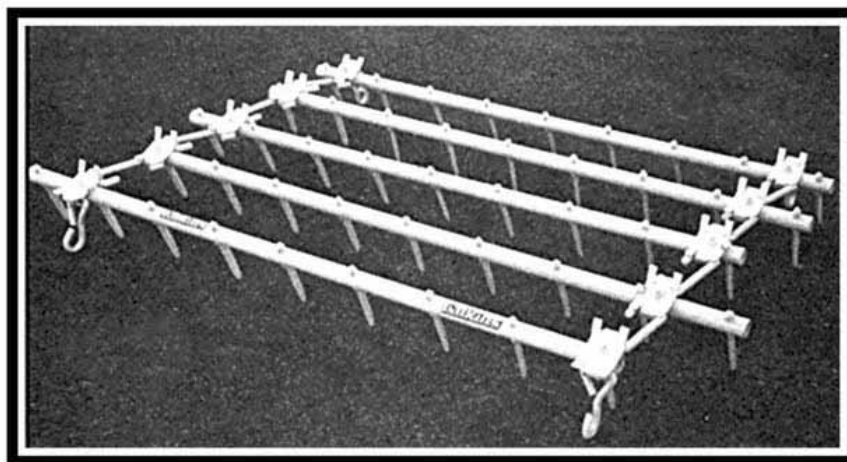
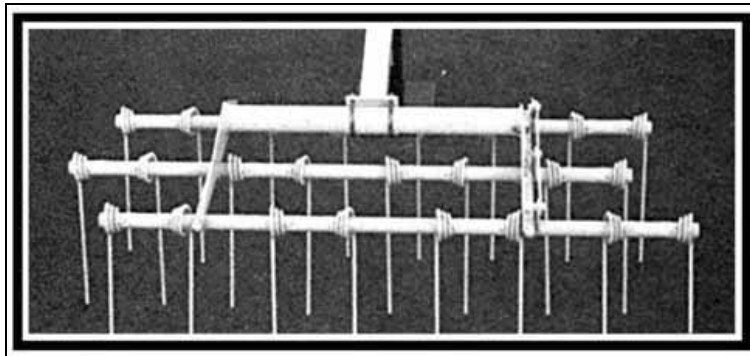
*Productivity Through Innovation
Since 1932*

LOVE[®]

jeloveco.com

P.O. Box 188, 309 W. California Street, Garfield, WA 99130 Phone: (509) 635-1321 Fax: (509) 635-1434

Flex and Tine Harrow Parts and Assembly



CAUTION

BLOCK SECURELY

Do not place yourself under any equipment suspended hydraulically, with mechanical stops, jacks or hoists, without blocking securely.

Make sure machine cannot roll.

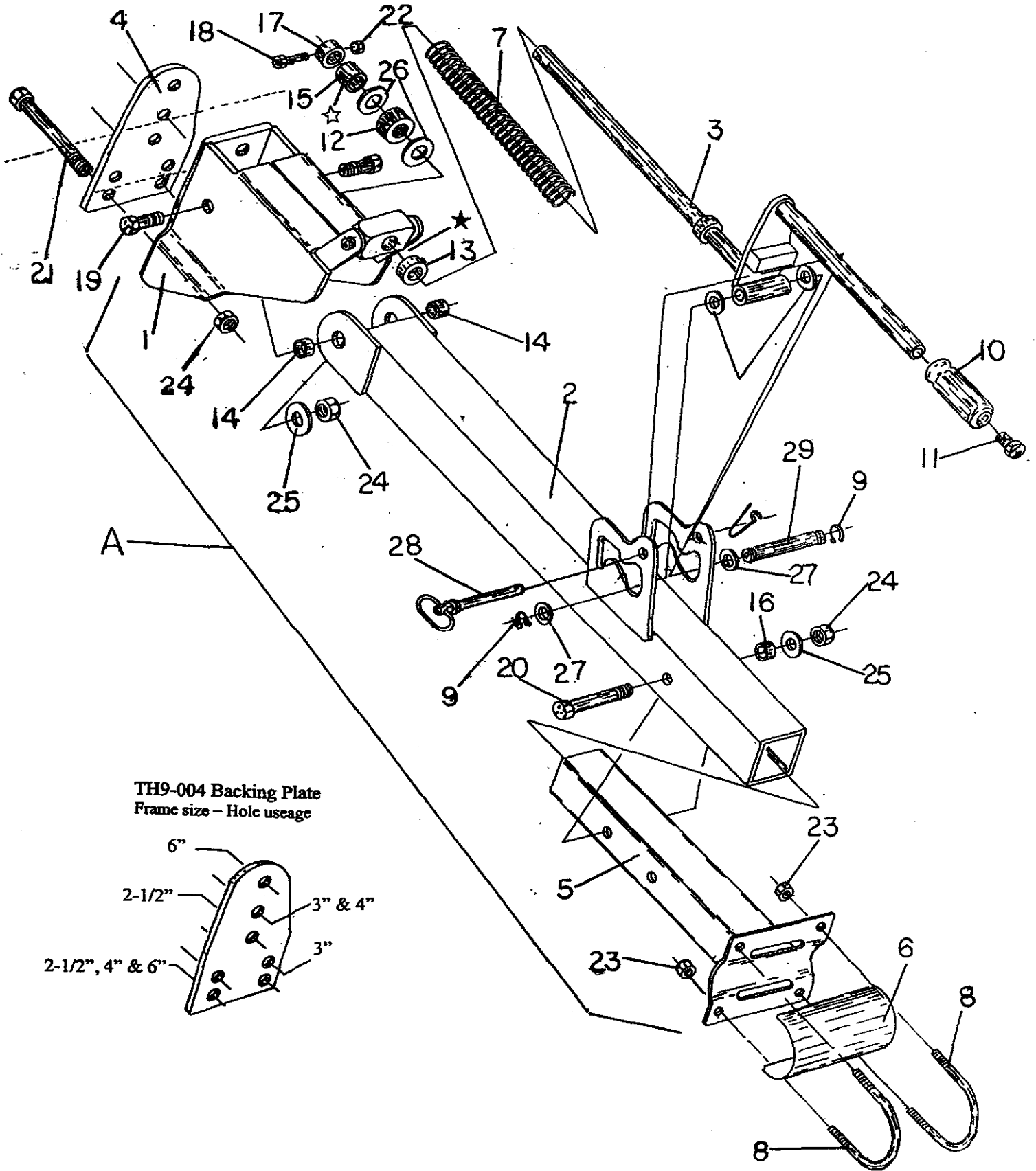
Table of Contents

Title	Page
Caution / Warning	-
Table of contents -----	1
Tine harrow carrier arm assembly -----	2, 3
Section carrier assembly -----	4, 5
Harrow extension -----	6, 7
Part number page reference section -----	A-1 thru A-3
3 Bar Spike Tooth Flex Harrow	B1
5 Bar Spike Tooth Flex Harrow	B2

Mounted tine Harrow

Spike Tooth Flex Harrow

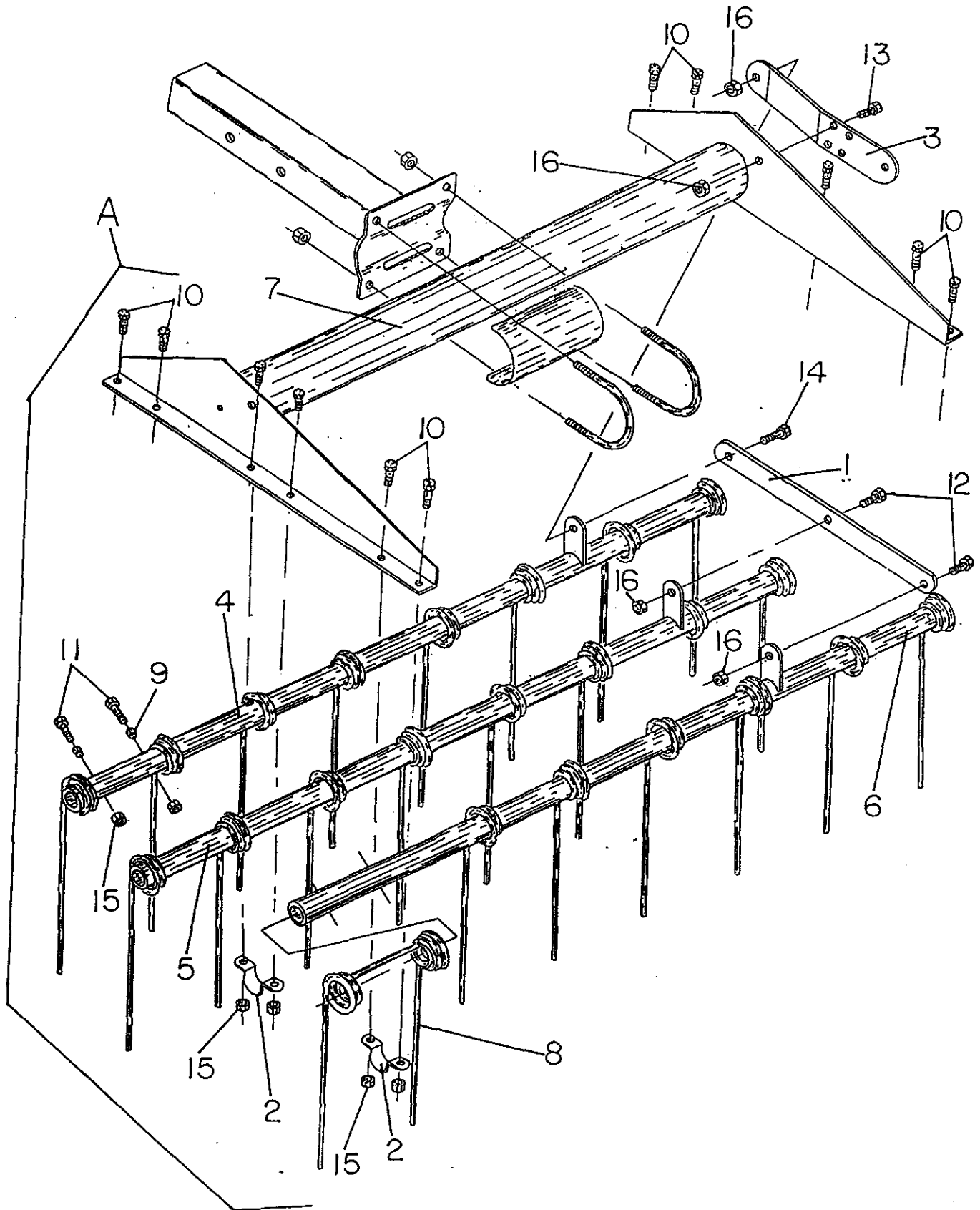
Tine harrow carrier arm assembly



Tine harrow carrier arm assembly

Key	Part No.	Description
A	TH9-550	Tine harrow carrier arm assembly
Not all components illustrated are included in the assembly		
1	TH9-001	Carrier arm mount
2	TH9-002	Upper carrier arm
3	TH9-003	Handle
4	TH9-004	Backing plate
5	TH9-005	Lower carrier arm mount
6	0450-011	Clamp
7	5111-001	Spring
8	5213-010	U-Bolt, 1/2"NC
9	5459-075	Snap Ring, 3/4"
10	5461-004	Black foam grip
11	5461-005	Black finishing plug
12	5461-006	Polyurethane washer
13	5486-075	Shaft collar, 3/4"
14	6143-007	Bushing, 1"OD x 0.64"ID x 0.563"
15	6143-055	Bushing, 1.25"OD x 0.76"ID x 1"
Note: ☆ Bushing location for cultivators & weeders		
★ Bushing location for plows		
16	6144-001	Bushing, 1"OD x 0.64"ID x 0.4375"
17	6486-075	Shaft collar, 3/4", cross drilled
18	7111-023	Cap screw, 5/16"NC x 1-1/2"
19	7114-006	Cap screw, 5/8"NC x 1-3/4"
20	7114-040	Cap screw, 5/8"NC x 4"
21	7114-045	Cap screw, 5/8"NC x 4-1/2"
	7114-060	Cap screw, 5/8"NC x 6"
22	7721-008	Lock nut, 5/16"NC
23	7723-216	Lock nut, 1/2"NC
24	7724-120	Lock nut, 5/8"NC
25	7814-015	Flat washer, 5/8"
26	7815-016	Flat washer, 3/4"
27	7895-101	Machine bushing, 3/4" x 14 Ga. WR
28	7920-012	Hitch pin, 1/2" x 4", W/ Safety pin
29	8025-004	Shaft, 3/4" x 4-5/16"

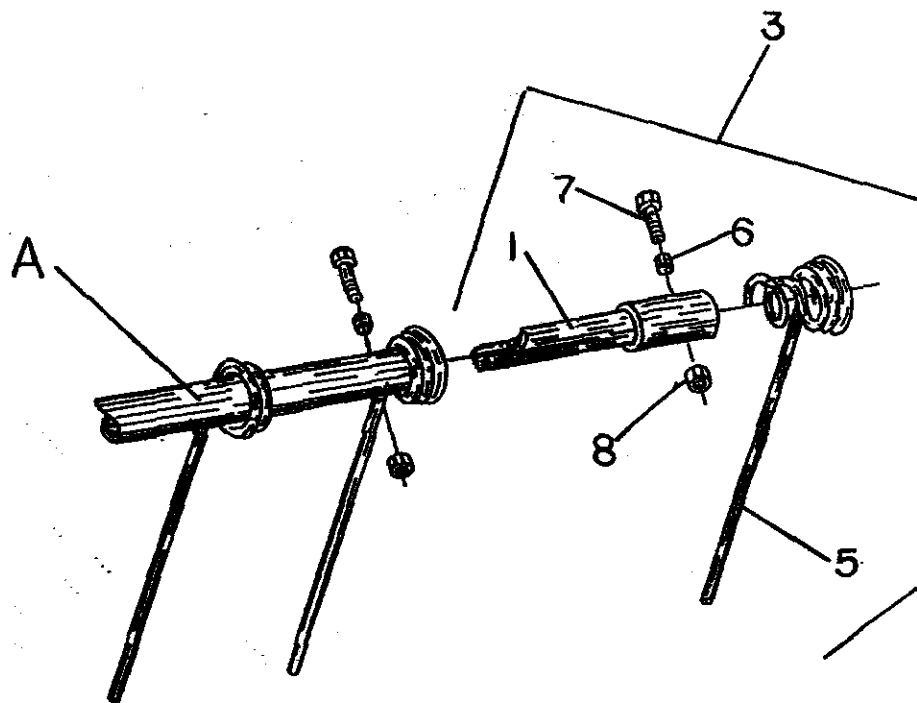
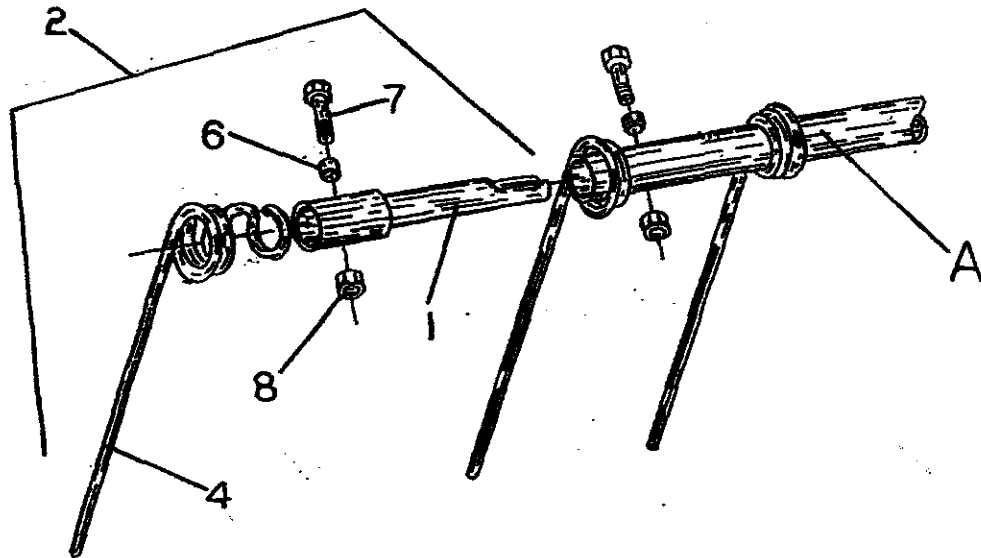
Section carrier assembly



Section carrier assembly

Key	Part No.	Description	
A	0450-501	Section carrier assembly, 4-1/2 Ft. W/ Straight tines	
	0450-502	Section carrier assembly, 6 Ft. W/ Straight tines	
	0450-503	Section carrier assembly, 4-1/2 Ft. Bent tines	
	0450-504	Section carrier assembly, 6 Ft. Bent tines	
1	0450-004	Actuator strap	
2	0450-005	Clamp	
3	0450-006	Adjustment link	
4	0450-008	Forward tine mount, 4-1/2 Ft. less tines	
	0450-530	Forward tine mount, 4-1/2 Ft. W/ Straight tines	
	0450-536	Forward tine mount, 4-1/2 Ft. W/ Bent tines	
	0450-015	Forward tine mount, 6 Ft. less tines	
	0450-533	Forward tine mount, 6 Ft. W/ Straight tines	
	0450-539	Forward tine mount, 6 Ft. W/ Bent tines	
	5	0450-009	Center tine mount, 4-1/2 Ft. less tines
		0450-531	Center tine mount, 4-1/2 Ft. W/ Straight tines
0450-537		Center tine mount, 4-1/2 Ft. W/ Bent tines	
0450-016		Center tine mount, 6 Ft. less tines	
0450-534		Center tine mount, 6 Ft. W/ Straight tines	
0450-540		Center tine mount, 6 Ft. W/ Bent tines	
6	0450-010	Rear tine mount, 4-1/2 Ft. less tines	
	0450-532	Rear tine mount, 4-1/2 Ft. W/ Straight tines	
	0450-538	Rear tine mount, 4-1/2 Ft. W/ Bent tines	
	0450-017	Rear tine mount, 6 Ft. less tines	
	0450-535	Rear tine mount, 6 Ft. W/ straight tines	
	0450-541	Rear tine mount, 6 Ft. W/ Bent tines	
7	0450-012	Section carrier, 4-1/2Ft.	
	0450-014	Section carrier, 6 Ft	
8	5952-620	Double torsion harrow tine, straight	
	6952-620	Double torsion harrow tine, bent	
9	6132-003	Bushing, 0.54"OD x 0.39"ID x 0.25"	
10	7112-050	Cap screw, 3/8"NC x 1"	
11	7112-066	Cap screw, 3/8"NC x 2-1/2"	
12	7113-100	Cap screw, 1/2 "NC x 1"	
13	7113-101	Cap screw, 1/2 "NC x 1-1/4"	
14	7113-102	Cap screw, 1/2 "NC x 1-1/2"	
15	7722-110	Lock nut, 3/8"NC	
16	7723-216	Lock nut, 1/2"NC	

Harrow Extension



Harrow Extension

Key	Part No.	Description
A		Existing Harrow
1	0450-032	Tine mount extension
2	0450-506	Harrow extension assembly, LH, W/bent tine
	0450-508	Harrow extension assembly, LH, W/straight tine
3	0450-507	Harrow extension assembly, RH, W/bent tine
	0450-509	Harrow extension assembly, RH, W/straight tine
4	5952-621	Single torsion straight tine, LH
	6952-621	Single torsion bent tine, LH
5	5952-622	Single torsion straight tine, RH
	6952-622	Single torsion bent tine, RH
6	6132-003	Bushing, 0.54"OD x 0.39"ID x 0.25"
7	7112-066	Cap screw, 3/8"NC x 2-1/2"
8	7722-110	Lock Nut, 3/8"NC

Part number page reference

Part No.	Description	Page No.
TH9-001	Carrier arm mount	3
TH9-002	Upper carrier arm	3
TH9-003	Handle	3
TH9-004	Backing plate	3
TH9-005	Lower carrier arm mount	3
TH9-550	Tine harrow carrier arm assembly	3
0450-004	Actuator strap	5
0450-005	Clamp	5
0450-006	Adjustment link	5
0450-008	Forward tine mount, 4-1/2 Ft., Less tines	5
0450-009	Center tine mount, 4-1/2Ft., Less tines	5
0450-010	Rear tine mount, 4-1/2Ft., 4-1/2Ft., Less tines	5
0450-011	Clamp	3
0450-012	Section carrier, 4-1/2Ft.	5
0450-014	Section carrier, 6Ft.	5
0450-015	Forward tine mount, 6Ft., Less tines	5
0450-016	Center tine mount, 6Ft., Less tines	5
0450-017	Rear tine mount, 6Ft., Less tines	5
0450-032	Tine mount extension	7
0450-501	Section carrier assy., 4-1/2Ft. W/Straight tines	5
0450-502	Section carrier assy., 6Ft., W/Straight tines	5
0450-503	Section carrier assy., 4-1/2Ft., W/Bent tines	5
0450-504	Section carrier assy., 6Ft., W/Bent tines	5
0450-506	Harrow extension assy., LH, W/Bent tines	7
0450-507	Harrow extension assy., RH, W/Bent tines	7
0450-508	Harrow extension assy., LH, W/Straight tines	7
0450-509	Harrow extension assy., RH, W/Straight tines	7

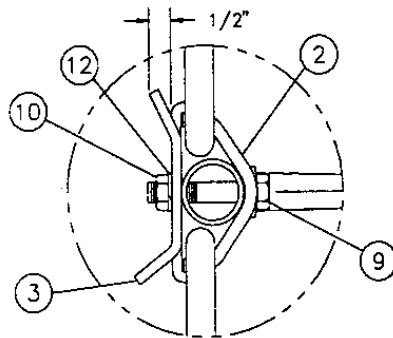
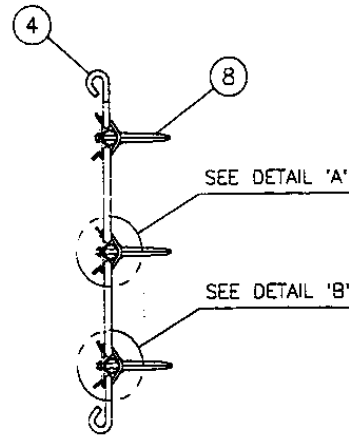
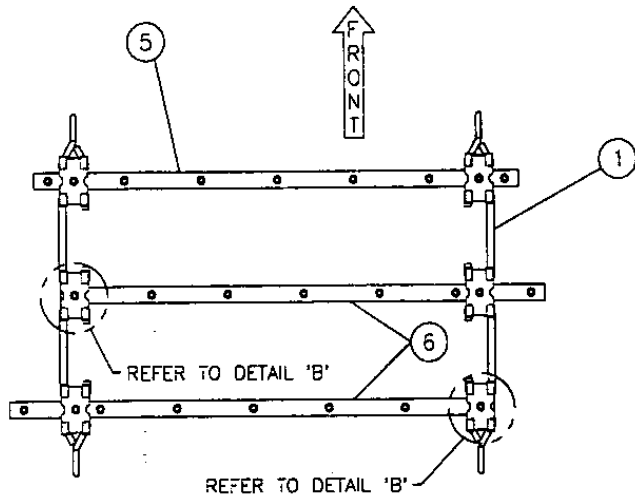
Part number page reference

Part No.	Description	Page No.
0450-530	Forward tine mount, 4-1/2Ft., W/Straight tines	5
0450-531	Center tine mount, 4-1/2Ft., W/Straight tines	5
0450-532	Rear tine mount, 4-1/2Ft., W/Straight tines	5
0450-533	Forward tine mount, 6Ft., W/Straight tines	5
0450-534	Center tine mount, 6Ft., W/Straight tines	5
0450-535	Rear tine mount, 6Ft., W/Straight tines	5
0450-536	Forward tine mount, 4-1/2Ft., W/Bent tines	5
0450-537	Center tine mount, 4-1/2Ft., W/Bent tines	5
0450-538	Rear tine mount, 4-1/2Ft., W/Bent tines	5
0450-539	Forward tine mount, 6Ft., W/Bent tines	5
0450-540	Center tine mount, 6Ft., W/Bent tines	5
0450-541	Rear tine mount, 6Ft., W/Bent tines	5
5111-001	Spring	3
5213-010	U-Bolt, 1/2"NC	3
5459-075	Snap Ring, 3/4"	3
5461-004	Black foam grip	3
5461-005	Black finish plug	3
5461-006	Polyurethane washer	3
5486-075	Shaft collar, 3/4"	3
5952-620	Double torsion harrow tine, Straight	5
5952-621	Single torsion harrow tine, LH, Straight	7
5952-622	Single torsion harrow tine, RH, Straight	7
6132-003	Bushing, 0.54"OD x 0.39"ID x 0.25"	5, 7
6143-007	Bushing, 1.00"OD x 0.64"ID x 0.563"	3
6143-055	Bushing, 1.25"OD x 0.76"ID x 1.00"	3
6144-001	Bushing, 1.00"OD x 0.64"ID x 0.4375"	3
6486-075	Shaft collar, 3/4", Cross drilled	3
6952-620	Double torsion harrow tine, Bent	5
6952-621	Single torsion harrow tine, LH, Bent	7
6952-622	Single torsion harrow tine, RH, Bent	7

Part number page reference

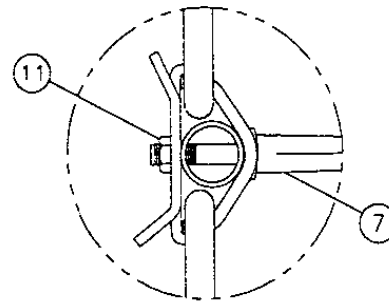
Part No.	Description	Page No.
7111-023	Cap screw, 5/16"NC x 1-1/2"	3
7112-050	Cap screw, 3/8"NC x 1"	5
7112-066	Cap screw, 3/8"NC x 2-1/2"	5, 7
7113-100	Cap screw, 1/2"NC x 1"	5
7113-101	Cap screw, 1/2"NC x 1-1/4"	5
7113-102	Cap screw, 1/2"NC x 1-1/2"	5
7114-006	Cap screw, 5/8"NC x 1-3/4"	3
7114-040	Cap screw, 5/8"NC x 4"	3
7114-045	Cap screw, 5/8"NC x 4-1/2"	3
7114-060	Cap screw, 5/8"NC x 6"	3
7721-008	Lock nut, 5/16"NC	3
7722-110	Lock nut, 3/8"NC	5, 7
7723-216	Lock nut, 1/2"NC	3, 5
7724-120	Lock nut, 5/8"NC	3
7814-015	Flat washer, 5/8"	3
7815-016	Flat washer, 3/4"	3
7895-101	Machine bushing, 3/4" x 14Ga., WR	3
7920-012	Hitch pin, 1/2" x 4", W/Safety pin	3
8025-004	Shaft, 3/4" x 4-5/16"	3

3 BAR SPIKE TOOTH FLEX HARROW



DETAIL 'A'

1/2" HIGH LEG OF 455-003 IS TO BE TOWARDS FRONT OF IMPLEMENT



DETAIL 'B'

(TYP ~ 2 PLCS)

1303-005 5FT. SECTION

REF. No.	PART NUMBER	DESCRIPTION	QTY.
1	455-001	LINK	4
2	455-002	CLAMP	6
3	455-003	BAR MOUNT	6
4	455-007	PULL	4
5	455-008	TOOTH MOUNT, FRONT	1
6	455-009	TOOTH MOUNT, REAR	2
7	5-952-624	1/2" x 2-1/2" HARROW TOOTH	2
8	5-952-624	1/2" x 2" HARROW TOOTH	19
9	7-113-113	1/2" NC x 2-3/4" CAP SCREW	4
10	7-723-015	1/2" HEX NUT	19
11	7-723-101	1/2" CENTERLOCK HEX NUT	6
12	7-843-015	1/2" LOCK WASHER	19

1303-055 5-1/2FT. SECTION

REF. No.	PART NUMBER	DESCRIPTION	QTY.
1	455-001	LINK	4
2	455-002	CLAMP	6
3	455-003	BAR MOUNT	6
4	455-007	PULL	4
5	455-010	TOOTH MOUNT, FRONT	1
6	455-011	TOOTH MOUNT, REAR	2
7	5-952-624	1/2" x 2-1/2" HARROW TOOTH	2
8	5-952-624	1/2" x 2" HARROW TOOTH	22
9	7-113-113	1/2" NC x 2-3/4" CAP SCREW	4
10	7-723-015	1/2" HEX NUT	22
11	7-723-101	1/2" CENTERLOCK HEX NUT	6
12	7-843-015	1/2" LOCK WASHER	22

1303-006 6FT. SECTION

REF. No.	PART NUMBER	DESCRIPTION	QTY.
1	455-001	LINK	4
2	455-002	CLAMP	6
3	455-003	BAR MOUNT	6
4	455-007	PULL	4
5	455-012	TOOTH MOUNT, FRONT	1
6	455-013	TOOTH MOUNT, REAR	2
7	5-952-624	1/2" x 2-1/2" HARROW TOOTH	2
8	5-952-624	1/2" x 2" HARROW TOOTH	25
9	7-113-113	1/2" NC x 2-3/4" CAP SCREW	4
10	7-723-015	1/2" HEX NUT	25
11	7-723-101	1/2" CENTERLOCK HEX NUT	6
12	7-843-015	1/2" LOCK WASHER	25

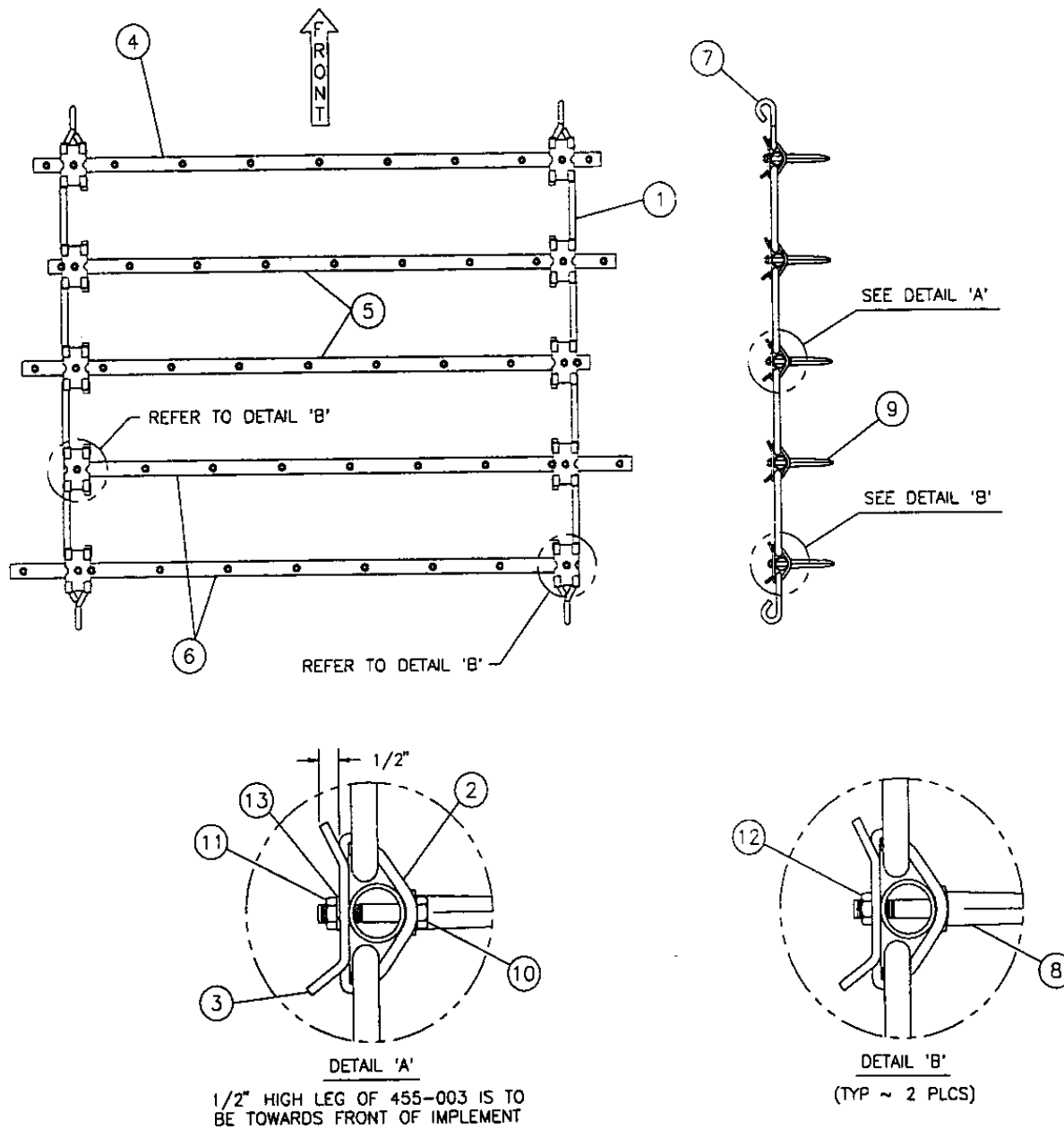
1303-007 7FT. SECTION

REF. No.	PART NUMBER	DESCRIPTION	QTY.
1	455-001	LINK	4
2	455-002	CLAMP	6
3	455-003	BAR MOUNT	6
4	455-007	PULL	4
5	455-014	TOOTH MOUNT, FRONT	1
6	455-015	TOOTH MOUNT, REAR	2
7	5-952-624	1/2" x 2-1/2" HARROW TOOTH	2
8	5-952-624	1/2" x 2" HARROW TOOTH	28
9	7-113-113	1/2" NC x 2-3/4" CAP SCREW	4
10	7-723-015	1/2" HEX NUT	28
11	7-723-101	1/2" CENTERLOCK HEX NUT	6
12	7-843-015	1/2" LOCK WASHER	28

J.E. LOVE COMPANY

LOVE

5 BAR SPIKE TOOTH FLEX HARROW



1305-005 5FT. SECTION			
REF. No.	PART NUMBER	DESCRIPTION	QTY.
1	455-001	LINK	8
2	455-002	CLAMP	10
3	455-003	BAR MOUNT	10
4	455-019	TOOTH MOUNT, FRONT	1
5	455-020	TOOTH MOUNT, CENTER	2
6	455-021	TOOTH MOUNT, REAR	2
7	455-007	PULL	4
8	5-952-623	1/2" x 2-1/2" HARROW TOOTH	2
9	5-952-624	1/2" x 2" HARROW TOOTH	43
10	7-113-113	1/2" NC x 2-3/4" CAP SCREW	8
11	7-723-015	1/2" HEX NUT	43
12	7-723-101	1/2" CENTERLOCK HEX NUT	10
13	7-843-015	1/2" LOCK WASHER	43

1305-055 5-1/2FT. SECTION			
REF. No.	PART NUMBER	DESCRIPTION	QTY.
1	455-001	LINK	8
2	455-002	CLAMP	10
3	455-003	BAR MOUNT	10
4	455-016	TOOTH MOUNT, FRONT	1
5	455-017	TOOTH MOUNT, CENTER	2
6	455-018	TOOTH MOUNT, REAR	2
7	455-007	PULL	4
8	5-952-623	1/2" x 2-1/2" HARROW TOOTH	2
9	5-952-624	1/2" x 2" HARROW TOOTH	43
10	7-113-113	1/2" NC x 2-3/4" CAP SCREW	8
11	7-723-015	1/2" HEX NUT	43
12	7-723-101	1/2" CENTERLOCK HEX NUT	10
13	7-843-015	1/2" LOCK WASHER	43

1305-006 6FT. SECTION			
REF. No.	PART NUMBER	DESCRIPTION	QTY.
1	455-001	LINK	8
2	455-002	CLAMP	10
3	455-003	BAR MOUNT	10
4	455-004	TOOTH MOUNT, FRONT	1
5	455-005	TOOTH MOUNT, CENTER	2
6	455-006	TOOTH MOUNT, REAR	2
7	455-007	PULL	4
8	5-952-623	1/2" x 2-1/2" HARROW TOOTH	2
9	5-952-624	1/2" x 2" HARROW TOOTH	43
10	7-113-113	1/2" NC x 2-3/4" CAP SCREW	8
11	7-723-015	1/2" HEX NUT	43
12	7-723-101	1/2" CENTERLOCK HEX NUT	10
13	7-843-015	1/2" LOCK WASHER	43

1305-007 7FT. SECTION			
REF. No.	PART NUMBER	DESCRIPTION	QTY.
1	455-001	LINK	8
2	455-002	CLAMP	10
3	455-003	BAR MOUNT	10
4	455-022	TOOTH MOUNT, FRONT	1
5	455-023	TOOTH MOUNT, CENTER	2
6	455-024	TOOTH MOUNT, REAR	2
7	455-007	PULL	4
8	5-952-623	1/2" x 2-1/2" HARROW TOOTH	2
9	5-952-624	1/2" x 2" HARROW TOOTH	43
10	7-113-113	1/2" NC x 2-3/4" CAP SCREW	8
11	7-723-015	1/2" HEX NUT	43
12	7-723-101	1/2" CENTERLOCK HEX NUT	10
13	7-843-015	1/2" LOCK WASHER	43

